



AT Commands Interface Guide for 6.57 Release

Revision: 004
Date: November 2006



wavocom[®]
Make it wireless

AT Commands Interface Guide for 6.57 Release


Revision 004

Date November 6, 2006

Reference WM_ASW_OAT_UGD_00044

AT Commands Interface Guide for 6.57 Release

Trademarks

®, WAVECOM®, WISMO®, Open AT® and certain other trademarks and logos appearing on this document, are filed or registered trademarks of Wavecom S.A. in France or in other countries. All other company and/or product names mentioned may be filed or registered trademarks of their respective owners.

Copyright

This manual is copyrighted by WAVECOM with all rights reserved. No part of this manual may be reproduced in any form without the prior written permission of WAVECOM.

No patent liability is assumed with respect to the use of the information contained herein.

AT Commands Interface Guide for 6.57 Release

Overview

The aim of this document is to provide Wavecom customers with a full description of the AT commands associated with 6.57 AT software release. This is the first release of the document for this software revision .

Disclaimer

WAVECOM reminds its Clients that the use of IMEI numbers is subject to international and local regulation whose respect falls under the liability of the said Client.

WAVECOM therefore disclaims any liability towards its clients and/or third parties regarding any fraudulent, non-conforming or incorrect use and/or misuse of a IMEI number, and reserves its rights to claim compensation for any claim arising from a third party regarding the use of IMEI by the Client.

AT Commands Interface Guide for 6.57 Release

Document History

Revision	Date	History of the evolution	
001	15 July 2004	First edition for X55 AT software.	
002	12 July 2005	Update to fix trackers: <ul style="list-style-type: none">•	
003	October 26 2006	Update for OS 6.57:	
004	November 06, 2006	Update	

AT Commands Interface Guide for 6.57 Release

Contents

1	INTRODUCTION	15
1.1	Scope of this document.....	15
1.2	Related documents.....	15
1.3	ETSI secretariat.....	16
1.4	Abbreviations and Definitions.....	16
1.5	Presentation rules.....	18
2	AT COMMANDS FEATURES	19
2.1	Wavecom line settings.....	19
2.2	Command line	19
2.3	Information responses and result codes	19
3	GENERAL BEHAVIORS	20
3.1	SIM Insertion, SIM Removal	20
3.2	Background initialization.....	21
3.3	Length of phone numbers.....	21
3.4	BAD SOFTWARE message	22
4	GENERAL COMMANDS	23
4.1	Manufacturer identification +CGMI.....	23
4.2	Request model identification +CGMM	24
4.3	Request revision identification +CGMR.....	25
4.4	Product Serial Number +CGSN	25
4.5	Select TE character set +CSCS	26
4.6	Wavecom Phonebook Character Set +WPCS.....	27
4.7	Request IMSI +CIMI	28
4.8	Card Identification +CCID	29
4.9	Capabilities list +GCAP.....	30

AT Commands Interface Guide for 6.57 Release

4.10	Repeat last command A/.....	30
4.11	Power off +CPOF.....	31
4.12	Set phone functionality +CFUN.....	31
4.13	Phone activity status +CPAS	33
4.14	Report Mobile Equipment errors +CMEE	34
4.15	Keypad control +CKPD	35
4.16	Clock Management +CCLK	36
4.17	Alarm Management +CALA.....	37
4.18	Ring Melody Playback +CRMP	38
4.19	Ringer Sound Level +CRSL	40
4.20	Generic SIM Access: +CSIM.....	41
4.21	Restricted SIM access +CRSM	43
4.22	Mobile equipment control mode +CMEC	45
4.23	Indicator control +CIND	47
4.24	Multiplexing mode +CMUX	48
5	CALL CONTROL COMMANDS.....	53
5.1	Dial command D.....	53
5.2	Hang-Up command H.....	57
5.3	Answer a call A	58
5.4	Remote disconnection	58
5.5	Extended error report +CEER	59
5.6	DTMF signals +VTD, +VTS.....	60
5.7	Redial last telephone number ATDL.....	61
5.8	Automatic dialing with DTR AT%Dn	62
5.9	Automatic answer ATSO.....	64
5.10	Incoming Call Bearer +CICB.....	65
5.11	Single Numbering Scheme +CSNS	66
5.12	Gain control +VGR, +VGT	67
5.13	Microphone Mute Control +CMUT	70
5.14	Speaker & Microphone selection +SPEAKER	71
5.15	Echo Cancellation +ECHO.....	71
5.16	Side Tone modification +SIDET	79

AT Commands Interface Guide for 6.57 Release

5.17	Initialize Voice Parameters +VIP.....	80
6	NETWORK SERVICE COMMANDS.....	82
6.1	Signal Quality +CSQ.....	82
6.2	Operator selection +COPS.....	83
6.3	Network registration +CREG.....	87
6.4	Operator List Management +WOLM.....	88
6.5	Read operator name +WOPN.....	90
6.6	Selection of Preferred PLMN list +CPLS.....	94
6.7	Preferred operator list +CPOL.....	95
6.8	Read operator name +COPN.....	98
7	SECURITY COMMANDS.....	100
7.1	Enter PIN +CPIN.....	100
7.2	Enter PIN2 +CPIN2.....	103
7.3	PIN remaining attempt number +CPINC.....	105
7.4	Facility lock +CLCK.....	105
7.5	Change password +CPWD.....	108
8	PHONEBOOK COMMANDS.....	110
8.1	Parameters definition.....	110
8.2	Select phonebook memory storage +CPBS.....	112
8.3	Read phonebook entries +CPBR.....	114
8.4	Write phonebook entry +CPBW.....	117
8.5	Find phonebook entries +CPBF.....	122
8.6	Phonebook phone search +CPBP.....	124
8.7	Move action in phonebook +CPBN.....	126
8.8	Subscriber number +CNUM.....	130
8.9	Avoid phonebook init +WAIP.....	131
8.10	Delete Calls Phonebook +WDCP.....	132
8.11	Set Voice Mail Number +CSVM.....	133
8.12	Contact Selector +WCOS.....	134
8.13	Create and delete a phonebook group +WPGW.....	135

AT Commands Interface Guide for 6.57 Release

8.14	Read a phonebook group +WPGR	136
8.15	Settings of a group +WPGS.....	138
9	SHORT MESSAGES COMMANDS	139
9.1	Parameters definition.....	139
9.2	Select message service +CSMS.....	140
9.3	New Message Acknowledgement +CNMA.....	141
9.4	Preferred Message Storage +CPMS.....	144
9.5	Preferred Message Format +CMGF.....	147
9.6	Save Settings +CSAS	149
9.7	Restore settings +CRES.....	149
9.8	Show text mode parameters +CSDH	150
9.9	New message indication +CNMI	151
9.10	Read message +CMGR.....	154
9.11	List message +CMGL	156
9.12	Send message +CMGS.....	158
9.13	Write Message to Memory +CMGW.....	159
9.14	Send Message From Storage +CMSS.....	161
9.15	Set Text Mode Parameters +CSMP	162
9.16	Delete message +CMGD.....	163
9.17	Service center address +CSCA	165
9.18	Select Cell Broadcast Message Types +CSCB.....	166
9.19	Cell Broadcast Message Identifiers +WCBM.....	168
9.20	Message status modification +WMSC.....	168
9.21	Message overwriting +WMGO	170
9.22	Un-change SMS Status +WUSS.....	171
9.23	Copy Messages +WMCP.....	173
9.24	More Messages to Send +CMMS.....	176
10	SUPPLEMENTARY SERVICES COMMANDS.....	177
10.1	Call forwarding +CCFC	177
10.2	Call barring +CLCK	179
10.3	Modify SS password +CPWD.....	180

AT Commands Interface Guide for 6.57 Release

10.4	Call waiting +CCWA.....	181
10.5	Calling line identification restriction +CLIR.....	183
10.6	Calling line identification presentation +CLIP.....	184
10.7	Connected line identification presentation +COLP.....	185
10.8	Advice of charge +CAOC	187
10.9	Accumulated call meter +CACM.....	188
10.10	Accumulated call meter maximum +CAMM	189
10.11	Price per unit and currency table +CPUC	191
10.12	Call related supplementary services +CHLD.....	192
10.13	List current calls +CLCC	193
10.14	Supplementary service notifications +CSSN	195
10.15	Unstructured supplementary service data +CUSD	197
10.16	Closed user group +CCUG	199
11	DATA COMMANDS	200
11.1	Using AT Commands during a data connection.....	200
11.2	Bearer type selection +CBST	200
11.3	Select mode +FCLASS.....	203
11.4	Service reporting control +CR.....	204
11.5	Cellular result codes +CRC	205
11.6	DTE-DCE local rate reporting +ILRR.....	206
11.7	Radio link protocol parameters +CRLP.....	207
11.8	Others radio link parameters +DOPT	208
11.9	Select data compression %C.....	209
11.10	V42 bis data compression +DS.....	210
11.11	V42 bis data compression report +DR	211
11.12	Select data error correcting mode \N.....	212
12	FAX COMMANDS	213
12.1	Transmit speed +FTM	213
12.2	Receive speed +FRM	214
12.3	HDLC transmit speed +FTH.....	215
12.4	HDLC receive speed +FRH.....	215

AT Commands Interface Guide for 6.57 Release

12.5	Stop transmission and wait +FTS.....	216
12.6	Receive silence +FRS.....	216
12.7	Setting up the PC fax application:.....	217
13	FAX CLASS 2 COMMANDS.....	218
13.1	Transmit Data +FDT.....	218
13.2	Receive Data +FDR.....	218
13.3	Transmit page punctuation +FET.....	219
13.4	Page transfer status parameters +FPTS.....	219
13.5	Terminate Session +FK.....	220
13.6	Page transfer bit order +FBOR.....	220
13.7	Buffer size report +FBUF.....	221
13.8	Copy quality checking +FCQ.....	221
13.9	Capability to receive +FCR.....	222
13.10	Current sessions parameters +FDIS.....	223
13.11	DCE capabilities parameters +FDCC.....	225
13.12	Local ID string +FLID.....	226
13.13	Page transfer timeout parameter +FPHCTO.....	226
13.14	Fax Class 2 indication messages.....	227
14	V24-V25 COMMANDS.....	229
14.1	Fixed DTE rate +IPR.....	229
14.2	DTE-DCE character framing +ICF.....	231
14.3	DTE-DCE local flow control +IFC.....	233
14.4	Set DCD signal &C.....	235
14.5	Set DTR signal &D.....	236
14.6	Set DSR signal &S.....	237
14.7	Back to online mode O.....	237
14.8	Result code suppression Q.....	238
14.9	DCE response format V.....	239
14.10	Default configuration Z.....	240
14.11	Save configuration &W.....	240
14.12	Auto-tests &T.....	241

AT Commands Interface Guide for 6.57 Release

14.13 Echo E	242
14.14 Restore factory settings &F	243
14.15 Display configuration &V.....	243
14.16 Request identification information I	245
14.17 Data / Commands Multiplexing +WMUX	246
15 SPECIFIC AT COMMANDS	248
15.1 Cell environment description +CCED	248
15.2 General Indications +WIND	252
15.3 Analog digital converters measurements +ADC.....	258
15.4 Mobile Equipment event reporting +CMER.....	260
15.5 Read Language Preference +WLPR.....	262
15.6 Write Language Preference +WLPW	263
15.7 Read GPIO value +WIOR.....	264
15.8 Write GPIO value +WIOW.....	265
15.9 Input/Output Management +WIOM.....	266
15.10 Abort command +WAC	271
15.11 Play tone +WTONE.....	272
15.12 Play DTMF tone +WDTMF	275
15.13 Wavecom Downloading +WDWL	276
15.14 Wavecom Voice Rate +WVR	277
15.15 Wavecom Data Rate +WDR.....	280
15.16 Hardware Version +WHWV	282
15.17 Date of Production +WDOP	283
15.18 Wavecom Select Voice Gain +WSVG	284
15.19 Wavecom Status Request +WSTR.....	285
15.20 Wavecom Scan +WSCAN.....	286
15.21 Wavecom Ring Indicator Mode +WRIM.....	287
15.22 Wavecom 32kHz Power down Mode +W32K.....	289
15.23 Wavecom Change Default Melody +WCDM	290
15.24 Wavecom Software version +WSSW.....	291
15.25 Wavecom Custom Character Set +WCCS	291
15.26 Wavecom LoCK +WLCK.....	293

AT Commands Interface Guide for 6.57 Release

15.27 CPHS command: +CPHS	296
15.28 Unsolicited result: Wavecom Voice Mail Indicator: +WVMI.....	300
15.29 Unsolicited result: Wavecom diverted call indicator: +WDCI.....	302
15.30 Wavecom network operator name: +WNON.....	303
15.31 Wavecom CPHS information: +WCPI.....	304
15.32 Wavecom customer service profile: +WCSP	306
15.33 Wavecom Battery Charge Management +WBCM	307
15.34 Unsolicited result: Wavecom Battery Charge Indication +WBCI.....	315
15.35 Features Management +WFM.....	317
15.36 Commercial Features Management +WCFM	322
15.37 Wavecom Customer storage mirror +WMIR	323
15.38 Wavecom Change Default Player +WCDP.....	324
15.39 Wavecom CPHS Mail Box Number: +WMBN.....	325
15.40 Wavecom Alternate Line Service: +WALS.....	326
15.41 Wavecom Open AT® control command +WOPEN	328
15.42 Wavecom Reset +WRST.....	332
15.43 Set Standard Tone +WSST	333
15.44 Wavecom Location +WLOC	334
15.45 Wavecom Bus Read +WBR	337
15.46 Wavecom Bus Write +WBW.....	339
15.47 Wavecom Bus Management +WBM	341
15.48 Wavecom Hang-up +WATH	349
15.49 Write IMEI +WIMEI.....	350
15.50 Write IMEI SVN: +WSVN	352
15.51 Wavecom multi-band selection command: +WMBS.....	353
15.52 Wireless CPU Serial Number +WMSN	354
15.53 Cellular Text telephone Modem +WCTM	355
15.54 Modem Behavior Configuration +WBHV.....	356
15.55 Hardware Configuration AT+WHCNF	361
15.56 Multi-flow Management +WMFM.....	363
15.57 Open AT® tasks resume command +WOPENRES.....	367
15.58 Wavecom Autodiag +WDIAG	368
15.59 Unsolicited result : Wavecom Autodiag +WDIAGI.....	370

AT Commands Interface Guide for 6.57 Release

15.60 +WSHS command.....	375
16 SIM TOOLKIT.....	376
16.1 Overview of SIM Application ToolKit.....	376
16.2 Messages exchanged during a SIM ToolKit operation.....	379
16.3 SIM TOOLKIT COMMANDS.....	380
17 GPRS COMMANDS.....	398
17.1 Define PDP Context +CGDCONT.....	398
17.2 Quality of Service Profile (Requested) +CGQREQ.....	401
17.3 Quality of Service Profile (Minimum acceptable) +CGQMIN.....	405
17.4 GPRS attach or detach +CGATT.....	407
17.5 PDP context activate or deactivate +CGACT.....	408
17.6 Enter data state +CGDATA.....	410
17.7 GPRS mobile station class +CGCLASS.....	411
17.8 Select service for MO SMS messages +CGSMS.....	414
17.9 GPRS event reporting +CGEREP.....	415
17.10 GPRS network registration status +CGREG.....	417
17.11 Request GPRS IP service 'D'.....	418
17.12 Network requested PDP context activation.....	419
17.13 Automatic response to a network request for PDP context activation.....	420
17.14 Manual response to a network request for PDP context activation +CGANS.....	422
17.15 Show PDP address +CGPADDR.....	424
17.16 Cellular result codes +CRC.....	426
17.17 Service reporting control +CR.....	427
17.18 Extended error report +CEER.....	428
17.19 GPRS parameters customization: +WGPRS.....	429
17.20 Full AT GPRS commands examples.....	434
18 OTHER AT COMMANDS.....	436
18.1 V.25 ter recommendation.....	436
18.2 GSM 07.05 recommendation.....	436
18.3 GSM 07.07 recommendation.....	436

AT Commands Interface Guide for 6.57 Release

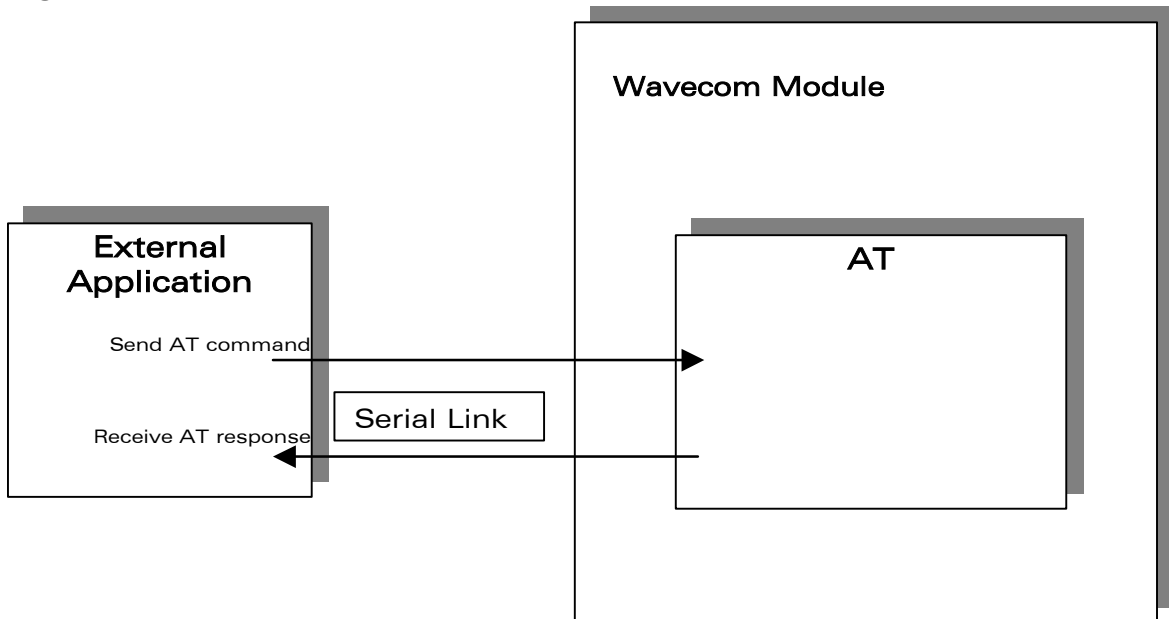
19	CODES AND VALUES	437
20	EXAMPLES	438
21	TECHNICAL APPENDIXES	439
22	COMMAND EXECUTION AND DEPENDENCE TO SIM	440
23	INTEROPERABILITY.....	441
24	ALPHABETICAL INDEX FOR AT COMMANDS AND RESPONSES	442

AT Commands Interface Guide for 6.57 Release

1 Introduction

1.1 Scope of this document

This document describes the AT-command based messages exchanged between an application and the Wavecom products in order to manage GSM related events or services.



1.2 Related documents

This interface specification is based on the following recommendations:

[1] ETSI GSM 07.05: Digital cellular telecommunications system (Phase 2);
Use of DTE-DCE interface for Short Message Service (SMS) and Cell Broadcast
Service (CBS)

[2] ETSI GSM 07.07: Digital cellular telecommunications system (Phase 2);
AT command set for GSM Mobile Equipment (ME)

[3] ITU-T Recommendation V.25 ter: Serial asynchronous automatic dialing and
control

AT Commands Interface Guide for 6.57 Release

[4] ETSI GSM 03.40: Digital cellular telecommunications system (Phase 2);
Technical implementation of the Short Message Service (SMS) Point-to-Point (PP)

[5] ETSI GSM 03.38: Digital cellular telecommunications system (Phase 2);
Alphabets and language-specific information

[6] ETSI GSM 04.80: Digital cellular telecommunications system (Phase 2);
Mobile radio interface layer 3, Supplementary service specification, Formats and coding

[7] 3GPP 05.02: 3rd Generation Partnership Project ; Technical Specification Group
GSM/EDGE- Radio Access Network ; Multiplexing and multiple access on the radio path – 3GPP TS 05.02 V6.9.2 (2001-04)

1.3 ETSI secretariat

The following addresses may be of use in obtaining the latest GSM/GPRS recommendations:

Postal address: F-06921 Sophia Antipolis CEDEX – France

Office address: 650 Route des Lucioles – Sophia Antipolis – Valbonne – France

Web address: <http://www.etsi.org/>

Tel: +33 4 92 94 42 00

Fax: +33 4 93 65 47 16

1.4 Abbreviations and Definitions

1.4.1 Abbreviations

ADN	Abbreviated Dialing Number (Phonebook)
AMR	Adaptive Multi-Rate
AMR-FR	AMR Full Rate (full rate speech version 3)
AMR-HR	AMR Half Rate (half rate speech version 3)
AOC	Advice Of Charge
ASCII	Standard characters table (1 byte coding)
AT	Modem Hayes commands prefix (for "ATtention")
BCCH	Broadcast Channel

AT Commands Interface Guide for 6.57 Release

BER	Bit Error Rate
CLI	Client Line Identification
CSD	(GSM data call)
CTS	Clear To Send signal
CUG	Closed User Group
DTMF	Dual Tone Multi-Frequency
DTR	Data Terminal Ready
EEPROM	Electrically Erasable Programming Only Memory
EFR	Enhanced Full Rate (full rate speech version 2)
E-ONS	Enhanced Operator Name Service
FDN	Fixed Dialing Number (Phonebook)
FR	Full Rate (full rate speech version 1)
GPRS	General Packet Radio Service
GSM	Global System for Mobile communication
HR	Half Rate (half rate speech version 1)
IMEI	International Mobile Equipment Identity
IMSI	International Mobile Subscriber Identity
MCC	Mobile Country Code
ME	Mobile Equipment
MNC	Mobile Network Code
MOC	Mobile Originated Call (outgoing call)
MS	Mobile Station
MTC	Mobile Terminated Call (incoming call)
NITZ	Network Information and Time Zone
OPL	Operator PLMN List
PC	Personal Computer
PIN	Personal Identification Number
PLMN	Public Land Mobile Networks
PNN	PLMN Network Name
PPP	Point-to-Point Protocol
PSTN	Public Switched Telephone Network
PUK	PIN Unlock Key
RIL	Radio Interface Layer
RSSI	Received Signal Strength Indication
RTS	Ready To Send signal
SIM	Subscriber Information Module
SMS	Short Message Service

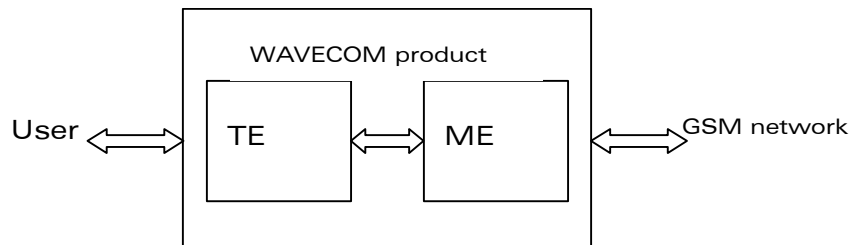
AT Commands Interface Guide for 6.57 Release

SPN	Service Provider Name
TE	Terminal Equipment
UCS2	Characters table (2 bytes coding)
UIH	Unnumbered Information with Header check

1.4.2 Definitions

The words "Mobile Station" (MS) or "Mobile Equipment" (ME) are used for mobile terminals supporting GSM services.

Terminal Equipment is the Man-Machine Interface of a GSM device (modem or handset). A TE can be a handset MMI or the AT command line interface.



A call from a GSM mobile station to the PSTN is called a "mobile originated call" (MOC) or "outgoing call", and a call from a fixed network to a GSM mobile station is called a "mobile terminated call" (MTC) or "incoming call".

In this document, the word "product" refers to any Wavecom product supporting the AT commands interface.

1.5 Presentation rules

In the following, the AT commands are presented with as much precision as possible, through three paragraphs. A "Description" paragraph provides general information on the AT command (or response) behavior. A "Syntax" paragraph describes the way to use it, the possible answers, through a readable format. A "Defined values" paragraph provides parameters values, as well for the AT command as for the corresponding responses.

Schemas are provided where necessary.

2 AT commands features

2.1 Wavecom line settings

A serial link handler is set with the following default values (factory settings):

- speed according to customer choice at order time,
- 8 bits data,
- 1 stop bit,
- no parity,
- RTS/CTS flow control.

Please use the +IPR, +IFC and +ICF commands to change these settings.

2.2 Command line

Commands always start with AT (which means ATtention) and finish with a <CR> character.

2.3 Information responses and result codes

Responses start and end with <CR><LF> (except for the ATV0 DCE response format) and the ATQ1 (result code suppression) commands.

- If command syntax is incorrect, the "ERROR" string is returned,.
- If command syntax is correct but transmitted with wrong parameters, the **+CME ERROR:** <Err> or **+CMS ERROR:** <SmsErr> strings is returned with adequate error codes if CMEE was previously set to 1. By default, CMEE is set to 0, and the error message is only "ERROR".
- If the command line has been executed successfully, an "OK" string is returned.

In some cases, such as "AT+CPIN?" or (unsolicited) incoming events, the product does not return the "OK" string as a response.

In the following examples <CR> and <CR><LF> are intentionally omitted.

AT Commands Interface Guide for 6.57 Release

3 General behaviors

3.1 SIM Insertion, SIM Removal

SIM card Insertion and Removal procedures are supported. There are software functions relying on positive reading of the hardware SIM detect pin. This pin state (open/closed) is permanently monitored.

When the SIM detect pin indicates that a card is present in the SIM connector, the product tries to set up a logical SIM session. The logical SIM session will be set up or not depending on whether the detected card is a SIM Card or not. The AT+CPIN? command delivers the following responses:

- If the SIM detect pin indicates "absent", the response to AT+CPIN? is "+CME ERROR 10" (SIM not inserted).
- If the SIM detect pin indicates "present", and the inserted card is a SIM card, the response to AT+CPIN? is "+CPIN: xxx" depending on SIM PIN state.
- If the SIM detect pin indicates "present", and the inserted card is not a SIM card, the response to AT+CPIN? is "+CME ERROR 10".
- These last two states are not provided immediately due to background initialization. Between the hardware SIM detect pin indicating "present" and the final results, the AT+CPIN? sends "+CME ERROR: 515" (Please wait, init in progress).

When the SIM-detect pin indicates card absence, and if a SIM Card was previously inserted, an IMSI detach procedure is performed, all user data is removed from the product (Phonebooks, SMS etc.). The product then switches to **emergency mode**.

When the hardware SIM detect pin is not managed, the software cannot know the state of the SIM (SIM inserted or SIM removed) except for the initialization of the Wireless CPU. In this case the SIM must be present in the rack before the initialization of the Wireless CPU to be taken into account.

If the SIM is removed whereas it had been detected at the time of the initialization of the Wireless CPU, the following message is displayed : +CME ERROR: 13. If the SIM is inserted in the rack whereas it was not present at the time of the initialization of the Wireless CPU, the state of the SIM remains unchanged (SIM removed); it will have initialized the Wireless CPU so that it is detected.

AT Commands Interface Guide for 6.57 Release

3.2 Background initialization

After entering the PIN (Personal Identification Number), some SIM user data files are loaded into the product (phonebooks, SMS status, etc.). Please be aware that it might take some time to read a large phonebook.

The AT+CPIN? command response occurs after the PIN checking. After this response user data is loaded in background. This means that some data may not be available just when PIN entry is confirmed by 'OK'. The reading of phonebooks will then be refused by "+CME ERROR: 515" or "+CMS ERROR: 515" meaning, "Please wait, service is not available yet, init in progress".

This type of answer may be sent by the product at several points:

- when trying to execute another AT command before the previous one is completed (before response),
- when switching from ADN to FDN (or FDN to ADN) and trying to read the relevant phonebook immediately,
- when asking for +CPIN? status immediately after SIM insertion and before the product has determined if the inserted card is a valid SIM card.

3.3 Length of phone numbers

Phone numbers can be made of up to 60 digits. The 20 first digits are stored in SIM, in the phonebook file (EF_{ADN}, EF_{FDN} or EF_{LND}) corresponding to the selected phonebook. The next digits are stored in other extension SIM files (EF_{EXT1} or EF_{EXT2}).

As an example:

Number of digits	Nb of records in EF _{ADN}	Nb of records in EF _{EXT1}
1 to 20	1	0
21 to 40	1	1
41 to 60	1	2

If there is no more free records in the EF(EXT1), the behavior is:

- > if user tries to store an entry which number exceeds 20 digits: +CME ERROR: 20
- > if user tries to dial a number which number exceeds 20 digits: +CME ERROR: 20

As the maximum length for the numbers (in ADN, FDN, LND) phonebooks is 60 digits:

- > if user tries to dial a number which number exceeds 60 digits: +CME ERROR: 3

AT Commands Interface Guide for 6.57 Release

Before to perform a call, the number of free records in the EF_{EXT1} is checked, to be able to store the dialed number.

-> If there are free records left, the call is setup.

-> otherwise, +CME ERROR: 20 error in returned (Memory full).

Please refer to Recommendation 3GPP 11.11 for more details.

3.4 BAD SOFTWARE message

The Wireless CPU is designed to be downloaded with a specific software. When the user has to take in charge the software download, it is necessary to be sure that the compatible software is downloaded. If the software downloaded is either corrupted or non-compatible, the message BAD SOFTWARE is displayed. To remedy, reinstall the initial specific software version.

Remark: If the Wireless CPU is still displaying BAD SOFTWARE, only Wavecom or a distributor can recover it.

4 General commands

4.1 Manufacturer identification +CGMI

4.1.1 Description

This command gives the manufacturer identification.

4.1.2 Syntax:

Command syntax: AT+CGMI

Command	Possible responses
AT+CGMI	WAVECOM MODEM OK
<i>Note: Get manufacturer identification</i>	<i>Note: Command valid, Wavecom modem</i>

4.1.3 Defined values

No parameter

AT Commands Interface Guide for 6.57 Release

4.2 Request model identification +CGMM

4.2.1 Description

This command is used to get the supported frequency bands. With multi-band products the response may be a combination of different bands.

4.2.2 Syntax

Command syntax: AT+CGMM

Command	Possible responses
AT+CGMM <i>Note: Get hardware version</i>	MULTIBAND 900E 1800 OK <i>Note: Multi-band: GSM 900 MHz extended band and DCS 1800 (default configuration).</i>
AT+CGMM <i>Note: Get hardware version</i>	900E OK <i>Note: 900 Extended</i>
AT+CGMM <i>Note: Get hardware version</i>	1800 OK <i>Note: DCS</i>
AT+CGMM <i>Note: Get hardware version</i>	1900 OK <i>Note: PCS</i>
AT+CGMM <i>Note: Get hardware version</i>	G850 OK <i>Note: GSM 850</i>
AT+CGMM <i>Note: Get hardware version</i>	MULTIBAND G850 1900 OK <i>Note: Multi-band: GSM 850 and PCS</i>

4.2.3 Defined values

No parameter

AT Commands Interface Guide for 6.57 Release

4.3 Request revision identification +CGMR

4.3.1 Description

This command is used to get the revised software version.

4.3.2 Syntax

Command syntax: AT+CGMR

Command	Possible responses
AT+CGMR <i>Note: Get software version</i>	657_09gg.Q2406B 2015268 100506 17:01 OK <i>Note: Software release 6.57, generated on the 5th of October 2006</i>

4.3.3 Defined values

No parameter

4.4 Product Serial Number +CGSN

4.4.1 Description

This command allows the user application to get the IMEI (International Mobile Equipment Identity, 15 digits number) of the product.

4.4.2 Syntax

Command syntax: AT+CGSN

Command	Possible responses
AT+CGSN <i>Note: Get the IMEI</i>	012345678901234 OK <i>Note: IMEI read from EEPROM</i>
AT+CGSN <i>Note: Get the IMEI</i>	+CME ERROR: 22 <i>Note: IMEI not found in EEPROM</i>

AT Commands Interface Guide for 6.57 Release

4.4.3 Defined values

No parameter

4.5 Select TE character set +CSCS

4.5.1 Description

This command informs the ME which character set is used by the TE. The ME can convert each character of entered or displayed strings. This is used to send, read or write short messages. See also +WPCS for the phonebooks' character sets.

4.5.2 Syntax

Command syntax: AT+CSCS=<Character Set>

Command	Possible responses
AT+CSCS="GSM" <i>Note: GSM default alphabet</i>	OK <i>Note: Command valid</i>
AT+CSCS="PCCP437" <i>Note: PC character set code page 437</i>	OK <i>Note: Command valid</i>
AT+CSCS=? <i>Note: Get possible values</i>	+CSCS: ("GSM","PCCP437","CUSTOM","HEX") OK <i>Note: Possible values</i>

4.5.3 Defined values

<Character Set>

"GSM"	GSM default alphabet.
"PCCP437"	PC character set code page 437.
"CUSTOM"	User defined character set (cf. +WCCS command).
"HEX"	Hexadecimal mode. No character set used ; the user can read or write hexadecimal values.

AT Commands Interface Guide for 6.57 Release

4.6 Wavecom Phonebook Character Set +WPCS

4.6.1 Description

This **specific** command informs the ME which character set is used by the TE for the phonebooks. The ME can convert each character of entered or displayed strings. This is used to read or write phonebook entries (parameters <text>, <address> and <mail>). See also +CSCS in §4.5 for the short messages character sets.

4.6.2 Syntax

Command syntax: AT+WPCS=<Character Set>

Command	Possible responses
AT+WPCS="TRANSPARENT" <i>Note: Transparent mode</i>	OK <i>Note: Command valid</i>
AT+WPCS="CUSTOM" <i>Note: Custom character set</i>	OK <i>Note: Command valid</i>
AT+WPCS=? <i>Note: Get possible values</i>	+WPCS: ("TRANSPARENT","HEX","CUSTOM") OK <i>Note: Possible values</i>

4.6.3 Defined values

<Character Set>

- "TRANSPARENT" Transparent mode. The strings are displayed and entered as they are stored in SIM or in ME.
- "CUSTOM" User defined character set (cf. +WCCS command).
- "HEX" Hexadecimal mode. No character set used ; the user can read or write hexadecimal values.

AT Commands Interface Guide for 6.57 Release

4.7 Request IMSI +CIMI

4.7.1 Description

This command is used to read and identify the IMSI (International Mobile Subscriber Identity) of the SIM card. The PIN may need to be entered before reading the IMSI.

4.7.2 Syntax

Command syntax: AT+CIMI

Command	Possible responses
AT+CIMI <i>Note: Read the IMSI</i>	208200120320598 OK <i>Note: IMSI value (15 digits), starting with MCC (3 digits) / MNC (2 digits, 3 for PCS 1900)</i>

See appendix 19 Codes and values for MCC / MNC description.

4.7.3 Defined values

No parameter

AT Commands Interface Guide for 6.57 Release

4.8 Card Identification +CCID

4.8.1 Description

This command orders the product to read the EF-CCID file on the SIM card.

4.8.2 Syntax

Command syntax: AT+CCID

Command	Possible responses
AT+CCID <i>Note: Get card ID</i>	+CCID: "123456789AB111213141" OK <i>Note: EF-CCID is present, hexadecimal format</i>
AT+CCID? <i>Note: Get current value</i>	+ CCID: "123456789AB111213141" OK <i>Note: Same result as +CCID</i>
AT+CCID=? <i>Note: Get possible value</i>	OK <i>Note: No parameter but this command is valid</i>

Note: if there is no EF-CCID file present on the SIM, the +CCID answer will not be sent, but the OK message will be returned.

4.8.3 Defined values

No parameter

AT Commands Interface Guide for 6.57 Release

4.9 Capabilities list +GCAP

4.9.1 Description

This command gets the complete list of capabilities.

4.9.2 Syntax

Command syntax: AT+GCAP

Command	Possible responses
AT+GCAP <i>Note: Get capabilities list</i>	+GCAP: +CGSM, +FCLASS OK <i>Note: Supports GSM and FAX commands</i>

4.9.3 Defined values

No parameter

4.10 Repeat last command A/

4.10.1 Description

This command repeats the previous command. Only the A/ command itself cannot be repeated.

4.10.2 Syntax

Command syntax: A/

Command	Possible responses
A/ <i>Note: Repeat last command</i>	

4.10.3 Defined values

No parameter

AT Commands Interface Guide for 6.57 Release

4.11 Power off +CPOF

4.11.1 Description

This **specific** command stops the GSM software stack as well as the hardware layer, or the Wireless CPU activity. The AT+CFUN=0 command is equivalent to +CPOF.

4.11.2 Syntax

Command syntax: AT+CPOF[=1]

Command	Possible responses
AT+CPOF <i>Note: Stop GSM stack</i>	OK <i>Note: Command valid</i>
AT+CPOF=1 <i>Note: Stop the Wireless CPU</i>	OK <i>Note: Command valid</i>

Note: After AT+CPOF=1, the Wireless CPU will not respond to AT commands. To reset it, use the hard reset.

Note: In autobaud mode, after a AT+CPOF, unsolicited informations waking up the Wireless CPU are sent at 9600 bps until an AT command is sent. When an AT command is sent, the Wireless CPU will synchronize to the sender speed. (see CAUTION in § 14.1.1)

4.11.3 Defined values

No parameter

4.12 Set phone functionality +CFUN

4.12.1 Description

This command selects the mobile station's level of functionality.

When the application wants to stop the product with a power off, or if the application wants to force the product to execute an IMSI DETACH procedure, then it must send:

AT+CFUN=0 (equivalent to AT+CPOF)

This command executes an IMSI DETACH and makes a backup copy of some internal parameters in SIM and in EEPROM. The SIM card cannot then be accessed.

AT Commands Interface Guide for 6.57 Release

If the mobile equipment is not powered off by the application after this command has been sent, a re-start command (AT+CFUN=1) will have to be issued to restart the whole GSM registration process.

If the mobile equipment is turned off after this command, then a power on will automatically restart the whole GSM process.

The AT+CFUN=1 command restarts the entire GSM stack and GSM functionality: a complete software reset is performed. All parameters are reset to their previous values if AT&W was not used.

If you write entries in the phonebook (+CPBW) and then reset the product directly (AT+CFUN=1, with no previous AT+CFUN=0 command), some entries may not be written (the SIM task does not have enough time to write entries in the SIM card).

In addition, the OK response will be sent at the last saved (AT&W) baud rate defined by the +IPR command. With the autobauding mode the response can be at a different baud rate, it is therefore preferable to save the defined baud rate with AT&W before directly sending the AT+CFUN=1 command.

4.12.2 Syntax

Command syntax: AT+CFUN=<functionality level>

Command	Possible responses
AT+CFUN? <i>Note: Ask for current functionality level</i>	+CFUN: 1 OK <i>Note: Full functionality</i>
AT+CFUN=0 <i>Note: Set minimum functionality, IMSI detach procedure</i>	OK <i>Note: Command valid</i>
AT+CFUN=1 <i>Note: Set the full functionality mode with a complete software reset</i>	OK <i>Note: Command valid</i>

4.12.3 Defined values

<functionality level>

0: Set minimum functionality, IMSI detach procedure

1: Set the full functionality mode with a complete software reset

AT Commands Interface Guide for 6.57 Release

4.13 Phone activity status +CPAS

4.13.1 Description

This command returns the activity status of the mobile equipment.

4.13.2 Syntax

Command syntax: AT+CPAS

Command	Possible responses
AT+CPAS <i>Note: Current activity status</i>	+CPAS: <pas> OK

4.13.3 Defined values

<pas>

- 0 ready (allow commands from TA/TE)
- 1 unavailable (does not allow commands)
- 2 unknown
- 3 ringing (ringer is active)
- 4 call in progress
- 5 asleep (low functionality)

AT Commands Interface Guide for 6.57 Release

4.14 Report Mobile Equipment errors +CMEE

4.14.1 Description

This command disables or enables the use of the "+CME ERROR: <xxx>" or "+CMS ERROR:<xxx>" result code instead of simply "ERROR". See appendix 19.1 for +CME ERROR result codes description and appendix 19.2 for +CMS ERROR result codes.

4.14.2 Syntax

Command syntax: AT+CMEE=<error reporting flag>

Command	Possible responses
AT+CMEE=?	+CMEE: (0,1) OK
AT+CMEE=0 <i>Note: Disable ME error reports, use only « ERROR »</i>	OK
AT+CMEE=1 <i>Note: Enable «+CME ERROR: <xxx>» or «+CMS ERROR: <xxx>»</i>	OK
AT+CMEE?	+CMEE: 1 OK

4.14.3 Defined values

<error reporting flag>

0: Disable ME error reports, use only « ERROR »

1: Enable «+CME ERROR: <xxx>» or «+CMS ERROR: <xxx>»

AT Commands Interface Guide for 6.57 Release

4.15 Keypad control +CKPD

4.15.1 Description

This command emulates the ME keypad by sending each keystroke as a character in a <keys> string.

The supported GSM sequences are listed in the appendix.

If emulation fails, a +CME ERROR: <err> is returned.

If emulation succeeds, the result depends on the GSM sequence activated:

Note: In the case where the FDN phonebook is activated, the sequences concerning "call forwarding" are allowed only if the entire sequence is written in the FDN.

4.15.2 Syntax

Command syntax: AT+CKPD=<keys>

Command	Possible responses
AT+CKPD="*#21#" <i>Note: Check every call forwarding status</i>	+CCFC: 0,7
AT+CKPD="1234" <i>Note: Sequence not allowed</i>	+CME ERROR 3

4.15.3 Defined values

<keys>

Keyboard sequence: string of the following characters (0-9,*,#).

AT Commands Interface Guide for 6.57 Release

4.16 Clock Management +CCLK

4.16.1 Description

This command is used to set or get the current date and time of the ME real-time clock.

4.16.2 Syntax

Command syntax: AT+CCLK=<date and time string>

Command	Possible responses
AT+CCLK="00/06/09,17:33:00" <i>Note: set date to June 9th, 2000, and time to 5:33pm</i>	OK <i>Note: Date/Time stored</i>
AT+CCLK="00/13/13,12:00:00" <i>Note: Incorrect month entered</i>	+CME ERROR 3
AT+CCLK? <i>Note: Get current date and time</i>	+CCLK: "00/06/09,17:34:23" OK <i>Note: current date is June 9th, 2000 current time is 5:34:23 pm</i>

4.16.3 Defined values

<date and time string>

String format for date/time is: "yy/MM/dd, hh:mm:ss".

Valid years are 00 (for 2000) to 99 (for 2099). The seconds field is not mandatory. Default date/time is "00/01/01,00:00:00" (January 1st, 2000 / midnight).

AT Commands Interface Guide for 6.57 Release

4.17 Alarm Management +CALA

4.17.1 Description

This command is used to set alarms date/time in the ME.

The maximum number of alarms is 16.

Note: The date/time should be already set with AT+CCLK command before using AT+CALA.

4.17.2 Syntax

Command syntax: AT+CALA=<date and time string> (set alarm)

AT+CALA="",<index> (delete alarm)

Command	Possible responses
AT+CALA="00/06/09,07:30" <i>Note: set an alarm for June 9th, 2000 at 7:30 am</i>	OK <i>Note: Alarm stored</i>
AT+CALA="99/03/05,13:00:00" <i>Note: set an alarm for March 5th, 1999 at 1:00 pm</i>	+CME ERROR 3 <i>Note: Invalid alarm (date/time expired)</i>
AT+CALA? <i>Note: list all alarms</i>	+CALA: "00/06/08,15:25:00",1 +CALA: "00/06/09,07:30:00",2 +CALA: "00/06/10,23:59:00",3 <i>Note: three alarms are set (index 1, 2, 3)</i>
	+CALA: "00/06/08,15:25:00",1 <i>Note: an alarm occurs (index 1)</i>
AT+CALA="",3 <i>Note: delete alarm index 3</i>	OK <i>Note: Alarm index 3 deleted</i>
AT+CALA? <i>Note: list all alarms</i>	+CALA: "00/06/09,07:30:00",2 <i>Note: Only one alarm (index 2)</i>

4.17.3 Defined values

<date and time string>

String format for alarms: "yy/MM/dd,hh:mm:ss" (see +CCLK).

Note: Seconds are taken into account.

AT Commands Interface Guide for 6.57 Release

<index>

offset in the alarm list, range 1 to 16.

4.18 Ring Melody Playback +CRMP

4.18.1 Description

This command allows a melody to be played. All melodies are manufacturer defined.

For incoming voice, data or fax calls, 10 manufacturer-defined melodies can be played back (in a loop).

For an incoming short message, 2 manufacturer-defined sounds can be played back (once). Melody #1: short beep / Melody #2: long beep.

Note: loop melodies (for voice/data/fax call) must be stopped by a +CRMP command with the <index> field set to 0 (example: +CRMP=0,,,0). When the <volume> parameter is given, this overwrites the <sound level> value of the +CRSL command. If the <volume> parameter is not given, the <sound level> value of +CRSL is used as default value.

4.18.2 Syntax

Command syntax: AT+CRMP=<call type>[,<volume>,<type>,<index>]

Command	Possible responses
AT+CRMP=0,7,0,2 <i>Note: Play voice call melody index 2 with volume level 7.</i>	OK <i>Note: Melody Playback.</i>
AT+CRMP=0,,,0 <i>Note: Stop the melody.</i>	OK <i>Note: The melody is stopped.</i>
AT+CRMP=? <i>Note: supported parameters</i>	+CRMP: (0-3),(0-15),0,(0-10) OK

AT Commands Interface Guide for 6.57 Release

4.18.3 Defined values

<call type>

- 0 Incoming voice call
- 1 Incoming data call
- 2 Incoming fax call
- 3 Incoming short message (SMS)

<volume>

- 0 Min volume
- ...
- 6 Default volume
- 15 Max volume

<type>

- 0 Manufacturer Defined (default)

<index>

- 0 Stop Melody Playback
- 1-10 Melody ID (default: 1)

Note: range of values is 1 to 10 for voice/data/fax call type, and 1 to 2 for short messages.

AT Commands Interface Guide for 6.57 Release

4.19 Ringer Sound Level +CRSL

4.19.1 Description

This command is used to set/get the sound level of the ringer on incoming calls. The set command changes the default <volume> value of the +CRMP command.

4.19.2 Syntax

Command syntax: AT+CRSL=<sound level>

Command	Possible responses
AT+CRSL=0 <i>Note: Set volume to Min.</i>	OK <i>Note: Current ring playing with Min. volume.</i>
AT+CRSL=15 <i>Note: Set volume to Max.</i>	OK <i>Note: Current ring playing with Max. volume.</i>
AT+CRSL? <i>Note: get current ringer sound level</i>	+CRSL: 15 OK <i>Note: Current level is 15 (max.)</i>
AT+CRSL=? <i>Note: supported parameters</i>	+CRSL: (0-15) OK

4.19.3 Defined values

<sound level>

- 0 Min volume
- 6 Default volume (default)
- 15 Max volume

AT Commands Interface Guide for 6.57 Release

4.20 Generic SIM Access: +CSIM

4.20.1 Description

This command allows a direct control of the SIM by a distant application on the TE. The <command> is sent without any modification to the SIM. In the same manner the SIM <response> is sent back by the ME as it is.

The user shall then take care of processing SIM information within the frame specified by GSM as specified in GSM 11.11(or 3GPP TS 51.011).

If operation mode is not allowed by the ME, +CME ERROR: <error> is returned.

Between two successive +CSIM commands, there is no locking of the interface between the SIM and the GSM application. Since in this situation some command types and parameters can modify wrong SIM 's files , some operations, described below, are not allowed for CSIM command. However, it is possible to process them with the CRSM command.

4.20.2 Syntax

Command syntax: AT+CSIM=<length>,<command>

Command	Possible responses
AT+CSIM=<length>,<command>	+CSIM: <length>,<response> +CME ERROR: <err>
AT+CSIM?	OK
AT+CSIM=?	OK

4.20.3 Defined values

<length>: integer type

Length of the characters that are sent to TE in <command> or <response> (two times the actual length of the command or response). For command sent to TE, This value must be in the range [10 - 522], else a CME_ERROR=3 is returned.

<command>: hexadecimal type

Command passed on by the MT to the SIM in the format as described in GSM 11.11 (or 3GPP TS 51.011) (hexadecimal character format; refer +CSCS)

AT Commands Interface Guide for 6.57 Release

Second Byte Value not supported:

Due to the absence of locking, a CME_ERROR=3 is returned for the following instructions (See CRSM commands):

- D6 : UPDATE BINARY
- DC : UPDATE RECORD
- 32 : INCREASE
- 44 : REHABILITATE
- 04 : INVALIDATE
- 88 : RUN GSM ALGORITHM
- 20 : VERIFY CHV
- 24 : CHANGE CHV
- 26 : DISABLE CHV
- 28 : ENABLE CHV
- 2C : UNBLOCK CHV
- FA : SLEEP
- C0 : GET RESPONSE

Second Byte Value warning:

Due to the absence of locking, the right response may not be returned for the following instructions (See CRSM commands).

- C2 : ENVELOPE
- A2 : SEEK
- A4 : SELECT

Fifth Byte Value Restriction:

For the following instructions (Second Byte):

- A4 : SELECT
- 10 : TERMINAL PROFILE
- C2 : ENVELOPE
- 14 : TERMINAL RESPONSE
- A2 : SEEK

the user must make sure that the value of the fifth Byte of the instruction corresponds of the length of bytes (data starting from 6th byte) which follow it.

The value of the Fifth Byte must be equal of the value: $\langle \text{length} \rangle / 2 - 5$, else the command is not send to the SIM and CME_ERROR=3 is returned.

AT Commands Interface Guide for 6.57 Release

<error>: integer type

3: Wrong format or parameters of the command

13: SIM no response

<response>: hexadecimal type

Response to the command passed on by the SIM to the MT in the format as described in GSM 11.11 (or 3GPP TS 51.011) (hexadecimal character format; refer +CSCS)

4.20.4 Notes

The "READ RECORD" and "SEEK" actions on a transparent file return the status word "9408".

Via the AT+CSIM command, the "READ RECORD" and "SEEK" actions return 4,"9408" instead of CME ERROR:13.

This problem is due to OneC product.

4.21 Restricted SIM access +CRSM

4.21.1 Description

By using this command instead of Generic SIM Access +CSIM TE application has easier but more limited access to the SIM database. This command transmits to the MT the SIM <command> and its required parameters.

As response to the command, MT sends the actual SIM information parameters and response data. MT error result code +CME ERROR may be returned when the command cannot be passed to the SIM, but failure in the execution of the command in the SIM is reported in <sw1> and <sw2> parameters.

As for the CSIM command , there is no locking between two successive commands. The user should be aware of the precedence of the GSM application commands to the TE commands.

AT Commands Interface Guide for 6.57 Release

4.21.2 Syntax

Command syntax: AT+CRSM=<command>[,<fileid>[,<P1>,<P2>,<P3>[,<data>]]]

Command	Possible responses
+CRSM=<command>[,<fileid>[,<P1>,<P2>,<P3>[,<data>]]]	+CRSM: <sw1>,<sw2>[,<response>] +CME ERROR: <err>
AT+CRSM?	OK
AT+CRSM=?	OK

4.21.3 Defined values

<command>: integer type

Command passed on by the MT to the SIM; refer GSM 11.11 (or 3GPP TS 51.011):

176 READ BINARY

178 READ RECORD

192 GET RESPONSE

242 STATUS

all other values are reserved and the command will return +CME ERROR=3

NOTE 1: The MT internally executes all commands necessary for selecting the desired file, before performing the actual command.

<fileid>: integer type

This is the identifier of a elementary data file on SIM. Mandatory for every command except STATUS.

NOTE 2: The range of valid file identifiers depends on the actual SIM and is defined in GSM 11.11 (or 3GPP TS 51.011). Optional files may not be present at all. This value must be in the range [0 – 65535] else a CME_ERROR=3 is returned.

<P1>, <P2>, <P3>: integer type

Parameters passed on by the MT to the SIM. These parameters are mandatory for every command, except GET RESPONSE and STATUS. The values are described in GSM 11.11 (or 3GPP TS 51.011).

<data>: hexadecimal type

information which shall be written to the SIM (hexadecimal character format; refer +CSCS).

AT Commands Interface Guide for 6.57 Release

<sw1>, <sw2>: integer type

Information from the SIM about the execution of the actual command. These parameters are delivered to the TE in both cases, on successful or failed execution of the command.

<response>: hexadecimal type

response of a successful completion of the command previously issued (hexadecimal character format; refer +CSCS). STATUS and GET RESPONSE return data, which gives information about the current elementary data field. This information includes the type of file and its size (refer GSM 11.11 (or 3GPP TS 51.011)). After READ BINARY or READ RECORD command the requested data will be returned.

<error>: integer type

3: Wrong format or parameters of the command

13: SIM no response

4.22 Mobile equipment control mode +CMEC

4.22.1 Description

This command selects the equipment which operates ME keypad, writes to ME display and sets ME indicators. If operation mode is not allowed by the ME, +CME ERROR: <err> is returned

4.22.2 Syntax

Command Syntax: AT+CMEC=[<keyp>[,<disp>[,<ind>]]]

Response syntax: +CMEC: <keyp>,<disp>,<ind>

Command	Possible responses
AT+CMEC=[<keyp>[,<disp>[,<ind>]]]	+CME ERROR: <err>
AT+CMEC=[<keyp>[,<disp>[,<ind>]]]	OK
AT+CMEC?	+CMEC: 2,0,0 OK
AT+CMEC=?	+CMEC: (2),(0),(0) OK <i>Note: no change allowed</i>

AT Commands Interface Guide for 6.57 Release

4.22.3 Defined values:

<keyp>:

- 0: ME can be operated only through its keypad (execute command of +CKPD cannot be used)
- 1: ME can be operated only from TE (with command +CKPD)
- 2: ME can be operated from both ME keypad and TE

<disp>:

- 0: only ME can write to its display (command +CDIS can only be used to read the display)
- 1: only TE can write to ME display (with command +CDIS)
- 2: ME display can be written by both ME and TE

<ind>:

- 0: only ME can set the status of its indicators (command +CIND can only be used to read the indicators)
- 1: only TE can set the status of ME indicators (with command +CIND)
- 2: ME indicators can be set by both ME and TE

AT Commands Interface Guide for 6.57 Release

4.23 Indicator control +CIND

4.23.1 Description

This command is used to read or set the values of ME indicators. If ME does not allow setting of indicators or ME is not currently reachable, an error code is returned.

4.23.2 Syntax

Command Syntax: AT+CIND=[<ind>[,<ind>[,...]]]

Response syntax:

+CIND: <ind>[,<ind>[,...]] *or*

+CIND: (<descr>,(list of supported <ind>s)) [,<descr>,(list of supported <ind>s))
[,...]]

Command	Possible responses
AT+CIND=[<ind>[,<ind>[,...]]]	+CME ERROR: <err> <i>Note: ME not reachable</i>
AT+CIND? <i>Note: read ME indicators current values</i>	+CIND: <ind>[,<ind>[,...]] OK
AT+CIND?	+CIND: 2,2,1,0,0,0
AT+CIND=? <i>Note: read ME indicators possible values</i>	+CIND: (<descr>,(list of supported <ind>s))[,(<descr>,(list of supported <ind>s)) [,...]] OK
AT+CIND?	+CIND: 1,2,1,1,0,0,0 <i>Note: battchg:1 - max=5, signal:2 - max=5, service:1 - we are registered on the network, message:1 - a SMS has been received, call:0 - no call in progress, roam:0 - not roaming, smsfull:0 - SIM card is not full of SMS</i>
AT+CIND=? <i>Note: read possible value for ME indicators</i>	+CIND: ("battchg",(0-5)),("signal",(0-5)), ("service",(0-1)), ("message",(0-1)), ("call",(0-1)), ("roam",(0-1)), ("smsfull",(0-2)) OK

AT Commands Interface Guide for 6.57 Release

4.23.3 Defined values

<ind> integer type value, which shall be in range of corresponding <descr>:

- 0: indicator is OFF or in state which can be identified as "OFF" state
- 1: indicator is ON or in a state that is more substantial than "OFF" state
- 2: this value is more substantial than 1, and so on.

Note: If the indicator is a simple ON/OFF style element, it has values 0 and 1.

<descr>:

"battchg": battery charge level (0 - 5)

"signal": signal quality (0 - 5)

"service": service availability (0 - 1)

"message": message received (0 - 1)

"call": call in progress (0 - 1)

"roam": roaming indicator (0 - 1)

"smsfull": SMS memory storage status in the MT (0 - 2)

0: memory locations are available

1: memory full

2: one SMS has been received in Service Center (SC) but the sms storage where this SMS tried to be stored is full.

4.24 Multiplexing mode +CMUX

4.24.1 Description

This command is used to manage (enable or disable) the 3GPP TS 27.010 multiplexing protocol control channel.

This command allows the multiplexing of 4 logical channels on a single UART. Two UARTs are available on Wavecom Wireless CPUs, but multiplexing can only apply to one. The client application may handle, by this mean, up to 5 channels (4 logical multiplexed channels on a UART and 1 physical channel on the other UART).

Notes on speed and autobauding:

- The speed of the response is the same that the one of the received AT+CMUX command (prior to entering <mode>).
- It is recommended that, whenever the multiplexer control channel is released, the modem should assume an interface rate for autobauding purposes, irrespective of any previous higher speed selected.

AT Commands Interface Guide for 6.57 Release

- If a +CMUX command is issued whilst in any multiplexer mode, then that +CMUX command is ignored and the modem will return a +CME ERROR: <err> response.

4.24.1.1 Restrictions

- Only basic option and UIH framing is supported.
- Only convergence layers type 1 and 3 are supported.
- Autobauding is not compliant with multiplexing mode. It is neither possible to start multiplexing when autobauding is active (AT+IPR=0), nor to set autobauding during multiplexing mode, since the multiplexer uses only a fixed baudrate. In the same way, the bit rate can not be changed through AT+IPR command while multiplexing mode is active. Therefore, AT+IPR=<rate> command should not be used and will have no effect.
- Before starting multiplexing mode, port speed must be configured by AT+IPR=<rate> command, to be compliant with values defined in 4.24.3 Defined values for <port_speed> parameter.

4.24.1.2 Specific behaviors

- In multiplexing mode, AT configuration commands (AT+CMEE as an example), will be applied to all logical channels.
- In multiplexing mode, unsolicited result code will be sent to all logical channels.
- Since AT commands are grouped by classes, launching an AT command from a port causes the lock of all commands belonging to the same class. If an AT command of the locked class is launched from another port, a +CME ERROR: 536 will occur as long as the class is not released (at first command completion time).
- In internal mode, if GPS is used on UART2, it is not possible to start multiplexing mode on UART2. In the same way, if multiplexing mode is started on UART2, it is not possible to use GPS in internal mode.
- If Bluetooth is started, it is not possible to start multiplexing mode on UART2. In the same way, if multiplexing mode is started on UART2, it is not possible to start Bluetooth.
- If TMT (Terminal Emulator) is launched on a specific UART, it is not possible to start multiplexing mode on this UART. TMT must be closed before starting multiplexing mode. On the opposite, as soon as multiplexing mode is started, HAPC can be started on a DLCi.
- After an AT+CFUN=1 command during a multiplexing mode session, multiplexing mode is automatically restarted by the modem with previous parameters and all previous opened DLCs are reopened with the speed of AT+IPR? Command.

AT Commands Interface Guide for 6.57 Release

- DCD, RI and DTR signals are managed virtually; when V24 sets DCD, RI or DTR signals, a MSC frame is sent to the remote part to indicate a virtual state change. All is logical, no physical signal is involved.
- +++ Escape Sequence is always available to get offline.
- Flow control can be managed either physically, or virtually by MSC. By default, the Wireless CPU manages a hardware flow control on an UART, which becomes virtual on logical channels when some DLCs are opened.
- At multiplexing mode session stop, it is not necessary to reset the Wireless CPU, Wavecom Wireless CPU automatically goes back into AT mode.
- 2 timeouts are implemented for multiplexing mode connection:
 - Multiplexing mode start connection: 30 seconds.
After this timeout, multiplexing mode stopped and previous physical port is reopened.
 - DLC inactivity timeout: 5 minutes
This timeout is armed only if no DLC is opened, to avoid to be blocked into only DLC0 opening channel state. After this timeout, multiplexing mode stopped and previous physical port is reopened.

4.24.2 Syntax

Command syntax:

```
AT+CMUX=<mode>[,<subset>[,<port_speed>[,<N1>[,<T1>[,<N2>[,<T2>[,<T3>]]]]]]]
```

Response syntax:

```
+CMUX:<mode>,<subset>,<port_speed>,<N1>,<T1>,<N2>,<T2>,<T3>
```

AT Commands Interface Guide for 6.57 Release

Command	Possible responses
AT+CMUX=? <i>Note: Get possible values</i>	+CMUX: (0),(0),(1-5),(1-255),(1-128),(0-255),(1-128),(1-128) OK
AT+CMUX? <i>Note: Get current values</i>	+CMUX:<mode>,<subset>,<port_speed>,<N1>,<T1>,<N2>,<T2>,<T3> OK <i>or</i> +CME ERROR: <err>
AT+CMUX=<mode>[,<subset>[,<port_speed>[,<N1>[,<T1>[,<N2>[,<T2>[,<T3>]]]]]]] <i>Note: enter multiplex mode</i>	OK <i>or</i> +CME ERROR: <err>

4.24.3 Defined values

- <mode>** multiplexer Transparency Mechanism
0: Basic option
- <subset>** This parameter defines the multiplexer control channel set up. A virtual channel may subsequently be set up differently but if there is no settings negotiation, the virtual channel will be set up according to the control channel <subset> setting.
0: UIH frames used only

AT Commands Interface Guide for 6.57 Release

- <port_speed>** transmission rate
1: 9600 bit/s
2: 19200 bit/s
3: 38400 bit/s
4: 57600 bit/s
5: 115200 bit/s
Note:
- If port speed is not configured by *at+CMUX* command, current *<port_speed>* is the same as this displayed by *at+ipr?* command.
 - If port speed is configured by *AT+CMUX* command, the AT+CMUX port speed setting is erasing the AT+IPR port speed
 - At end of CMUX, *<port_speed>* displayed is the same as this displayed by *at+ipr?* command.
- <N1>** Maximum Frame Size
1-255
Default Value: 31
- <T1>** acknowledgement timer in units of 20 ms.
1-128 (1 unit <->20 ms).
Default Value: **5** (100 ms)
- <N2>** Maximum number of retransmission
0-255
Default Value: 3
- <T2>** response timer for the multiplexer control channel in units of 20 ms.
1-128 (1 unit <->20 ms).
Default Value: **15** (300 ms)
NOTE: <T2> must be longer than <T1>
- <T3>** wake up response timer in units of 2 seconds
1-128 (1 unit <->2 s).
Default Value: **5** (10 s)

5 Call Control commands

5.1 Dial command D

5.1.1 Description

The ATD command is used to **set a voice, data or fax call**. As per GSM 02.30, the dial command also controls supplementary services.

For a **data** or a **fax call**, the application sends the following ASCII string to the product (the bearer must be previously selected with the +CBST command):

ATD<nb> where <nb> is the destination phone number.

Note: If a GPRS PPP session is already running, the setting of a CSD (GSM data call) is not supported.

For a **voice call**, the application sends the following ASCII string to the product: (the bearer may be selected previously, if not a default bearer is used).

ATD<nb>; where <nb> is the destination phone number.

Emergency calls

The following Emergency Numbers are available without a SIM card :

000, 08, 110, 112, 118, 119, 911 and 999.

The following Emergency Numbers are available with a SIM card:

- when EF_ECC file is missing from SIM: 112 and 911

when SIM includes an EF_ECC file: 112, 911 and any Emergency Numbers available in the EF_ECC file.

Please note that for an **international number**, the local international prefix does not need to be set (usually 00) but does need to be replaced by the '+' character.

Example: to set up a voice call to Wavecom offices from another country, the AT command is: "**ATD+33146290800;**"

Note that some countries may have specific numbering rules for their GSM handset numbering.

AT Commands Interface Guide for 6.57 Release

The response to the ATD command is one of the following:

Verbose result code	Numeric code (with ATVO set)	Description
OK	0	if the call succeeds, for voice call only
CONNECT <speed>	10, 11, 12, 13, 14, 15	if the call succeeds, for data calls only, <speed> takes the value negotiated by the product.
BUSY	7	If the called party is already in communication
NO ANSWER	8	If no hang up is detected after a fixed network time-out
NO CARRIER	3	Call setup failed or remote user release. Use the AT+CEER command to know the failure cause

Direct dialing from a phonebook (stored in the SIM card) can be performed with the following command:

ATD> <index>; to call <index> from the selected phonebook (by the +CPBS command)

ATD> "BILL"; to call "BILL" from the selected phonebook

ATD> mem <index> (mem is "SM","LD","MC","ON","ME","RC","MT" or "SN",

See +CPBS command) allows direct dialing from a phonebook number..

5.1.2 Syntax

Command syntax: ATD<nb><l>[:]

ATD><mem><index><l>[:]

ATD><mem><name><l>[:]

Command	Possible responses
AT+CPBS? <i>Note: Which phonebook is selected ?</i>	+CPBS:"SM",8,10 <i>Note: ADN phonebook is selected, 8 locations are used and 10 locations are available</i>
ATD>SM6; <i>Note: Call index 6 from ADN phonebook</i>	OK <i>Note: Call succeeds</i>

AT Commands Interface Guide for 6.57 Release

When the **FDN phonebook** has been **locked**, only numbers beginning with the digits of FDN phonebook entries can be called.

For example, if "014629" is entered in the FDN phonebook all the phone numbers beginning with these 6 digits can be called.

The **CLIR supplementary service** subscription can be overridden for **this call only**.

"I" means "**invocation**" (restrict CLI presentation).

"i" means "**suppression**" (allow CLI presentation).

Control of CUG **supplementary service** information by "G" or "g" is allowed for **this call only**. The index and info values set with the +CCUG command are used.

An outgoing call attempt could be refused if the AOC service is active and credit has expired (NO CARRIER).

When trying to set up an outgoing call while there is an active call, the active call is first **put on hold**, then the call set up is carried out.

As per GSM 02.30, **GSM sequences** may be controlled using dial commands. These sequences can contain "*", "#", but ";" is forbidden.

If the sequence is not supported or fails, +CME ERROR: <err> is returned.

In the case where the FDN phonebook is activated, the sequences concerning call forwarding are allowed only if there are written in the FDN.

See paragraph 19 Codes and values to have the list of supported sequences.

Command	Possible responses
ATD*#21# <i>Note: Check any call forwarding status</i>	+CCFC: 0,7 <i>Note: No call forwarding</i>
ATD**61*+33146290800**25# <i>Note: Register call forwarding on no reply, with no reply timer fixed at 25 s.</i>	OK <i>Note: done</i>
ATD*2# <i>Note: Bad sequence</i>	+CME ERROR 3

AT Commands Interface Guide for 6.57 Release

5.1.3 Defined values

<nb>

destination phone number

<l> (optional parameter)

"l" means "invocation" (restrict CLI presentation).

"i" means "suppression" (allow CLI presentation).

<mem>

phonebook (one of "SM", "LD", "MC", "ON", "ME", "RC", "MT" or "SN"). A default value can be selected by +CPBS command.

<index>

call number at indicated offset from the phonebook selected by the +CPBS command

<name>

call number corresponding to given name from the phonebook selected by the +CPBS command

AT Commands Interface Guide for 6.57 Release

5.2 Hang-Up command H

5.2.1 Description

The ATH (or ATH0) command is used by the application to disconnect the remote user. In the case of multiple calls, all calls are released (active, on-hold and waiting calls).

The specific Wavecom ATH1 command has been appended to disconnect the current outgoing call, only in dialing or alerting state (i.e. ATH1 can be used only after the ATD command, and before its terminal response (OK, NO CARRIER, ...)). It can be useful in the case of multiple calls.

5.2.2 Syntax

Command syntax: ATH<n>

Command	Possible responses
ATH <i>Note: Ask for disconnection</i>	OK <i>Note: Every call, if any, are released</i>
ATH1 <i>Note: Ask for outgoing call disconnection</i>	OK <i>Note: Outgoing call, if any, is released</i>

5.2.3 Defined values

<n>

0: Ask for disconnection (default value)

1: Ask for outgoing call disconnection

AT Commands Interface Guide for 6.57 Release

5.3 Answer a call A

5.3.1 Description

When the product receives a call, it sets the **RingInd** signal and sends the ASCII "RING" or "+CRING: <type>" string to the application (+CRING if the cellular result code +CRC is enabled). Then it waits for the application to accept the call with the ATA command.

5.3.2 Syntax:

Command syntax: ATA

Command	Possible responses
	RING <i>Note: Incoming call</i>
ATA <i>Note: Answer to this incoming call</i>	OK <i>Note: Call accepted</i>
ATH <i>Note: Disconnect call</i>	OK <i>Note: Call disconnected</i>

5.3.3 Defined values

No parameter

5.4 Remote disconnection

This message is used by the product to inform the application that an active call has been released by the remote user.

The product sends "NO CARRIER" to the application and sets the DCD signal.

In addition, for AOC, the product can release the call if credit has expired (release cause 68 with +CEER command).

AT Commands Interface Guide for 6.57 Release

5.5 Extended error report +CEER

5.5.1 Description

This command gives the cause of call release when the last call set up (originating or answering) failed.

5.5.2 Syntax

Command syntax: AT+CEER

Command	Possible responses
ATD123456789; <i>Note: Outgoing voice call</i>	NO CARRIER <i>Note: Call setup failure</i>
AT+CEER <i>Note: Ask for reason of release</i>	+CEER: Error <xxx> OK <i>Note: <xxx>is the cause information element values from GSM recommendation 04.08 or specific Call accepted</i>

For the cause information element from GSM 04.08 see chapter 18.4 or 18.5.

"NO CARRIER" indicates that the AT+CEER information is available for failure diagnosis.

5.5.3 Defined values

No parameter

AT Commands Interface Guide for 6.57 Release

5.6 DTMF signals +VTD, +VTS

5.6.1 +VTD Description

The product enables the user application to send DTMF tones over the GSM network. This command is used to define tone duration (the default value is 70 ms \pm 5 ms, according to 3GPP 23.014).

5.6.2 +VTD Syntax

Command syntax: AT+VTD=<n>

Command	Possible responses
AT+VTD=6 <i>Note: To define 600 ms tone duration</i>	OK <i>Note: Command valid</i>
AT+VTD=0 <i>Note: To set the default value (70\pm5 ms)</i>	OK
AT+VTD? <i>Note: interrogate current tone duration</i>	+VTD: <n> OK
AT+VTD=?	+VTD: (0-255) OK

5.6.3 Defined values

<n>: tone duration

This refers to an integer <n> that defines the length of tones emitted as a result of the +VTS command. This does not affect the D command.

Value different than zero causes a tone of duration <n>*100 milliseconds.

Value zero (default value) causes a tone duration of 70 \pm 5 ms.

Note: The value is used modulo 256.

5.6.4 +VTS Description

The product enables the user application to send DTMF tones over the GSM network. This command enables tones to be transmitted, only when there is an active call.

AT Commands Interface Guide for 6.57 Release

5.6.5 +VTS Syntax

Command syntax: AT+VTS=<Tone>

Command	Possible responses
AT+VTS="A"	OK <i>Note: Command valid</i>
AT+VTS="11"	+CME ERROR: 3 <i>Note: If the <Tone> is wrong</i>
AT+VTS="4"	+CME ERROR: 3 <i>Note: If there is no communication</i>
AT+VTS="1";+VTS="3";+VTS="#" OK <i>Note: send tone sequence 13#</i>	

5.6.6 Defined values

<Tone>: DTMF tone to transmit

<Tone> is in {0-9,*,#A,B,C,D}

5.7 Redial last telephone number ATDL

5.7.1 Description

This command is used by the application to redial the last number used in the ATD command. The last number dialed is displayed followed by ";" for voice calls only

5.7.2 Syntax

Command syntax: ATDL

Command	Possible responses
ATDL <i>Note: Redial last number</i>	0146290800; OK <i>Note: Last call was a voice call. Command valid</i>

5.7.3 Defined values

No parameter

AT Commands Interface Guide for 6.57 Release

5.8 Automatic dialing with DTR AT%Dn

5.8.1 Description

This command enables and disables:

- automatic dialing of the phone number stored in the first location of the ADN phonebook (or FDN phonebook, if it is activated using +CLCK command).
- automatic sending of the short message (SMS) stored in the first location of the SIM.

The number is dialed when DTR OFF switches to ON.

The short message is sent when DTR OFF switches to ON.

5.8.2 Syntax

Command syntax: AT%D<n>[;]

Command	Possible responses
AT%D1; <i>Note: Activates DTR voice number dialing</i>	OK <i>Note: Command has been executed</i>
DTR is OFF DTR switches ON <i>Note: The number in the first location of the ADN is dialed automatically</i> DTR switches OFF <i>Note: The product goes on-hook</i>	OK
AT%D2 <i>Note: Activates DTR short message sending</i>	OK <i>Note: Command has been executed</i>
DTR is OFF DTR switches ON <i>Note: The first short message is sending</i>	+CMSS: x
AT%D1; DTR is OFF DTR switches ON <i>Note: no phone number in the first location in the ADN phonebook (or FDN phonebook if it's activated using +CLCK command)</i>	OK +CME ERROR: 21

AT Commands Interface Guide for 6.57 Release

Command	Possible responses
AT%D2	OK
<i>DTR is OFF</i> <i>DTR switches ON</i> <i>Note: no short message in the first location of the SIM.</i>	+CMS ERROR: 321

5.8.3 Defined values

<n> (0-2) To enable or disable automatic message transmission or number dialing. Informs the product that the number is a voice number, rather than a fax or data number.

AT%D0 Disables automatic DTR number dialing / message transmission.

AT%D1; Enables automatic DTR dialing if DTR switches from OFF to ON; Dials the phone number in the first location of the ADN phonebook (or FDN phonebook, if it is activated using +CLCK command). **Voice call (with semi-colon).**

AT%D1 Activates automatic DTR dialing if DTR switches from OFF to ON; Dials the phone number in the first location of the ADN phonebook (or FDN phonebook, if it is activated using +CLCK command). **Data or Fax call (without semi-colon).**

AT%D2 Activates automatic DTR short message transmission if DTR switches from OFF to ON. Sends the short message in the first location of the SIM.

If the first location is empty:

- AT%D1 and AT%D2 commands will receive an OK response
- The DTR ON event will trigger a CME ERROR: 21 or a CMS ERROR: 321.

AT Commands Interface Guide for 6.57 Release

5.9 Automatic answer ATSO

5.9.1 Description

This S0 parameter determines and controls the product automatic answering mode.

5.9.2 Syntax

Command syntax: ATSO=<value>

Command	Possible responses
ATSO=2 <i>Note: Automatic answer after 2 rings</i>	OK
ATSO? <i>Note: Current value</i>	002 OK <i>Note: always 3 characters padded with zeros</i>
ATSO=0 <i>Note: No automatic answer</i>	OK <i>Note: Command valid</i>

All others S-parameters (S6,S7,S8 ...) are not implemented.

5.9.3 Defined values

<value>

number of rings before automatic answer (3 characters padded with zeros).
Range of values is 0 to 255.

AT Commands Interface Guide for 6.57 Release

5.10 Incoming Call Bearer +CICB

5.10.1 Description

This **specific** command is used to set the type of incoming calls when no incoming bearer is given (see +CSNS).

Note: setting the +CICB command affects the current value of +CSNS.

5.10.2 Syntax

Command syntax: AT+CICB=<mode>

Command	Possible responses
AT+CICB=1 <i>Note: If no incoming bearer, force a fax call</i>	OK <i>Note: Command accepted</i>
AT+CICB=2 <i>Note: If no incoming bearer, force a voice call</i>	OK <i>Note: Command accepted</i>
AT+CICB? <i>Note: Interrogate value</i>	+CICB: 2 OK <i>Note: Default incoming bearer: voice call</i>
AT+CICB=? <i>Note: Test command</i>	+CICB: (0-2) OK <i>Note: Speech, data or fax default incoming bearer</i>

5.10.3 Defined values

<mode>

- 0: Data
- 1: Fax
- 2: Speech

AT Commands Interface Guide for 6.57 Release

5.11 Single Numbering Scheme +CSNS

5.11.1 Description

This command selects the bearer to be used when an MT single numbering scheme call is set up (see +CICB).

Note: Setting the +CSNS command affects the current value of +CICB.

5.11.2 Syntax

Command syntax: AT+CSNS

Command	Possible responses
AT+CSNS=2 <i>Note: force a fax call</i>	OK <i>Note: Command accepted</i>
AT+CSNS=0 <i>Note: force a voice call</i>	OK <i>Note: Command accepted</i>
AT+CSNS? <i>Note: Interrogate value</i>	+CSNS: 0 OK <i>Note: Default incoming bearer: voice call</i>
AT+CSNS=? <i>Note: Test command</i>	+CSNS: (0,2,4) OK <i>Note: Voice, data or fax default incoming bearer</i>

5.11.3 Defined values

<mode>

0: Voice

2: Fax

4: Data

AT Commands Interface Guide for 6.57 Release

5.12 Gain control +VGR, +VGT

5.12.1 Description

This command is used by the application to tune the receive gain of the speaker and the transmit gain of the microphone.

5.12.2 Syntax

Command syntax: AT+VGR=<Rgain>
AT+VGT=<Tgain>

Command	Possible responses
AT+VGR=25	OK <i>Note: Command valid</i>
AT+VGT=45	OK <i>Note: Command valid</i>
AT+VGR? <i>Note: Interrogate value</i>	+VGR: 128 OK <i>Note: Default receive gain</i>
AT+VGR=? <i>Note: Test command</i>	+VGR: (0-255) OK <i>Note: Possible values</i>
AT+VGT? <i>Note: Interrogate value</i>	+VGT: 32 OK <i>Note: Default transmit gain</i>
AT+VGT=? <i>Note: Test command</i>	+VGT: (0-255) OK <i>Note: Possible values</i>

Note: For the AT+VGT ? command with controller 1 set, the value is the lower value of range, where as with controller 2, value correspond to the entered value with AT+VGT=xx.

AT Commands Interface Guide for 6.57 Release

5.12.3 Defined values

<Rgain>: reception gain

<Tgain>: transmission gain

The application sends:

For Q24x6, Q24X0, Q25XX, Q24 Classic, Q24 Plus, Q24 Extended, Q24 Auto and P32x6 Wireless CPUs:

AT+VGR=<val>	for receive gain	AT+VGT=<val> Controller 1	for transmit gain Controller 1	AT+VGT=<val> Controller 2	for transmit gain Controller 2
0 to 15	+6 db	0 to 31	+30 db	0	+0 db
16 to 31	+4 db	32 to 63	+33 db	1	+0,5 db
32 to 47	+2 db	64 to 95	+36 db	2	+1 db
48 to 63	+0 db	96 to 127	+39 db	3	+1,5 db
64 to 79	-2 db	128 to 159	+42 db
80 to 95	-4 db	160 to 191	+45 db	19	+9,5 db
96 to 111	-6 db	192 to 223	+48 db	20	+10 db
112 to 127	-8 db	224 to 255	+51 db	21	+10.5 db
128 to 143	-10 db			22	+11 db
144 to 159	-12 db			23	+11.5 db
160 to 175	-14 db			...	
176 to 191	-16 db			58	+29 db
192 to 207	-18 db			59	+29.5 db
208 to 223	-20 db			60	+30 db
224 to 255	-22 db			61	+30,5 db
				62	+31 db
			
				101	+50,5 db
				102	+51 db
				103 to 127	reserved
				128 to 242	reserved
				243	-6,5 db
				244	-6 db
				245	-5,5 db
				246	-5 db
			
				255	-0,5 db

AT Commands Interface Guide for 6.57 Release

For P5186:

AT+VGR=<val>	For the receive gain	AT+VGT=<val> Controller 1	For the transmit gain Controller 1
0 to 15	+6 db	0 to 31	+29 db
16 to 31	+3 db	32 to 63	+32 db
32 to 47	+0 db	64 to 95	+35 db
48 to 63	+0 db	96 to 127	+38 db
64 to 79	-3 db	128 to 159	+41 db
80 to 95	-6 db	160 to 191	+44 db
96 to 111	-6 db	192 to 223	+47 db
112 to 127	-9 db	224 to 255	+47 db
128 to 143	-12 db		
144 to 159	-12 db		
160 to 175	-15 db		
176 to 191	-18 db		
192 to 207	-18 db		
208 to 223	-21 db		
224 to 239	-21 db		
240 to 255	-21 db		

The gain values listed here are relative, for absolute (electrical) values please refer to the specific hardware documentation of the Wireless CPU used in the application.

AT Commands Interface Guide for 6.57 Release

5.13 Microphone Mute Control +CMUT

5.13.1 Description

This command is used to mute the microphone input on the product (for the active microphone set with the +SPEAKER command). This command is only allowed during a call.

5.13.2 Syntax

Command syntax: AT+CMUT=<mode>

Command	Possible responses
AT+CMUT=? <i>Note: Test command</i>	+CMUT: (0,1) OK <i>Note: Enable / disable mute</i>
AT+CMUT? <i>Note: Ask for current value</i>	+CMUT: 0 OK <i>Note: Current value is OFF</i>
AT+CMUT=1 <i>Note: Mute ON (call active)</i>	OK <i>Note: Command valid</i>
AT+CMUT? <i>Note: Ask for current value</i>	+CMUT: 1 OK <i>Note: Mute is active (call active)</i>
AT+CMUT=0 <i>Note: Mute OFF (call not active)</i>	+CME ERROR:3 <i>Note: Command not valid</i>

5.13.3 Defined values

<mode>

0: microphone mute off (default value).

1: microphone mute on.

AT Commands Interface Guide for 6.57 Release

5.14 Speaker & Microphone selection +SPEAKER

5.14.1 Description

This **specific** command is used to select the speaker and the microphone set.

5.14.2 Syntax

Command syntax: AT+SPEAKER=<ActiveSpkMic>

Command	Possible responses
AT+SPEAKER=0 <i>Note: Speaker ONE and Micro ONE</i>	OK <i>Note: Command valid</i>
AT+SPEAKER?	+SPEAKER: 0 OK <i>Note: Speaker ONE and Micro ONE are active</i>
AT+SPEAKER=?	+SPEAKER: (0,1) OK

5.14.3 Defined values

<ActiveSpkMic>

0: Speaker ONE, Micro ONE

1: Speaker TWO, Micro TWO

5.15 Echo Cancellation +ECHO

5.15.1 Description

This **specific** command is used to enable, disable or configure the Echo Cancellation functions for voice calls (in rooms, in cars, etc.).

It is necessary to tune the Microphone gain (AT+VGT) and the Speaker gain (AT+VGR) before activating the Echo Cancellation.

Note:

- You can activate/deactivate the echo cancellation during a call without resetting the product if the <Algold> parameter is not changed. But you have to use the syntax with all parameters: AT+ECHO=1,3,30,8000,256 for instance.

AT Commands Interface Guide for 6.57 Release

- To use echo cancellation 3 and 6, the ECHO feature must be activated.
- Please remind that echo cancellation algorithms may be not available on some Wireless CPUs :

Wireless CPU	Algorithm 6 support	Algorithm 3 support
P51xx	No	Yes
Q2400	Yes	Yes
Q2406	Yes	Yes
Q2426	Yes	No
Q31xx	Yes	No
Q24 Auto (non AMR)	Yes	Yes
Q24 Auto (AMR)	Yes	No
Q24 Plus (non AMR)	Yes	Yes
Q24 Plus (AMR)	Yes	No
Q24 Extended (non AMR)	Yes	Yes
Q24 Extended (AMR)	Yes	No
Q24 Classic (non AMR)	Yes	Yes
Q24 Classic (AMR)	Yes	No
Q31xx	Yes	No

AT Commands Interface Guide for 6.57 Release

5.15.2 Syntax

Command syntax:

For Algold=1:

AT+ECHO=<mode>[,<Algold>[,<VolOut>,<Step>,<PcmThRel>,<PcmThMax>]]

For Algold=3:

AT+ECHO=<mode>[,<Algold>[,<AlgoParam>,<NoiseThres>,<NmbTaps>]]

For Algold=6:

AT+ECHO=<mode>[,<Algold>[,<AlgoParam>,<NoiseThres>,<NmbTaps>,
<ConvergenceTime1>,<ConvergenceTime2>,<NoiseLevelMAX>,
<DetectionThreshold>,<CNGAdjust>,
<CNGParam1>,<CNGParam2>,<CNGGain>,<NmbDelay>]]

Response syntax:

For Algold=1:

ECHO: <status>,<Algold>,<VolOut>,<Step>,<PcmThRel>,<PcmThMax>

For Algold=3:

+ECHO: <status>,<Algold>,<AlgoParam>,<NoiseThres>,<NmbTaps>

For Algold=6:

+ECHO: <status>,<Algold>,<AlgoParam>,<NoiseThres>,<NmbTaps>,
<ConvergenceTime1>,<ConvergenceTime2>,<NoiseLevelMAX>,
<DetectionThreshold>,<CNGAdjust>,<CNGParam1>,<CNGParam2>,
<CNGGain>,<NmbDelay>,<NoiseEstimate>

AT Commands Interface Guide for 6.57 Release

Command	Possible responses
AT+CMEE=1 <i>Note: Enables the use of result code</i>	OK
AT+SPEAKER?	+ SPEAKER: 0 OK <i>Note: Speaker ONE and Micro ONE are active</i>
AT+SIDET=0 <i>Note: Deactivate the Sidetone</i>	OK
AT+SIDET?	+SIDET: 0,0
AT+ECHO? <i>Note: Read current settings</i>	+ECHO: 0,1,0,3,10,7 OK
AT+ECHO=1,1,0,3,10,7 <i>Note: Active Echo cancellation 1 for Mic/Spk one.</i>	OK
AT+ECHO? <i>Note: Read current settings</i>	+ECHO: 1,1,0,3,10,7 OK
AT+ECHO=1,3,30,8000,256 <i>Note: Activate the Echo cancellation 3</i>	+CME ERROR: 519 <i>Note: The new algorithm will be activated after a reset of the product</i>
AT+ECHO? <i>Note: Read the Echo cancellation settings</i>	+ECHO: 3,3,30,8000,256 OK
AT+CFUN=1 <i>Note: Reset the product</i>	OK
AT+ECHO? <i>Note: Read current settings</i>	+ECHO: 1,3,30,8000,256 OK
AT+ECHO=0 <i>Note: Deactivate the Echo Cancellation</i>	OK
AT+ECHO=0 <i>Note: Deactivate the Echo Cancellation</i>	OK

AT Commands Interface Guide for 6.57 Release

Command	Possible responses
AT+ECHO= 1,6,30,50,256,200,550,15,32767,32767, 27484,38697,7311,2 <i>Note: Activate the Echo cancellation 6</i>	+CME ERROR: 519 <i>Note: The new algorithm will be activated after a reset of the product</i>
AT+ECHO? <i>Note: Read the Echo cancellation settings</i>	+ECHO: 3, 6, 30, 50, 256, 200, 550, 15, 32767,32767, 27484,38697,7311,2, 65535 OK
AT+CFUN=1 <i>Note: Reset the product</i>	OK
AT+ECHO? <i>Note: Read current settings</i>	+ECHO: 1, 6, 30, 50, 256, 200, 550, 15, 32767, 32767, 27484,38697,7311,2,65535 OK

5.15.3 Defined values

<mode>

0: Deactivate Echo

1: Activate Echo

When mode = 1 is chosen, **Algold** is mandatory.

<Status>

0 Echo Deactivated.

1 Echo Activated for Mic/Spk one.

2 Echo Activated for Mic/Spk two.

3 Reset the product.

Note: **<Status>** does not indicate the currently selected speaker. If echo is activated, it indicates the speaker for which echo parameters are set. Echo can be activated on a non-selected speaker.

<Algold>

1: Echo cancellation 1 (Not supported on P51x6)

3: Echo cancellation 3

6: Echo cancellation 6: AEC algorithm

Note: Please remind that echo cancellation algorithms may be not available on some Wireless CPUs. Refer to table in Description section.

AT Commands Interface Guide for 6.57 Release

□ Echo cancellation 1 (4 parameters):

- The parameter **<Volout>** specifies the maximum attenuation of the switch

<Volout>

0: 31 db (default)

1: 29 db

2: 27 db

3: 25 db

...

14: 3 db

15: 1 db

- The parameter **<Step>** specifies the attenuation step between attenuation and no attenuation.

<Step>

0: 1 db

1: 2 db

2: 3 db

3: 4 db (default)

- The **<PcmThRel>** parameter specifies the relative threshold between max and min energy information.

The allowed range is [**0 ; 31**]. (**10** by default)

- The **<PcmThMax >** parameter specifies threshold of max energy information.

The allowed range is [**0 ; 31**]. (**7** by default)

□ Echo Cancellation 3 (3 parameters):

- **<AlgoParam>** high value leads to high echo attenuation but the full-duplex quality will be less efficient.

The allowed range is [**0 ; 63**]. (**30** by default)

- **<NoiseThres>** indicates the noise threshold. Low value leads to high noise attenuation. The threshold 32767 indicates no noise attenuation. The allowed range is [**0 ; 32767**]. (**8000** default)

- **<NmbTaps>** indicates the Number of Taps of the Adaptive Filter. The allowed range is [**64 ; 256**]. (**256** by default)-64 taps is for short Echo-256 taps is for long Echo.

AT Commands Interface Guide for 6.57 Release

□ Echo Cancellation 6 (12 parameters):

- **<AlgoParam>** high value leads to high echo attenuation but the full-duplex quality will be less efficient.

The allowed range is [0 ; 63]. (30 by default)

- **<NoiseThres>** indicates the noise threshold. Low value leads to high noise attenuation. The threshold 32767 indicates no noise attenuation. The allowed range is [0 ;32767]. (50 default). Values above 512 have no effect (noise reduction will be disabled)
- **<NmbTaps>** indicates the Number of Taps of the Adaptive Filter. The allowed range is [2 ;256]. (256 by default)-64 taps is for short Echo-256 taps is for long Echo.

- **<ConvergenceTime1> Convergence time in quiet condition:**

This parameter expresses duration as the number of GSM speech frames (20 ms each) containing far end speech, upon which the switch only mechanism must run, in quiet conditions. The allowed range is [162; 32767]. (200 default)

- **<ConvergenceTime2> Convergence time in noise condition:**

This parameter is the same as ConvergenceTime1 but noisy condition. The allowed range is [162; 32767]. (550 default)

Important note: **<ConvergenceTime2> must be greater than or equal to <ConvergenceTime1>**

- **<NoiseLevelMAX> Upper bound of the noise floor estimate**

This parameter is expressed an integer on 16bits, and corresponds to the rounded value of the noise floor estimate expressed in dB (log2). The allowed range is [NOISE_LEVEL_MIN+1, 31], NOISE_LEVEL_MIN being a constant (NOISE_LEVEL_MIN=4 in the current implementation). Default value is 15 .

- **<DetectionThreshold> Far-end speech detection threshold:**

In order to detect far end speech on the loudspeaker's signal, the SNR is computed regarding to the far end signal power and the far end signal noise floor level. This parameter specifies a threshold on the SNR above which the switch mechanism will be activated.

This parameter is expressed as an integer on 16bits, and must be in the range [0, 32767]. (32767 default)

- **<CNGAdjust>: Comfort noise volume gain**

Although the comfort noise volume will self adjust to the estimated ambient noise level, it is possible to artificially reduce its level. This parameter is expressed in fixed point as a signed Q15, meaning that 32767 stands for 1.0, and 0 for 0.0. It ranges from 0 to 32767. Setting this value to 0 will mean no comfort noise. (32767 default).

AT Commands Interface Guide for 6.57 Release

- **<CNGParam1>, <CNGParam2>: 16 bits Comfort noise AR2 coefficients:**
The user will set the AR2 coefficients for a specific car. Their value will be estimated on a recorded noise sequence by mean of a tool provided by Wavecom (C or Matlab source code). The recorded sequence shall be made in the noisy conditions and contain noise only. The allowed range is [0; 65535]. (**27484** by default for CNG Param1 and **38697** by default for CNGParam2)
- **<CNGGain>: 16 bits Comfort noise AR2 gain coefficient.**
It specifies the gain of the AR2 filter used for comfort noise generation. It will be estimated by the same tool used to estimate **CNGParam1** and **CNGParam2**.
It is represented as a Q15 on 16 bits. The allowed range is [0; 32767]. (**7311** default)
- **<SOMValue>: Switch attenuation value at the beginning of the call**
This parameter will range from 1 to 16 and set the depth of the attenuation of the transmit audio signal when speech is detected on the distant side (**4** default)
- **<NoiseEstimate>: value of the noise floor estimate written by the DSP (only in case of active communication)**
The allowed range is [0, 32] when a communication is active. Otherwise the returned value is 65535.

Notes:

The field **<NoiseEstimate>** is present only for the Algold 6 and only in the response to AT+ECHO?

When a new algold is selected, AT+ECHO? returns 3 for the mode. The changes will be taken into account after a reset.

AT Commands Interface Guide for 6.57 Release

5.16 Side Tone modification +SIDET

5.16.1 Description

This **specific** command is used to set the level of audio feedback in the speaker (microphone feedback in the speaker).

5.16.2 Syntax

Command syntax: AT+SIDET=<val1>[,<val2>]

Command	Possible responses
AT+SIDET=1,0	OK <i>Note: Command valid</i>
AT+SIDET? <i>Note: Current value</i>	+SIDET: 1,0 OK <i>Note: Command valid</i>
AT+SIDET=?	+SIDET: (0-1),(0-3) OK

5.16.3 Defined values

<val1>

0: Side Tone is disabled

1: Side Tone is enabled

<val2> (default value 0 will be used if this parameter is not given)

0: 0 db

1: - 6 db

2: - 12 db

3: - 18 db

AT Commands Interface Guide for 6.57 Release

5.17 Initialize Voice Parameters +VIP

5.17.1 Description

This command allows factory settings for voice parameters to be restored from EEPROM.

These voice parameters include:

- Gain control (+VGR & +VGT commands),
- Gain controller (+WSVG command),
- Microphone mute control (+CMUT command),
- Speaker & Microphone selection (+SPEAKER command),
- Echo cancellation (+ECHO command),
- Side tone modification (+SIDET command).

5.17.2 Syntax

Command syntax: AT+VIP=<n>

Command	Possible responses
AT+VIP?	+VIP: 1 OK
AT+VIP=2 <i>Note: Syntax error</i>	+CME ERROR: 3
AT+VIP=1 <i>Note: Restore the factory settings from EEPROM</i>	OK <i>Note: The command has been executed</i>
AT+VIP=1 <i>Note: Restore the factory settings from EEPROM with the current Echo cancellation algorithm (different of the default algorithm).</i>	CME ERROR: 519 <i>Note: Reset the product to accept the new algorithm.</i>
AT+VIP=? <i>Note: List of supported <n>s</i>	+VIP: (1) OK

AT Commands Interface Guide for 6.57 Release

5.17.3 Defined values

<n>

1: Restore all voice parameters

Other values are not supported.

6 Network service commands

6.1 Signal Quality +CSQ

6.1.1 Description

This command is used to ascertain the *received signal strength indication* (<rss>) and the *channel bit error rate* (<ber>) with or without a SIM card inserted.

6.1.2 Syntax

Command syntax: AT+CSQ

Command	Possible responses
AT+CSQ	+CSQ: <rss>,<ber> OK <i>Note: <rss> and <ber> as defined below</i>

6.1.3 Defined values

<rss>:

0	-113 dBm or less
1	-111 dBm
2 to 30	-109 to -53 dBm
31	-51dBm or greater
99	not known or not detectable

<ber>:

0...7	as RXQUAL values in the table GSM 05.08
99	not known or not detectable

AT Commands Interface Guide for 6.57 Release

6.2 Operator selection +COPS

6.2.1 Description

There are three possible ways of selecting an operator (PLMN):

- The product is in **manual** mode. It then tries to find the operator specified by the application and if found, tries to register.
- The product is in **automatic** mode. It then tries to find the home operator and if found, tries to register. If not found, the product automatically searches for another network.
- The product enters into **manual/automatic** mode, and then tries to find an operator as specified by the application (as in manual mode). If this attempt fails it enters **automatic** mode. If this is successful, the operator specified by the application is selected. The mobile equipment then enters into **automatic** mode.

Note: The read command returns the current mode and the currently selected operator. In manual mode, this PLMN may not be the one set by the application (as it is in the search phase).

These commands are not allowed during communication.

AT Commands Interface Guide for 6.57 Release

6.2.2 Syntax

To force an attempt to select and register on a network, the application must send the following command:

Command syntax: AT+COPS=<mode>, [<format> [, <oper>]]

Possible responses for AT+COPS=<mode>:

ERROR Responses	Meaning
OK	Network is selected with full service
+CME ERROR: 30	No network service
+CME ERROR: 32	Network not allowed - emergency calls only
+CME ERROR: 3	Not allowed during Communication
+CME ERROR: 4	Incorrect parameters
+CME ERROR: 527	Please wait, and retry your selection later
+CME ERROR: 528	Location update failure - emergency calls only
+CME ERROR: 529	Selection failure - emergency calls only
+CME ERROR: 546	Emergency call is not allowed without SIM
+CME ERROR: 547	Emergency call is allowed without SIM

Careful:

Error code + CME ERROR: 546 or +CME ERROR: 547 are only returned if SIM is not present.

The fact that network support emergency call (+CME ERROR: 547) does not imply that emergency call without SIM is working. The only way to know it is to do atd112.

Response syntax for AT+COPS?:

+COPS: <mode> [, <format>, <oper>]

Response syntax for AT+COPS=?:

+COPS: [list of supported (<stat>, long alphanumeric <oper>, short alphanumeric <oper>s, numeric <oper>) s]

Notes:

- If an incoming call occurs during a PLMN list request, the operation is aborted (+CME ERROR: 520) and the unsolicited RING appears.
- If SPN (Service Provider Name) is present in the SIM, it will be returned in both long and short alphanumeric <oper> fields. The string in the "short" field will be the SPN truncated to the appropriate character number (10).

AT Commands Interface Guide for 6.57 Release

Following operation are allowed without SIM inserted, or PIN activated:

AT+COPS? : Get current PLMN
 AT+COPS=? : List allowed PLMN
 AT+COPS=1,2,<plmn> : Set manually current PLMN.

Command	Possible responses
AT+COPS? <i>Note: Ask for current PLMN</i>	+COPS: 0,2,20801 OK <i>Note: Home PLMN is France Telecom Orange</i>
AT+COPS=? <i>Note: Ask for PLMN list</i>	+COPS: (2,"F SFR","SFR","20810"), (3,"F-BOUYGUES TELECOM","BYTEL","20820"),(3,"Orange F","Orange","20801") OK <i>Note: Home PLMN is SFR, BYTEL and Orange networks have been detected</i>
AT+COPS=1,2,20810 <i>Note: Ask for registration on SFR network</i>	+CME ERROR: 32 <i>Note: Network not allowed – emergency calls only</i>
AT+COPS=1,2,23433 <i>Note: Ask for registration on UK Orange network</i>	+CME ERROR: 529 <i>Note: Selection failed – emergency calls only</i>
AT+COPS=0 <i>Note: Ask for registration in automatic mode</i>	OK <i>Note: Succeeded</i>
AT+COPS=3,0 <i>Note: Set <format> to long alphanumeric</i>	OK
AT+COPS? <i>Note: Ask for current PLMN</i>	+COPS: 0,0,"Orange F" OK <i>Note: Home PLMN is France Telecom Orange</i>
AT+COPS=2 <i>Note: Ask for deregistration from network</i>	OK <i>Note: Succeeded</i>
AT+COPS? <i>Note: Ask for current PLMN</i>	+COPS: 2 <i>Note: ME is unregistered until <mode>=0 or 1 is selected</i>

AT Commands Interface Guide for 6.57 Release

6.2.3 Defined values

<mode>

- 0:** automatic (**default** value)
- 1:** manual
- 2:** deregistration; ME will be unregistered until <mode>=0 or 1 is selected.
- 3:** set only <format> (for read command AT+COPS?)
- 4:** manual / automatic (<oper> shall be present), if manual selection fails, automatic mode is entered.

<format>: format of <oper> field

- 0:** long alphanumeric format <oper>
- 1:** short alphanumeric format <oper>
- 2:** numeric <oper> (**default** value)

<stat>: status of <oper>

- 0:** unknown
- 1:** available
- 2:** current
- 3:** forbidden

<oper>: operator identifier (MCC/MNC in numeric format only for operator selection)

The long alphanumeric format can be up to 16 characters long (see appendix 19 Codes and values for operator names description, field is "Name"). The short alphanumeric format can be up to 10 characters long.

AT Commands Interface Guide for 6.57 Release

6.3 Network registration +CREG

6.3.1 Description

This command is used by the application to ascertain the registration status of the product.

6.3.2 Syntax

Command syntax: AT+CREG= <mode>

Response syntax: +CREG: <mode>, <stat> [,<lac>,<ci>] for AT+CREG? Command only

Command	Possible responses
AT+CREG?	+CREG: <mode>,<stat> OK <i>Note: As defined here-above</i>
AT+CREG=0 <i>Note: Disable network registration unsolicited result code</i>	OK <i>Note: Command valid</i>
AT+CREG=1 <i>Note: Enable network registration unsolicited result code</i>	OK <i>Note: Command valid</i>
AT+CREG=2 <i>Note: Enable network registration and location information unsolicited result code</i>	OK <i>Note: Command valid</i>
AT+CREG=?	+CREG: (0-2) <i>Note: 0,1,2 <mode> values are supported</i>

AT Commands Interface Guide for 6.57 Release

6.3.3 Defined values

<mode>

- 0: Disable network registration unsolicited result code (**default**)
- 1: Enable network registration code result code +CREG: <stat>
- 2: Enable network registration and location information unsolicited result code +CREG: <stat>,<lac>,<ci> if there is a change of network cell.

<stat>

- 0: not registered, ME is not currently searching for a new operator.
- 1: registered, home network.
- 2: not registered, ME currently searching for a new operator to register to.
- 3: registration denied.
- 4: unknown.
- 5: registered, roaming.

<lac>: string type; two byte location area code in hexadecimal format (e.g. "00C3" equals 195 in decimal).

<ci>: string type; two byte cell ID in hexadecimal format.

6.4 Operator List Management +WOLM

6.4.1 Description

This **specific** command allows a new or modified operator to be added to the PLMN list. At most 10 PLMNs can be created and stored in the flash memory.

Please note that if two entries with the same network (MCC+MNC), but have different names, are entered, the first one will be taken into account to have the name.

6.4.2 Syntax

Command syntax:

AT+WOLM=<mode>,<loc>[,<NumOper>,<short name>,<long name>]

Response syntax for AT+WOLM=?:

OK

Response syntax for AT+WOLM?: (lists all the PLMN in this list)

+WOLM: <loc>,<NumOper>,<short name>,<long name>

+WOLM:

AT Commands Interface Guide for 6.57 Release

Command	Possible responses
AT+WOLM=1,1,20812,"WM","WM PLMN" <i>Note: Add a new PLMN at location 1</i>	OK
AT+WOLM=2,1 <i>Note: Read the PLMN at location 1</i>	+WOLM: 1,20812,"WM","WM PLMN" OK
AT+WOLM=2,11 <i>Note: Read the PLMN at location 11</i>	+CME ERROR: 21 <i>Note: Invalid index</i>
AT+WOLM=1,1,20812,"WM1","WM1 PLMN" <i>Note: Modify an existing PLMN</i>	OK <i>Note: Done</i>
AT+WOLM=? <i>Note: Test command</i>	OK
AT+WOLM? <i>Note: Interrogate current list</i>	+WOLM: 1,20812,"WM1","WM1 PLMN" OK <i>Note: List of the created PLMN in flash</i>
AT+WOLM=1,,20813,"PLMN2","PLMN2 LONG" <i>Note: Add a new PLMN at available location</i>	OK or +CME ERROR: 20 <i>Note: Error returns if no more PLMN can be created</i>
AT+WOLM=0,1 <i>Note: Delete an entry at location 1</i>	OK
AT+WOLM=0,11 <i>Note: Delete an entry at location 11</i>	+CME ERROR: 21 <i>Note: Invalid index</i>

6.4.3 Defined values

<mode> :0 delete

1 write

2 read

<loc> : location. If this parameter is not filled with <mode>=1, the location will be the first empty.

<NumOper>: Operator in numeric format: MCC and MNC

<short name>: The short name of the PLMN

<long name>: The long name of the PLMN

AT Commands Interface Guide for 6.57 Release

6.5 Read operator name +WOPN

6.5.1 Description

This specific command returns the operator name in alphanumeric format, the numeric format being given.

With E-ONS (Enhanced Operator Name Service) feature, <lac> is an optional parameter to read names from OPL/PNN SIM files. If it is not entered, name will be given with current <lac>. Note that in limited service, current <lac> is set to 0.

It also allows to erase NITZ PLMN names stored in Flash memory with "AT+WOPN=3,0".

When the Wireless CPU receives a NITZ (Network Information and Time Zone) message with Long Name or Short Name information, an entry with registered PLMN and names in message is created in flash memory. These names will then be used with +COPS,+COPN,+WOPN, +CPOL commands with the priority order defined in 3GPP TS 22.101. The Wireless CPU supports only network names with GSM default alphabet coding scheme.

The user can choose which of the following method will be used for getting PLMN names with command "AT+WOPN=4,<PlmnOns>".

The priority order is:

- 1 - E-ONS First entry if on Home PLMN, or matching entry if existing in OPL/PNN SIM files
- 2 - CPHS if on Home PLMN, use SIM file CPHS ONS (0x6F14) for Long Name if present and SIM file CPHS SONS (0x6F18) for short name if present (if not, reuse SIM file CPHS ONS)
- 3 - SPN If on Home PLMN, use SIM file SPN (0x6F46) if present
- 4 - NITZ if there is a matching entry in the list of names received so far, use it. Note that in France for example, all the operators use NITZ message for Date and Time feature, but not for PLMN names, so the list is always empty. In France, NITZ message is sent on GPRS attachment.
- FLASH If there is a matching entry in flash PLMN list (created by +WOLM), use it.
- 5 - ROM PLMN names in ROM defined according to MoU SE.13 and NAPRD Operator Names documents

Once a long name is found following this priority order, it is given as response to AT command.

Refer to 3GPP TS 24.008, 3GPP TS 23.040, 3GPP TS 22.042 and **COMMON PCN HANDSET SPECIFICATION** CPHS Phase 2 v4.2 for more information.

AT Commands Interface Guide for 6.57 Release

6.5.2 Syntax

Command syntax: AT+WOPN=<mode>,<NumOper>[,<lac>]

Response syntax: +WOPN: <mode>,<AlphaOper>

Command	Possible responses
AT+WOPN=? <i>Note: Test command</i>	OK
AT+WOPN=0,20801 <i>Note: Give an operator in numeric format</i>	+WOPN: 0,"Orange F" OK <i>Note: Alphanumeric answer</i>
AT+WOPN=0,99999 <i>Note: Give a wrong operator</i>	+CME ERROR: 22 <i>Note: Not found</i>
AT+WOPN=0,20801,36 <i>Note: Give an operator in numeric format for lac 36</i>	+WOPN: 0,"Orange F" OK <i>Note: Alphanumeric answer</i>
AT+WOPN=3,0 <i>Note: Erase NITZ PLMN names stored in flash memory</i>	OK
AT+WOPN=4 <i>Note: Read from EEPROM which method will be used for PLMN names.</i>	+WOPN: 31 OK
AT+WOPN=4,<PlmnOns> <i>Note: Write to EEPROM which method will be used for PLMN names.</i>	OK

AT Commands Interface Guide for 6.57 Release

6.5.3 Defined values

<mode>

- 0 Use long alphanumeric format
- 1 Use short alphanumeric format
- 2 Reserved for later use
- 3 Erase NITZ PLMN list if <NumOper> = 0
- 4 Access to EEPROM to read or write the method used for getting PLMN names.
Read access if <NumOper> omitted, write access if <NumOper> (= <PlmnOns>) provided.

<NumOper> is the operator in numeric format.

<AlphaOper> is the operator in long or short alphanumeric format (see appendix 19 Codes and values for operator names description)

<lac> is the two bytes Location Area Code to be used to get the PLMN name. If it is not entered, Current lac will be used (0 if limited service). It is provided as an integer value.

<PlmnOns> is a bit-field with following coding:

- bit 0 E-ONS
- bit 1 CPHS
- bit 2 SPN
- bit 3 NITZ
- bit 4 FLASH

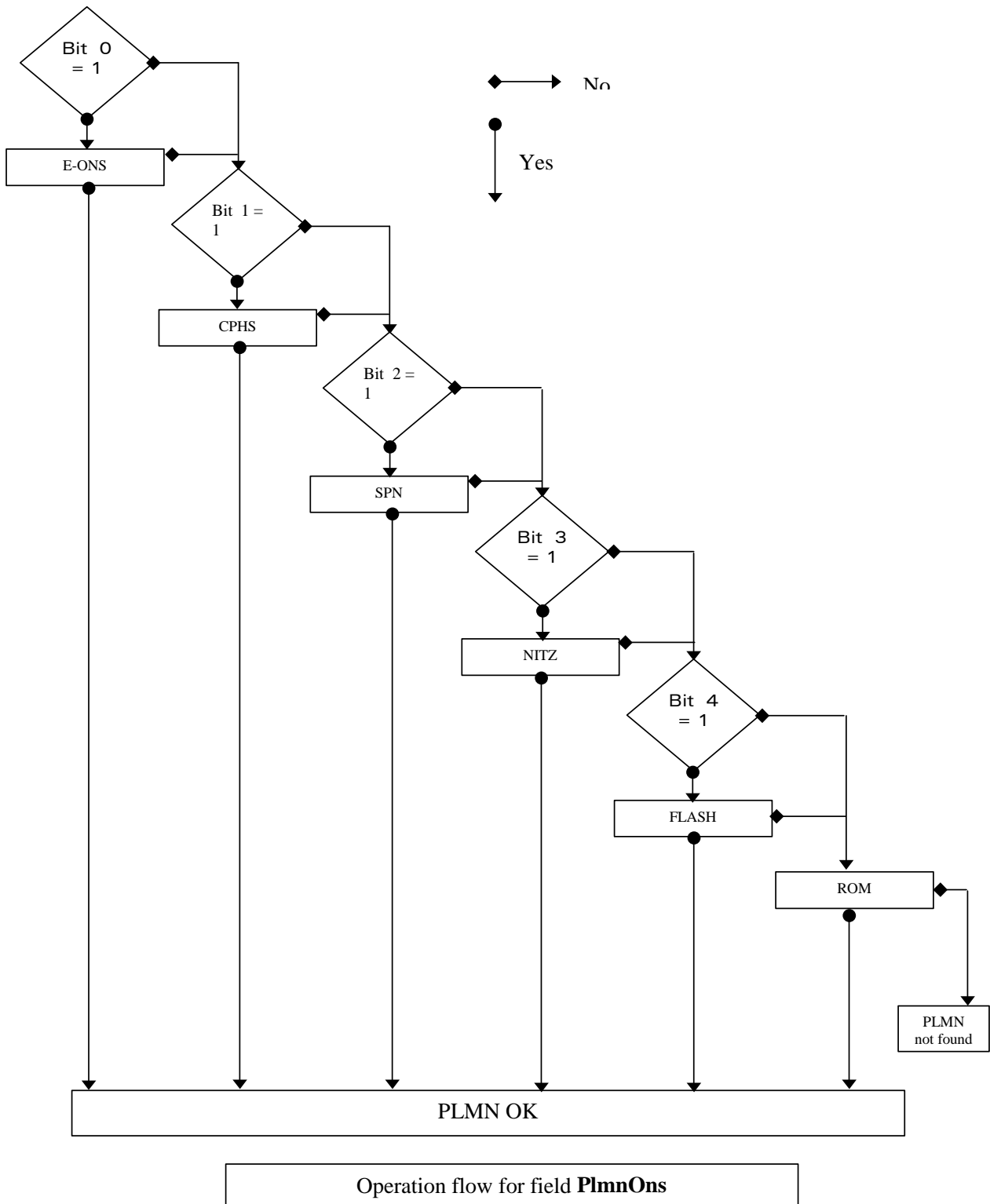
Bit 4 (FLASH)	Bit 3 (NITZ)	Bit 2 (SPN)	Bit 1 (CPHS)	Bit 0 (E-ONS)
---------------	--------------	-------------	--------------	---------------

Bit value is 1 for Activate and 0 for Deactivate the method. <PlmnOns> value should be provided as a decimal value.

1	1	1	1	1
---	---	---	---	---

Note: For example, <PlmnOns>=31 means that the four methods will be used for PLMN names (bit-field value is 1111 or 0x1F).

AT Commands Interface Guide for 6.57 Release



AT Commands Interface Guide for 6.57 Release

6.6 Selection of Preferred PLMN list +CPLS

6.6.1 Description

This command is used to select one PLMN selector with access technology list in the SIM card that is used by AT+CPOW command.

6.6.2 Syntax

Command syntax: AT+CPLS= <List>

Command	Possible responses
AT+CPLS? <i>Note: Ask for selection of the SIM file</i>	+CPLS: 1 OK <i>Note: EF_OPLMNwAct is selected</i>
AT+CPLS=0 <i>Note: selection of EF_PLMNwAct</i>	<i>Note: if EF_PLMNwAct is not present, EF_PLMNsel will be selected</i>
AT+CPLS=1 <i>Note: selection of EF_OPLMNwAct</i>	+CME ERROR: 3 <i>Note: EF_OPLMNwAct is not present</i>
AT+CPLS=? <i>Note: Get possible values</i>	+CPLS: (0,1,2) OK <i>Note: The 3 files with Acces technology are present and can be selected</i>
AT+CPLS=? <i>Note: Get possible values</i>	+CPLS: (0) OK <i>Note: Only EF_PLMNwAct or EF_PLMNsel can be selected</i>

6.6.3 Defined values

<List>:

0: User controlled PLMN selector with access technology EF_PLMNwAct

Note: if this file is not found EF_PLMNsel will be selected

1: Operator controlled PLMN selector with access technology EF_OPLMNwAct

2: Home PLMN selector with access technology EF_HPLMNwAct

AT Commands Interface Guide for 6.57 Release

6.7 Preferred operator list +CPOL

6.7.1 Description

This command is used to edit (or update) the SIM preferred list of networks.

This list is read in the SIM file selected by the command AT+CPLS.

6.7.2 Syntax

Command syntax: AT+CPOL=

[<index>] [,<format>[,<oper>[,<GSM_AcT>,<GSMcomp_Act>,<Utran_Act>]]]

The different possibilities are:

- AT+CPOL= <index> to delete an entry.
- AT+CPOL= , <format> to set the format used by the read command (AT+CPOL?).
- AT+CPOL= , <format>, <oper> to put <oper> in the next free location.
- AT+CPOL= <index> , <format> , <oper> to write <oper> in the <format> at the <index>.
- AT+CPOL= <index>,<format>,<oper>,<GSM_AcT>,<GSMcp_Act>,<Utran_Act> to write <oper> in the <format> at the <index> giving the access technology (in the case of EF_PLMNwact, EF_HPLMNwact or EF_OPLMNwact is present).

Note: per default if Acces technology parameters are not given, the GSM access technology will be chosen.

The supported format are those of the +COPS command.

The length of this list is limited to 85 entries for *EF_PLMNsel*, and 51 for *EF_PLMNwAct*, *EF_OPLMNwAct*, *EF_HPLMNwAct*.

AT Commands Interface Guide for 6.57 Release

Command	Possible responses
AT+CPOL? <i>Note: Ask for preferred list of networks With only EF_PLMNsel present</i>	+CPOL:1,2,26201 +CPOL: 6,2,20810 OK <i>Note: Preferred list of networks in numeric format (read in EF_PLMNsel)</i>
AT+CPOL? <i>Note: Ask for preferred list of networks With EF_PLMNwAct selected and present</i>	+CPOL:1,2,26201,1,0,0 +CPOL: 6,2,20810,1,0,0 OK <i>Note: Preferred list of networks in numeric format (read in EF_PLMNwAct) GSM access technology selected GSM compact access technology not selected Utran access technology not selected</i>
AT+CPOL=,0 <i>Note: Select long alphanumeric format</i>	OK
AT+CPOL? <i>Note: Ask for preferred list of networks With only EF_PLMNsel present</i>	+CPOL: 1,0,"D1-TELEKOM" +CPOL: 6,0,"F SFR" OK <i>Note: Preferred list of networks in long alphanumeric format</i>
AT+CPOL=7,2,20801 <i>Note: Add a network to the list</i>	OK
AT+CPOL? <i>Note: Ask for preferred list of networks With only EF_PLMNsel present</i>	+CPOL: 1,0,"D1-TELEKOM" +CPOL: 6,0,"F SFR" +CPOL: 7,0,"Orange F" OK <i>Note: Preferred list of networks in long alphanumeric format</i>
AT+CPOL=7 <i>Note: Delete 7th location</i>	OK

AT Commands Interface Guide for 6.57 Release

Command	Possible responses
AT+CPOL? <i>Note: Ask for preferred list of networks With only EF_PLMNsel present</i>	+CPOL: 1,0,"D1-TELEKOM" +CPOL: 6,0,"F SFR" OK <i>Note: Preferred list of networks in long alphanumeric format</i>
AT+CPOL=8,2,7777 <i>Note: Add a new network to the list With only EF_PLMNsel present</i>	OK
AT+CPOL=8,2,7777,0,0,1 <i>Note: Add a new network to the list With EF_PLMNwact present</i>	OK <i>Note: Acces technology UTRAN is selected</i>
AT+CPOL=8,2,7777 <i>Note: Add a new network to the list With EF_PLMNwact present</i>	OK <i>Note: Per default Acces technology GSM is selected</i>
AT+CPOL? <i>Note: Ask for preferred list of networks With only EF_PLMNsel present</i>	+CPOL: 1,0,"D1-TELEKOM" +CPOL: 6,0,"F SFR" +CPOL: 8,2,7777" OK <i>Note: Preferred list of networks in long alphanumeric format but 8th entry is unknown so the product edits it in the numeric format</i>
AT+CPOL=9,0,"Orange F" <i>Note: Add a new network to the list (text format)</i>	
AT+CPOL? <i>Note: Ask for preferred list of networks With only EF_PLMNsel present</i>	+CPOL: 1,0,"D1-TELEKOM" +CPOL: 6,0,"F SFR" +CPOL: 8,2,7777" +CPOL: 9,0,"Orange F" OK <i>Note: Preferred list of networks in long alphanumeric format</i>
AT+CPOL=?	+CPOL: (1-16),(0-2) OK <i>Note: The EF can accept 16 records, and supported format are 0,1 or 2.</i>

AT Commands Interface Guide for 6.57 Release

6.7.3 Defined values

<index>: position of the operator record in the SIM preferred operator list. Do AT+CPOI=? to get the maximum index of the selected EF.

<format>:

- 0 long alphanumeric format for <oper>
- 1 short alphanumeric format for <oper>
- 2 numeric format for <oper>

<oper>: character string or integer (see <format>) indicating operator identifier.

<GSM_Act>: GSM access technology

<GSMcomp_Act>: GSM compact access technology

<Utran_Act>: UTRA access technology

- 0 access technology not selected
- 1 access technology selected

6.8 Read operator name +COPN

6.8.1 Description

This command return the list of all operator names (in numeric and alphanumeric format) stored in the Wireless CPU.

6.8.2 Syntax

Command syntax: AT+COPN

Command response: +COPN: <NumOper>,<AlphaOper>

AT Commands Interface Guide for 6.57 Release

Command	Possible responses
AT+COPN <i>Note: Ask for preferred list of networks</i>	+COPN: 23201,"A1" +COPN: 23203,"A max." +COPN: 23207,"A tele.ring" +COPN: 23205,"one" ... OK +CME ERROR: <err>
AT+COPN=?	OK

6.8.3 Defined values

<NumOper> is the operator in numeric format.

<AlphaOper> is the operator in long alphanumeric format (see appendix 19 Codes and values for operator names description)

AT Commands Interface Guide for 6.57 Release

7 Security commands

7.1 Enter PIN +CPIN

7.1.1 Description

This command is used to enter the ME passwords (CHV1 / CHV2 / PUK1 / PUK2, etc.), that are required before any ME functionality can be used. **CHV1/CHV2** is between **4** and **8** digits long, **PUK1/PUK2** is **only 8 digits** long.

If the user application tries to make an outgoing call before the SIM PIN code (CHV1) has been confirmed, then the product will refuse the "ATD" command with a "+CME ERROR: 11" (SIM PIN required).

The application is responsible for checking the PIN after each reset or power on – if the PIN was enabled.

7.1.2 Syntax

Command syntax: AT+CPIN=<pin>

Command	Possible responses
AT+CPIN=1234 <i>Note: Enter PIN</i>	OK <i>Note: PIN code is correct</i>
AT+CPIN=5678 <i>Note: Enter PIN</i>	+CME ERROR: 3 <i>Note: Operation not allowed, PIN previously entered</i>

After 3 unsuccessful attempts to enter the PIN (Personal Identification Number), the PUK (Personal Unblocking Key) will be required. PUK validation forces the user to enter a new PIN code as a second parameter and this will be the new PIN code if PUK validation succeeds. CHV1 is then **enabled** if PUK1 is correct. The application therefore uses this command:

AT+CPIN=<Puk>,<NewPin>

Command	Possible responses
AT+CPIN=00000000,1234 <i>Note: Enter PUK and new PIN</i>	+CME ERROR: 16 <i>Note: Incorrect PUK</i>
AT+CPIN=12345678,1234 <i>Note: Enter PUK and new PIN, 2nd attempt</i>	OK <i>Note: PUK correct, new PIN stored</i>

AT Commands Interface Guide for 6.57 Release

To ascertain which code must be entered (or not), the following query command can be used:

AT+CPIN?

The possible responses are:

+CPIN: READY	<i>ME is not pending for any password</i>
+CPIN: SIM PIN	<i>CHV1 is required</i>
+CPIN: SIM PUK	<i>PUK1 is required</i>
+CPIN: SIM PIN2	<i>CHV2 is required</i>
+CPIN: SIM PUK2	<i>PUK2 is required</i>
+CPIN: PH-SIM PIN	<i>SIM lock (phone-to-SIM) is required</i>
+CPIN: PH-NET PIN	<i>Network personalization is required</i>
+CME ERROR: <err>	<i>SIM failure (13) absent (10) etc...</i>

Please note that in this case the mobile equipment does not end its response with the OK string.

The response +CME ERROR: 13 (SIM failure) is returned after 10 unsuccessful PUK attempts. The SIM card is then out of order and must be replaced by a new one.

AT Commands Interface Guide for 6.57 Release

Example: 3 failed PIN validations + 1 successful PUK validation

AT+CPIN?	<i>Read the PIN status</i>
+CPIN: SIM PIN	<i>The product requires SIM PIN</i>
AT+CPIN=1235	<i>First attempt to enter a SIM PIN</i>
+CME ERROR: 16	<i>Wrong PIN</i>
AT+CPIN=1236	<i>Second attempt</i>
+CME ERROR: 16	<i>Wrong PIN</i>
AT+CPIN=1237	<i>Third attempt</i>
+CME ERROR: 16	<i>Wrong PIN</i>
AT+CPIN?	<i>Read PIN state</i>
+CPIN: SIM PUK	<i>The product requires PUK</i>
AT+CPIN=99999999,5678	<i>The PUK is entered, the new PIN shall be 5678 PUK validation is OK. New Pin is 5678</i>
OK	
AT+CPIN?	<i>Read PIN state</i>
+CPIN: READY	<i>The product is ready</i>

If the user tries to do something which requires PIN2 (CHV2), the product will refuse the action with a "+CME ERROR: 17" (SIM PIN2 required). The product then waits for SIM PIN2 to be given.

Of course, if SIM PIN2 is blocked, SIM PUK2 is required instead of SIM PIN2.

For example, the product needs PIN2 to write in the fixed dialing phonebook (FDN) , so if SIM PIN2 authentication has not been performed during the current session, SIM PIN2 is required

AT Commands Interface Guide for 6.57 Release

Command	Possible responses
AT+CPBS="FD" <i>Note: Choose FDN</i>	OK
AT+CPBW=5,"01290917",129,"Jacky" <i>Note: Write in FDN at location 5</i>	+CME ERROR: 17 <i>Note: SIM PIN2 is required</i>
AT+CPIN?	+CPIN: SIM PIN2 <i>Note: SIM PIN2 is required</i>
AT+CPIN=5678 <i>Note: Enter SIM PIN2</i>	OK
AT+CPBW=2,"01290917",129,"Jacky" <i>Note: Write in FDN at location 5</i>	OK <i>Note: Now writing in FDN is allowed</i>

Please note that the product only requests PIN2 or PUK2 once. Therefore, if they are not entered properly, the next +CPIN? command will return "+CPIN: READY".

7.1.3 Defined values

<pin> Personal Identification Number. Four-digits number.

<puk> Personal Unblocking Key needed to change the PIN. Eight-digits number.

7.2 Enter PIN2 +CPIN2

7.2.1 Description

This **specific** command is used to validate the PIN2 code (CHV2), or to validate the PUK2 code (UNBLOCK CHV2) and to define a new PIN2 code.

Of course, the +CPIN command allows PIN2 or PUK2 codes to be validated, but **only** when the **last command executed resulted in PIN2 authentication failure**.

PIN2 length is between 4 and 8 digits, PUK2 length is 8 digits only.

AT Commands Interface Guide for 6.57 Release

7.2.2 Syntax

Command syntax: AT+CPIN2=<pin2>

Command	Possible responses
AT+CPIN2=1234 <i>Note: Enter PIN2</i>	OK <i>Note: PIN2 code is correct</i>
AT+CPIN2=5678 <i>Note: Enter PIN2</i>	+CME ERROR: 3 <i>Note: Operation not allowed, PIN2 previously entered</i>

After 3 unsuccessful attempts, PUK2 will then be required. PUK2 validation forces the user to enter a new PIN2 code as a second parameter and this will be the new PIN2 code if PUK1 validation succeeds. The application therefore uses this command:

AT+CPIN2=<puk2>,<NewPin2>

Command	Possible responses
AT+CPIN2=00000000,1234 <i>Note: Enter PUK2 and new PIN2</i>	+CME ERROR: 16 <i>Note: Incorrect Password (PUK2)</i>
AT+CPIN2=12345678,1234 <i>Note: Enter PUK2 and new PIN2, 2nd attempt</i>	OK <i>Note: PUK2 correct, new PIN2 stored</i>

To ascertain which code must be entered (or not), the following query command can be used:

AT+CPIN2?

The possible responses are

+CPIN2: READY	<i>No PIN2 is needed</i>
+CPIN2: SIM PIN2	<i>PIN2 is required</i>
+CPIN2: SIM PUK2	<i>PUK2 is required</i>
+CME ERROR: <err>	<i>Absent (10) etc...</i>

7.2.3 Defined values:

<pin2> Personal Identification Number 2.

<puk2> Personal Unblocking Key 2 needed to change the PIN2.

<Newpin2>

Note: PIN2 length is between 4 and 8 digits, PUK2 length is 8 digits only.

AT Commands Interface Guide for 6.57 Release

7.3 PIN remaining attempt number +CPINC

7.3.1 Description

This **specific** command is used to get the number of valid attempts for PIN1 (CHV1), PIN2 (CHV2), PUK1 (UNBLOCK CHV1) and PUK2 (UNBLOCK CHV2) identifiers.

7.3.2 Syntax

Command syntax: AT+CPINC

Response syntax: +CPINC: <n1>,<n2>,<k1>,<k2>

Command	Possible responses
AT+CPINC <i>Note: Get the number of attempts left</i>	+CPINC: 2,3,10,10 OK <i>Note: First CHV1 attempt was a failure</i>
AT+CPINC? <i>Note: Get current values</i>	+CPINC: 2,3,10,10 OK <i>Note: First attempt was a failure</i>
AT+CPINC=? <i>Note: Get possible values</i>	OK

7.3.3 Defined values

<n1>, <n2> are the attempts left for PIN1, PIN2 (0 = blocked, 3 max)

<k1>, <k2> are the attempts left for PUK1, PUK2 (0 = blocked, 10 max)

If the card is not present at the time of initialization, +CME ERROR: 10 will be sent.

7.4 Facility lock +CLCK

7.4.1 Description

This command is used by the application to lock, unlock or interrogate an ME or network facility <fac>.

Note: Test SIM cards (with MCC=001 & MNC=01) doesn't check "PS", "PN", "PU", "PP" and "PC" locks.

AT Commands Interface Guide for 6.57 Release

7.4.2 Syntax

Command syntax: AT+CLCK=<fac>,<mode>[,<passwd>[,<class>]]

Response syntax: +CLCK: <status> [,<class1>]<CR><LF>

+CLCK: <status>,<class2> [...]]

Command	Possible responses
AT+CLCK="SC",1,1234 <i>Note: Enable PIN</i>	OK <i>Note: PIN was correct</i>
AT+CLCK? <i>Note: Read PIN status</i>	+CLCK:("PS",0),("SC",0),("FD",0),("PN",0),("PU",0),("PP",0),("PC",0) OK <i>Note: PIN is enabled, no SIM lock, no network lock, no information on Call barring</i> <i>(no longer supported in GSM 07.07)</i>
AT+CLCK="SC",0,5555 <i>Note: Disable PIN</i>	+CME ERROR: 16 <i>Note: PIN was wrong</i>
AT+CPIN=1234 <i>Note: Enter PIN</i>	OK <i>Note: PIN was good</i>
AT+CLCK=? <i>Note: Request supported facilities</i>	+CLCK: ("PS","SC","AO","OI","OX","AI","IR","AB","AC","FD","PN","PU","PP","PC") OK <i>Note: Supported facilities</i>
AT+CLCK="PN",1,12345678 <i>Note: Activate network lock</i>	OK <i>Network lock activated</i>
AR+CLCK="AO",1,1234,2 <i>Note: Activate all outgoing calls barring for data calls</i>	OK <i>Note: Call barring is activate</i>
AT+CLCK="AO",2 <i>Note: Query BAOC status</i>	+CLCK: 1,2 OK <i>Note: BAOC activate for data calls only</i>
AT+CLCK="SC",0,0000 <i>Note: Disable PIN</i>	+CME ERROR: 521 <i>Note: PIN deactivation is forbidden with this SIM card</i>

AT Commands Interface Guide for 6.57 Release

7.4.3 Defined values

<fac>: supported facilities

- "PS": SIM lock facility with a 8 digits password.
- "SC": PIN enabled (<mode> = 1) / disabled (<mode> = 0)
- "AO": BAOC (Barr All Outgoing Calls)
- "OI" : BOIC (Barr Outgoing International Calls)
- "OX": BOIC-exHC (Barr Outgoing. International Calls except to Home Country)
- "AI" : BAIC (Barr All Incoming Calls)
- "IR" : BIC-Roam (Barr Inc. When Roaming outside Home Country)
- "AB": All Barring services
- "AG": All outGoing barring services
- "AC": All inComing barring services
- "PN": Network lock with a 8 digits password (NCK).
- "PU": Network Subset lock with a 8 digits password (NSCK).
- "PP": Service Provider lock with a 8 digits password (SPCK).
- "PC": Corporate lock with a 8 digits password (CCK).
- "FD": SIM Fixed Dialing Numbers (FDN) memory feature (PIN2 is required as <password>)

<mode>

- 0: unlock the facility
- 1: lock the facility
- 2: query status

<class>

- 1: Voice (telephony)
- 2: Data (apply to all bearer services)
- 4: Fax (facsimile services)
- 8: Short Message service
- 7: Voice, Data and Fax (Default value)

Any attempt to combine different classes will result in activation / deactivation / interrogation of Voice, Data and Fax.

If <class> is omitted, default value 7 will be used.

Password maximum length is given with the AT+CPWD=? Command.

Note: It will not possible to lock the FDN phonebook if this one is not loaded.

AT Commands Interface Guide for 6.57 Release

7.5 Change password +CPWD

7.5.1 Description

This command is used by the application to change a password (PIN, call barring, NCK, etc.). The facility values (<fac>) are the same as for the +CLCK command with a "P2" facility to manage SIM PIN2.

For the network lock ("PN"), unlocking is forbidden after 10 failed attempts to disable (unlock) the network lock with an incorrect password.

7.5.2 Syntax

Command syntax: AT+CPWD= <fac>, <oldpwd>, <newpwd>

Command	Possible responses
AT+CPWD=? <i>Note: Possible values</i>	+CPWD: ("PS",8), ("SC",8), ("AO",4), ("OI",4), ("OX",4), ("AI",4), ("IR",4), ("AB",4), ("AG",4), ("AC",4), ("P2",8), ("FD",8), ("PN",8), ("PU",8), ("PP",8), ("PC",8) OK <i>Note: CHV1/CHV2 must be on 8 digits maximum (4 mini). For call barring, on 4 digits maximum</i>
AT+CPWD="SC",1234,5555 <i>Note: Change PIN</i>	OK <i>Note: PIN was correct</i>
AT+CPWD="SC",1234,5555 <i>Note: Change PIN</i>	+CME ERROR: 16 <i>Note: PIN was wrong</i>
AT+CPIN=5555 <i>Note: Enter PIN</i>	OK <i>Note: PIN was correct</i>
AT+CPWD="PN",12345678,00000000 <i>Note: Change NCK</i>	OK <i>Note: NCK changed for net lock</i>

AT Commands Interface Guide for 6.57 Release

7.5.3 Defined values

<fac>: facility

- "PS"
- "SC"
- "AO"
- "OI"
- "OX"
- "AI"
- "IR"
- "AB"
- "AG"
- "AC"
- "P2"
- "FD"
- "N"
- "U"
- "P"
- "C"

<oldpwd>, <newpwd>

On 4 or up to 8 or 16 digits according to the facility.

AT Commands Interface Guide for 6.57 Release

8 Phonebook commands

A phonebook group can hold up to 100 entries. These entries can come from different phonebooks (SIM or/and Flash phonebook).

Please refer to §3.3 for details on numbers length.

When a SIM is inserted, the phonebook selected by default is set by the command +CPBS (cf. the Notes of the section '8.2 Select phonebook memory storage +CPBS' for more information).

8.1 Parameters definition

8.1.1 SIM Contact Structure

<num_Home> *Home phone number*

<Name> *Name*

Please refer to §3.3 for details on <num_Home> length.

8.1.2 Extended SIM Contact Structure

<num_Home> *Home phone number*

<Name> *Name*

<Phb_Group> *Phonebook group*

Please refer to §3.3 for details on <num_Home> length.

This structure can be used to write and read contacts in mode extended (+WCOS=1) and with ADN phonebook selected (+CPBS="SM")

AT Commands Interface Guide for 6.57 Release

8.1.3 Extended Contact Structure

<code><num_Home></code>	<i>Home phone number</i>
<code><Name></code>	<i>Name</i>
<code><num_Mobile></code>	<i>Mobile phone number</i>
<code><num_Work></code>	<i>Work phone number</i>
<code><num_Fax></code>	<i>Fax number</i>
<code><num_Data></code>	<i>Data phone number</i>
<code><Email></code>	<i>E-mail address</i>
<code><Address></code>	<i>Postal address</i>
<code><Phb_Group></code>	<i>Phonebook group</i>

Please refer to §3.3 for details on `<num_Home>` length.

The structure including `<num_Mobile>`, `<num_Work>`, `<num_Fax>`, `<num_Data>`, `<Email>` and `<Address>` will be represented by `<Contact>` in the rest of this document.

So, the extended structure can be represented by:

<code><num_Home></code>	<i>Home phone number</i>
<code><Name></code>	<i>Name</i>
<code><Contact></code>	<i>Contact Structure</i>
<code><Phb_Group></code>	<i>Phonebook group</i>

Please refer to §3.3 for details on `<num_Home>` length.

This structure can be used to write and read contacts in mode extended (+WCOS=1) and with ME phonebook selected (+CPBS="ME")

Please refer to examples in §20 Examples.

8.1.4 Phonebook groups parameter definition

<code><index></code>	<i>Group index</i>
<code><name></code>	<i>Group name</i>
<code><phb_entry_index></code>	<i>Phonebook entry index</i>
<code><restrict call></code>	<i>Restrict call mode for incoming calls</i>

AT Commands Interface Guide for 6.57 Release

8.2 Select phonebook memory storage +CPBS

8.2.1 Description

This command selects phonebook memory storage.

Note on ADN and FDN activation: when FDN has been activated with the +CLCK command, the selection of ADN phonebook is possible only if ADN status bit3 is set to 1 (EF file "readable and updatable when invalidated"). Please refer to Recommendation 3GPP 11.11 for more details.

Note:

The previously selected phonebook remains the same when the Wireless CPU is switched on or reset, even if a new SIM card is inserted.

However, in the case when the replacement SIM card does not contain any selected phonebook, the ADN phonebook is selected.

8.2.2 Syntax

Command syntax: AT+CPBS=<pb>[,<pin2>]

Command	Possible responses
AT+CPBS="SM" <i>Note: Select ADN phonebook</i>	OK <i>Note: ADN phonebook is selected</i>
AT+CPBS=? <i>Note: Possible values</i>	+CPBS: ("SM","LD","MC","ON","ME","RC","MT","SN","EN") OK
AT+CPBS? <i>Note: Status</i>	+CPBS:"SM",10,20 OK <i>Note: ADN phonebook selected, 10 locations used, 20 locations available</i>

Selection of ADN phonebook when FDN is active is SIM dependent.

Note: Selection of "FD" phonebook with <pin2>, when <pin2> is already verified, will give error CME ERROR: 3

AT Commands Interface Guide for 6.57 Release

8.2.3 Defined values

<pb>: phonebook

- "SM": ADN Abbreviated Dialing Numbers (SIM phonebook)
- "FD": FDN Fixed Dialing Numbers (SIM restricted phonebook)
- "ON": MSISDN (SIM own numbers)
- "EN": ECC Emergency Call Codes (SIM or ME)
- "LD": LND Last Number Dialed
- "MC": ME missed (unanswered received) calls list
- "ME": ME phonebook
- "MT": combined ME and SIM phonebook (ME+SM)
- "RC": ME received calls list
- "SN": SDN Service Dialing Numbers (SIM special service numbers)

Note: "EN" will be available even if ECC SIM file is not present.

When the SIM is not present, the following emergency numbers are available :

000, 08, 112, 110, 118, 119, 911, 999

When a SIM is present, the following emergency numbers are available :

112, 911, emergency numbers from ECC SIM files (if existing)

<pin2>: Personal Identification Number 2.

Note: The following emergency numbers are stored in E2P:

- 112
- 911
- 999
- 08

So, "EN" will be available even if ECC SIM file is not present.

Note: The maximum number of entries for ME phonebook is set to 500 .

AT Commands Interface Guide for 6.57 Release

8.3 Read phonebook entries +CPBR

8.3.1 Description

This command returns phonebook entries for a range of locations from the current phonebook memory storage selected with +CPBS.

Note: For all phonebook read commands (+CPBR, +CPBF, +CPBN, +CPBP, +CNUM), the TON/NPI MSB of each number is set to 1 (ex: a TON/NPI stored as 17 is displayed as 145).

If the AT+WCOS=1 command was used, the response will include <Contact> structure.

8.3.2 Syntax

Command syntax: AT+CPBR=<first_entry>[,<last_entry>]

Response syntax:

- The entry is stored in the ADN phonebook and AT+WCOS=0
<CR><LF>+CPBR: <loc>,<num>,<type>,<name>
[<CR><LF>+CPBR: <loc>,<num>,<type>,<name> [...]]
- The entry is stored in the ADN phonebook and AT+WCOS=1
<CR><LF>+CPBR: <loc>,<num>,<type>,<name>,<Phb_group>
[<CR><LF>+CPBR: <loc>,<num>,<type>,<name>,<Phb_group> [...]]
- The entry is stored in the ME phonebook and AT+WCOS=0:
<CR><LF>+CPBR: <loc>,<num>,<type>,<name>
[<CR><LF>+CPBR: <loc>,<num>,<type>,<name> [...]]
- The entry is stored in the ME phonebook and AT+WCOS=1
<CR><LF>+CPBR:
<loc>,<num>,<type>,<name>,<Contact>,<Phb_group>
[<CR><LF>+CPBR:
<loc>,<num>,<type>,<name>,<Contact>,<Phb_group> [...]]

AT Commands Interface Guide for 6.57 Release

Command	Possible responses
AT+CPBR=? <i>Note: Test command</i>	+CPBR: (1-50),20,10 OK <i>Note: 50 locations (from 1 to 50), max length for phone number is 20 digits, 10 characters max for the text</i>
AT+WCOS? <i>Note: Test command</i>	+WCOS: 0 OK <i>Note: Contact not selected</i>
AT+CPBR=12,14 <i>Note: Read entries from 12 to 14</i>	+CPBR: 12,"112",129,"Emergency" +CPBR: 13,"+331290909",145,"Fred" +CPBR: 14,"0146290808",129,"Zazi" OK <i>Note: Display locations 12,13,14 with location, number, type (TON/NPI), Text</i>
AT+CPBR=10 <i>Note: Read entry 10</i>	+CPBR: 10,"0146290921",129,"Rob" OK <i>Note: Display location 10</i>
AT+CPBR=11 <i>Note: Read entry 11 (UCS2 format)</i>	+CPBR: 11,"0146290921",129,"8000010002FFFF" OK <i>Note: Display location 11</i>
AT+CPBR=52 <i>Note: Read entry 52 (wrong)</i>	+CME ERROR: 21 <i>Note: Invalid index</i>
AT+CPBS="ME" <i>Note: Flash memory</i>	OK
AT+WCOS=1	OK <i>Note: Contact selected</i>

AT Commands Interface Guide for 6.57 Release

Command	Possible responses
AT+CPBR=13 <i>Note: Read entry</i>	+CPBR: 13,"+331290909",145,"Fred", "0141284549", 129, "0600003210", 129, "0141280000", 129, "019876543210", 129, "fred@mail_address.com", "Becker Street London",1 OK <i>Note: Display locations 13 with location, number, type (TON/NPI), Text and Contact and Phonebook Group n°1</i>
AT+CPBS="SM" <i>Note: ADN phonebook</i>	OK
AT+CPBR=1	+CPBR=1,"0123456",129,"test" OK
AT+CPBW=1,"0123456",,"test",1 <i>Note: Add an extended entry in SIM with group number (1)</i>	OK
AT+CPBR=1	+CPBR=1,"0123456",129,"test",1 OK

8.3.3 Defined values

<first_entry>, <last_entry>

location (or range of locations) where to read phonebook entry.

<type (TON/NPI)>

Type of address byte in integer format. Value is 145 if the dialing string (<number> response value) includes the international access code character '+', else value is 129.

AT Commands Interface Guide for 6.57 Release

8.4 Write phonebook entry +CPBW

8.4.1 Description

This command writes a phonebook entry in location number *<index>* in the current phonebook memory storage.

Notes:

- "RC" and "MC" phonebooks could be only erased by +CPBW. Adding field and/or modifying field is not allowed for these phonebooks.
- This command is not allowed for "EN", "LD", "MC", "RC", "MT", "SN" phonebooks, which can not be written.
- *If the AT+WCOS=1 command was used, the request would include the 'Contact' structure.*

8.4.2 Syntax

Command syntax:

- For ADN phonebook with AT+WCOS=0
AT+CPBW=<index>[,<number>[,<type>[,<text>]]]
- For ADN phonebook with AT+WCOS=1
AT+CPBW=<index>[,<number>[,<type>[,<text> [,<Phb_group>]]]]
- For ME phonebook with AT+WCOS=0
AT+CPBW=<index>[,<number>[,<type>[,<text>]]]
- For ME phonebook with AT+WCOS=1
AT+CPBW=<index>[,<number>[,<type>[,<text>[,<Contact> [,<Phb_group>]]]]]

Command	Possible responses
AT+CPBS="SM" <i>Note: ADN phonebook</i>	OK
AT+CPBS? <i>Note: Which phonebook is selected ?</i>	+CPBS:"SM",1,10 OK <i>Note: ADN phonebook is selected, 1 location is used and 10 locations are available</i>
AT+WCOS=0 <i>Note: Phonebook not extended</i>	OK

AT Commands Interface Guide for 6.57 Release

Command	Possible responses
AT+CPBW=? <i>Note: Test command</i>	+CPBW: (1-50),20,(129,145),10 OK <i>Note: 50 locations, phone number = 20 digits max, TON/NPI of 129 or 145, text length = 10</i>
AT+CPBW=5,"112",129,"SOS" <i>Note: Write at location 5</i>	OK <i>Note: Location 5 written</i>
AT+CPBR=5 <i>Note: Read the entry at location 5</i>	+CPBR: 5,"112",129,"SOS"
AT+CPBS? <i>Note: Which phonebook is selected ?</i>	+CPBS:"SM",2,10 OK <i>Note: ADN phonebook is selected, 2 locations are used and 10 locations are available</i>
AT+CPBW=5,"01290917",129,"Jacky" <i>Note: Overwrite location 5</i>	OK <i>Note: Location 5 overwritten</i>
AT+CPBW=6,"01292349",129,"8000410042" <i>Note: write location 6 (UCS2 format for the <text> field)</i>	OK <i>Note: Location 6 is written</i>
AT+CPBW=8,"01292349",129,"80xyz" <i>Note: write location</i>	OK <i>Note: Location 8 is written. The string has a wrong UCS2 format, it is therefore considered as an ASCII string</i>
AT+CPBW=5,"01290917",129,"Jacky",1 <i>Note: Write an extended entry</i>	+CME ERROR: 3 <i>Note: Error because +WCOS: 0</i>
AT+WCOS=1 <i>Note: Phonebook extended</i>	OK
AT+CPBW=5,"01290917",129,"Jacky",1 <i>Note: Write an extended entry</i>	OK
AT+WCOS=0 <i>Note: Phonebook not extended</i>	OK
AT+CPBS="ME" <i>Note: ME phonebook</i>	OK
AT+CPBS? <i>Note: How many entries are used ?</i>	+CPBS: "ME",2,500 <i>Note: in ME phonebook, 2 locations are used and 500 locations are available. .</i>
AT+CPBW=1,"0123456798",129,"first entry" <i>Note: Write an not extended entry</i>	OK

AT Commands Interface Guide for 6.57 Release

Command	Possible responses
AT+CPBW=1,"0123456798",129,"first entry",9876543210",129 <i>Note: Write an extended entry</i>	+CME ERROR: 3 <i>Note: Error because +WCOS: 0</i>
AT+CPBR=1 <i>Note: Read the first entry</i>	+CPBR: 1,"0123456798",129,"first entry"
AT+WCOS=1 <i>Note: Phonebook extended</i>	OK
AT+CPBW=1,"0123456798",129,"first entry" <i>Note: Write an entry not extended</i>	OK
AT+CPBW=2,"9876543210",129,"second entry",6543210987",129 <i>Note: Write an entry extended</i>	OK
AT+CPBR=1,2 <i>Note: Read entry 1 and 2</i>	+CPBR: 1,"0123456798",129,"first entry"
AT+CPBW=13,"+331290909",145,"Fred", "0141284549",129,"0600003210",129,"0141280000",129,"019876543210",129,"fred@mail_address.com", "Becker Street London",1 <i>Note: write location with Contact and Phonebook Group n°1</i>	OK <i>Note: Location 13 is written</i>
AT+CPBW=",+33145221100",145,"SOS" <i>Note: Write at the first location available</i>	OK <i>Note: First location available is written</i>
AT+CPBW="0345221100",129,"SOS" <i>Note: Write at the first location available</i>	+CME ERROR: 20 <i>Note: Phonebook full</i>
AT+CPBW=57,"112",129,"WM" <i>Note: Write at location 57 (wrong)</i>	+CME ERROR: 21 <i>Note: Invalid index</i>
AT+CPBW=7,"012345678901234567890",129,"WAVE" <i>Note: Write at location 7 a phone number exceeding the limit (21 digits)</i>	+CME ERROR: 26 <i>Note: Phone number too long</i>
AT+CPBW=7,"0122334455",129,"WAVECOM TEL" <i>Note: Write at location 7 along text (11 characters)</i>	+CME ERROR: 24 <i>Note: Text too long</i>
AT+CPBS="SM" <i>Note: ADN phonebook</i>	OK

AT Commands Interface Guide for 6.57 Release

Command	Possible responses
AT+WCOS?	+WCOS: 1 OK <i>Note: Extended phonebook</i>
AT+CPBR=1	+CPBR:1,"0123456",129,"test" OK
AT+CPBW=1,"0123456",,"test",1 <i>Note: Add an extended entry in SIM with group number (1)</i>	OK
AT+CPBR=1	+CPBR:1,"0123456",129,"test",1 OK
AT+CPBW=13,"+331290909",145,"Fred","0141284549",129,"0600003210",129,"0141280000", 129, "019876543210",129,"fred@mail_address.com", "Becker Street London",1 <i>Note: save the entry in the phonebook group #1</i>	OK
AT+CPBW=13,"+331290909",145,"Fred","0141284549",129,"0600003210",129,"0141280000", 129, "019876543210",129,"fred@mail_address.com", "Becker Street London" <i>Note: save the entry without phonebook group</i>	OK
AT+CPBW=13,"+331290909",145,"Fred","0141284549",129,"0600003210",129,"0141280000", 129, "019876543210",129,"fred@mail_address.com", "Becker Street London",0 <i>Note: save the entry without phonebook group</i>	OK

AT Commands Interface Guide for 6.57 Release

This command is not allowed when the fixed dialing phonebook (FDN) is locked. Moreover, **when the FDN is unlocked, PIN2 is required to write** in the FDN phonebook. If PIN2 authentication has been performed during the current session, the +CPBW command with FDN is allowed.

Command	Possible responses
AT+CPBS="FD" <i>Note: Choose FDN</i>	OK
AT+CPBW=5,"01290917",129,"Jacky" <i>Note: Write in FDN at location 5</i>	+CME ERROR: 17 <i>Note: SIM PIN2 is required</i>
AT+CPIN? <i>Note: Enter SIM PIN2</i>	+CPIN: SIM PIN2 <i>Note: SIM PIN2 is required</i>
AT+CPIN=5678 <i>Note: Enter SIM PIN2</i>	OK
AT+CPBW=5,"01290917",129,"Jacky" <i>Note: Write in FDN at location 5</i>	OK <i>Note: Writing in FDN is now allowed</i>

8.4.3 Defined values

<index> Integer type value depending on the capacity of the phonebook memory.

<number> Phone number in ASCII format(see § 3.3 Length of phone numbers).

<type> TON/NPI (Type of address octet in integer format).

Note: Value is 145 if the dialing string (<number> response value) includes the international access code character '+', else value is 129 (ex: a <type> value of 17 will be written as 145).

<text> String type. Maximum length of **<text>** field is:

- For the ME phonebook, 30 ASCII characters.
- For the ADN phonebook: SIM dependant (use AT+CPBW=?)

Notes:

- For the <text> parameter all strings starting with "80" , "81" or "81" are considered in UCS2 format.
- *The +CSCS (Select Character set) command does not affect the format for phonebook entries.*

<contact> Contact structure

<Phb_Group>: phonebook group number in which the entry should be saved.

AT Commands Interface Guide for 6.57 Release

Range of value is 1 to 10. If the entry must not be saved in a group, <Phb_Group> = 0 or can be omitted.

8.5 Find phonebook entries +CPBF

8.5.1 Description

This command returns phonebook entries with alphanumeric fields starting with a given pattern. The AT+CPBF="" command can be used to display all phonebook entries sorted in alphabetical order.

This command is not allowed for "LD", "RC", "MC" phonebooks and for the "EN" phonebook, which does not contain alphanumeric fields.

It is possible to use this command with UCS2 strings. If a wrong UCS2 format is entered, the string is considered as an ASCII string.

8.5.2 Syntax

Command syntax: AT+CPBF=<string>

Response syntax:

- The entry is stored in the ADN phonebook and AT+WCOS=0
<CR><LF>+CPBF: <loc>,<num>,<type>,<name>
- The entry is stored in the ADN phonebook and AT+WCOS=1
<CR><LF>+CPBF: <loc>,<num>,<type>,<name>,<Phb_group>
- The entry is stored in the ME phonebook and AT+WCOS=0
<CR><LF>+CPBF: <loc>,<num>,<type>,<name>
- The entry is stored in the ME phonebook and AT+WCOS=1
<CR><LF>+CPBF:
<loc>,<num>,<type>,<name>,<Contact>,<Phb_group>

Command	Possible responses
AT+CPBF=? <i>Note: Test command</i>	+CPBF: 20,14 OK <i>Note: Max length for phone number is 20 digits, 14 characters for the text</i>
AT+CPBF="E" <i>Note: Read entries with "E"</i>	+CPBF: 12,"112",129,"Emergency" +CPBF: 15,"+331290101",145,"Eric" OK <i>Note: Display locations with text field starting with "E"</i>

AT Commands Interface Guide for 6.57 Release

Command	Possible responses
AT+CPBF="H" <i>Note: Read entries with "H"</i>	+CME ERROR: 22 <i>Note: No entry found</i>
AT+CPBF="800001" <i>Note: Read entries starting with 0001 UCS2 character</i>	+CPBF: 11, "0146290921", 129, "8000010002FFFF" OK <i>Note: Display locations with text field starting with 0001 UCS2 character</i>
AT+CPBF="8045C" <i>Note: Read entries with "8045C" (ASCII format)</i>	+CME ERROR: 22 <i>Note: No entry found. The string has a wrong UCS2 format, it is therefore considered as an ASCII string</i>
AT+CPBS="SM" <i>Note: ADN phonebook</i>	OK
AT+WCOS=0 <i>Note: Phonebook not extended</i>	OK
AT+CPBF="Test" <i>Note: Read entries with "Test"</i>	+CPBF: 1,"0123456789",129,"Test ADN" <i>Note: Display locations with text field starting with "Test"</i>
AT+WCOS=1 <i>Note: Phonebook extended</i>	OK
AT+CPBF="Test" <i>Note: Read entries with "Test"</i>	+CPBF: 1,"0123456789",129,"Test ADN",0 <i>Note: Display locations with text field starting with "Test", extended entry</i>
AT+CPBS="ME" <i>Note: ADN phonebook</i>	OK
AT+WCOS=0 <i>Note: Phonebook not extended</i>	OK
AT+CPBF="Test" <i>Note: Read entries with "Test"</i>	+CPBF: 1,"0123456789",129,"Test ME" <i>Note: Display locations with text field starting with "Test"</i>
AT+WCOS=1 <i>Note: Phonebook extended</i>	OK
AT+CPBF="Test" <i>Note: Read entries with "Test"</i>	+CPBF: 1,"0123456789",129,"Test ME", "9876543210", 129,"", "", "", "e_mail@mail_address.com","post address",0 <i>Note: Display locations with text field starting with "Test", extended entry</i>

AT Commands Interface Guide for 6.57 Release

8.5.3 Defined values

<string>	Searched pattern string (depends on the format of data stored in the phonebooks)
<loc>	location number (20 digits max)
<num>	phone number (20 digits max)
<type>	TON/NPI (Type of address byte in integer format)
<contact>	Extended contact structure

8.6 Phonebook phone search +CPBP

8.6.1 Description

This **specific** command orders the product to search in the phonebook for an item with the same phone number as provided in the parameter.

The searched phone number is the **FIRST** one that a user can enter with AT+CPBW:

For example, with this enter, we can only search the phone number (+331290909):

```
AT+CPBW=13,"+331290909",145,"Fred","0141284549",129,"0600003210",129,"0141280000",129,"019876543210",129,"fred@mail_address.com", "Becker Street London","0"
```

8.6.2 Syntax

Command syntax: AT+CPBP=<PhoneNumber>

Response syntax:

- The entry is stored in the ADN phonebook and AT+WCOS=0
<CR><LF>+CPBP: <loc>,<num>,<type>,<name>
- The entry is stored in the ADN phonebook and AT+WCOS=1
<CR><LF>+CPBP: <loc>,<num>,<type>,<name>,<Phb_group>
- The entry is stored in the ME phonebook and AT+WCOS=0
<CR><LF>+CPBP: <loc>,<num>,<type>,<name>
- The entry is stored in the ME phonebook and AT+WCOS=1
<CR><LF>+CPBP: <loc>,<num>,<type>,<name>,<Contact>,<Phb_group>

AT Commands Interface Guide for 6.57 Release

Command	Possible responses
AT+CPBP=? <i>Note: Test command</i>	+CPBP: (1-50),20,10 OK <i>Note: 50 locations (from 1 to 50), max length for phone number is 20 digits, 10 characters max for the text</i>
AT+CPBP="+331290101" <i>Note: Search entries corresponding to this phone number</i>	+CPBP: 15,"+331290101",145,"Eric" OK <i>Note: Display the entry corresponding to the specified phone number</i>
AT+CPBP="+331290101" <i>Note: Search entries corresponding to this phone number</i>	+CPBP: 15,"01290101",129,"Eric" OK <i>Note: Display the entry corresponding to the specified phone number</i>
AT+CPBP="01290202" <i>Note: Search entries corresponding to this phone number</i>	+CPBP: 15,"+331290202",145,"David" OK <i>Note: Display the entry corresponding to the specified phone number</i>
AT+CPBP="+331288575" <i>Note: Search entries corresponding to this phone number</i>	+CPBP: 15, "+331290101", 145, "8045682344FFFF" OK <i>Note: Display the entry corresponding to the specified phone number (UCS2 format)</i>
AT+CPBP="0129" <i>Note: Search entries corresponding to this phone number</i>	+CME ERROR: 22 <i>Note: Entry not found</i>
AT+CPBS="SM" <i>Note: ADN phonebook</i>	OK
AT+WCOS=0 <i>Note: Phonebook not extended</i>	OK
AT+CPBP="0123456789" <i>Note: Search entries corresponding to this phone number</i>	+CPBP: 1,"0123456789",129,"Test ADN" <i>Note: Display the entry corresponding to the specified phone number</i>
AT+WCOS=1 <i>Note: Phonebook extended</i>	OK
AT+CPBP="0123456789" <i>Note: Search entries corresponding to this phone number</i>	+CPBP: 1,"0123456789",129,"Test ADN",0 <i>Note: Display locations with text field starting with "Test", extended entry</i>
AT+CPBS="ME" <i>Note: ADN phonebook</i>	OK

AT Commands Interface Guide for 6.57 Release

Command	Possible responses
AT+WCOS=0 Note: Phonebook not extended	OK
AT+CPBP="0123456789" <i>Note: Search entries corresponding to this phone number</i>	+CPBP: 1,"0123456789",129,"Test ME" <i>Note: Display locations with text field starting with "Test"</i>
AT+WCOS=1 Note: Phonebook extended	OK
AT+CPBP="0123456789" <i>Note: Search entries corresponding to this phone number</i>	+CPBP: 1,"0123456789",129,"Test ME","9876543210",129,"","","","e_mail@somewhere.com","postal address",0 <i>Note: Display locations with text field starting with "Test", extended entry</i>

8.6.3 Defined values

<PhoneNumber>	phone number (is coded like any GSM 07.07 or GSM 07.05 phone number)
<loc>	location number
<num>	phone number
<type>	TON/NPI (Type of address octet in integer format)
<contact>	contact structure

8.7 Move action in phonebook +CPBN

8.7.1 Description

This specific command performs a forward or backward move in the phonebook (in alphabetical order). It is not allowed for the "EN" phonebook which does not contain alphanumeric fields.

8.7.2 Syntax

Command syntax: AT+CPBN=<mode>

Response syntax:

- The entry is stored in the ADN phonebook and AT+WCOS=0
<CR><LF>+CPBN: <loc>,<num>,<type>,<name>

AT Commands Interface Guide for 6.57 Release

- The entry is stored in the ADN phonebook and AT+WCOS=1
<CR><LF>+CPBN: <loc>,<num>,<type>,<name>,<Phb_group>
- The entry is stored in the ME phonebook and AT+WCOS=0
<CR><LF>+CPBN: <loc>,<num>,<type>,<name>
- The entry is stored in the ME phonebook and AT+WCOS=1
<CR><LF>+CPBN:
<loc>,<num>,<type>,<name>,<Contact>,<Phb_group>

Command	Possible responses
AT+CPBN=? <i>Note: Test command</i>	+CPBN: (0-5) OK <i>Note: Possible modes</i>
AT+CPBS="SM" <i>Note: ADN phonebook</i>	OK
AT+WCOS=0 <i>Note: Phonebook not extended</i>	OK
AT+CPBN=0 <i>Note: Read the first location</i>	+CPBN: 15,"+331290101",145,"Eric" OK <i>Note: Display the first location</i>
AT+WCOS=1 <i>Note: Phonebook extended</i>	OK
AT+CPBN=2 <i>Note: Read the next location</i>	+CPBN: 5,"+33147658987",145,"Frank",0 OK <i>Note: Display the second location, extended entry</i>
AT+CPBN=2 <i>Note: Read the next location</i>	+CPBN: 6,"+331290302",145,"Marc",0 OK <i>Note: Display the third location, extended entry</i>
AT+WCOS=0 <i>Note: Phonebook not extended</i>	OK

AT Commands Interface Guide for 6.57 Release

Command	Possible responses
AT+CPBN=3 <i>Note: Read the previous location</i>	+CPBN: 5,"+33147658987",145,"Frank" OK <i>Note: Display the second location</i>
AT+CPBN=1 <i>Note: Read the last location</i>	+CPBN: 6,"+331290302",145,"Marc" OK <i>Note: Display the last location</i>
AT+CPBN=2 <i>Note: Read the next location</i>	+CPBN: 15,"+331290101",145,"Eric" OK <i>Note: Display the first location</i>

Using mode 4 and 5 with +CPBF command and CPBW:

Command	Possible responses
AT+CPBF="Er" <i>Note: Find "Er" in phonebook</i>	+CPBF: 15,"+331290101",145,"Eric" OK <i>Note: Display the location</i>
AT+CPBN=2 <i>Note: Read the next location</i>	+CPBN: 5,"+33147658987",145,"Frank" OK <i>Note: Display the following location</i>
AT+CPBF="Er" <i>Note: Find "Er" in phonebook</i>	+CPBF: 15,"+331290101",145,"Eric" OK <i>Note: Display the location</i>
AT+CPBN=4 <i>Note: Get the last location read</i>	+CPBN: 15,"+331290101",145,"Eric" OK <i>Note: Display the last location read</i>
AT+CPBW=,"0146290800",129,"WM" <i>Note: Write an item at the first location available</i>	OK <i>Note: No information about this location</i>
AT+CPBN=4 <i>Note: Get the last location read</i>	+CPBN: 15,"+331290101",145,"Eric" OK <i>Note: Display the last location read</i>
AT+CPBN=5 <i>Note: Display the last item written with its location</i>	+CPBN: 38,"0146290800",129,"WM" OK <i>Note: Display the last item written with its location</i>
AT+CPBN=4 <i>Note: Get the last item read</i>	+CPBN: 38,"0146290800",129,"WM" OK <i>Note: Now the last item read is the last written item too</i>

AT Commands Interface Guide for 6.57 Release

Command	Possible responses
AT+CPBF="800041FFFF" <i>Note: Find "800041" in phonebook</i>	+CPBF: 15,"+3312345",145,"8000414339FFFF" OK <i>Note: Display this location</i>
AT+CPBN=4 <i>Note: Get the last location read</i>	+CPBN: 15,"+3312345",145,"8000414339FFFF" OK <i>Note: Display the last location read</i>

Please note that the AT+CPBN=5 command is useful after an AT+CPBW command used without a location.

8.7.3 Defined values

- <mode>
- 0 First item
 - 1 Last item
 - 2 Next valid item in alphabetical order
 - 3 Previous valid item in alphabetical order
 - 4 Last item read (usable only if a read operation has been performed on the current phonebook since the end of initialization)
 - 5 Last item written (usable only if a write operation has been performed on the current phonebook since the end of initialization)
- <loc> location number
- <num> phone number
- <type> TON/NPI (Type of address octet in integer format)
- <contact> contact structure

AT Commands Interface Guide for 6.57 Release

8.8 Subscriber number +CNUM

8.8.1 Description

This command returns the subscriber MSISDN(s).

If the subscriber has several MSISDNs for various services, each MSISDN is returned in a separate line.

8.8.2 Syntax

Command syntax: AT+CNUM

Response syntax: +CNUM: <alpha1>, <number1>, <type1>

<CR><LF> +CNUM: <alpha2>, <number2>, <type2>

Command	Possible responses
AT+CNUM	+CNUM: "Phone", "0612345678",129 +CNUM: "Fax", "0687654321",129 <i>Note: Get MSISDN(s)</i> +CNUM: "80001002FFFF", "+0183773", 145 (UCS2 format) OK <i>Note: MSISDNs</i>
AT+CNUM=?	OK

8.8.3 Defined values

- <alphax> optional alphanumeric string associated with <numberx>
- <numberx> string type phone number with format as specified by <typex>
- <typex> type of address byte in integer format

AT Commands Interface Guide for 6.57 Release

8.9 Avoid phonebook init +WAIP

8.9.1 Description

This specific command allows the initialization of all phonebooks to be inhibited during subsequent boots.

8.9.2 Syntax

Command syntax: AT+WAIP=<mode>

Command	Possible responses
AT+WAIP? <i>Note: Current values ?</i>	+WAIP:0 OK <i>Note: Default value (init phonebooks)</i>
AT+WAIP=? <i>Note: Possible values ?</i>	+WAIP: (0,1) OK <i>Note: Disable / enable</i>
AT+WAIP=1 <i>Note: Inhibit initialization of phonebooks (next boot)</i>	OK <i>Note: no answer</i>
AT&W <i>Note: Save modifications in EEPROM</i>	

Caution: The given value should be stored in EEPROM. Therefore, the AT&W command must be used to save the new <mode> value.

Notes:

- No phonebook commands are allowed if +WAIP=1 (after boot).
- If a phonebook command is entered, a "+CME ERROR: 3" is returned.

8.9.3 Defined values

<mode>

- 0: Normal initialization (with phonebooks)
- 1: No phonebook initialization

AT Commands Interface Guide for 6.57 Release

8.10 Delete Calls Phonebook +WDCP

8.10.1 Description

This specific command allows to delete the calls listed in some phonebooks.

8.10.2 Syntax

Command syntax: AT+WDCP=<calls phonebook>

Command	Possible responses
AT+WDCP?	OK
AT+WDCP=? <i>Note: Possible values ?</i>	+WDCP: ("LD","MC","RC") OK <i>Note: Identifiers of the phonebooks supporting a list of calls</i>
AT+WDCP="LD" <i>Note: Delete all the content of Last Dialing phonebook.</i>	OK <i>Note: Last Dialing phonebook is now empty.</i>

8.10.3 Defined values

<calls phonebook>

"LD": SIM (ME extended) Last dialing phonebook

"MC": ME missed calls list phonebook

"RC": ME received calls list phonebook

AT Commands Interface Guide for 6.57 Release

8.11 Set Voice Mail Number +CSVM

8.11.1 Description

This commands allows to set/get and enable/disable the voice mail number in memory.

8.11.2 Syntax

Command syntax: AT+CSVM=<mode>[,<number>[,<type>]]

Command	Possible responses
AT+CSVM? <i>Note: Get mail number</i>	+CSVM: 1,"660",129 OK <i>Note: Voice mail number "660" is activated</i>
AT+CSVM=? <i>Note: Possible values ?</i>	+CSVM: (0-1),(129,145) OK <i>Note: activation/deactivation and format 129 & 145 are supported</i>
AT+CSVM=0,"888",129 <i>Note: Disable Voice Mail number and change value to "888".</i>	OK

8.11.3 Defined values

<mode>

- 0: Disable the voice mail number
- 1: Enable the voice mail number

<number>

Phone number in ASCII format.

<type>

TON/NPI (Type of address byte in integer format).

Note: Value is 145 if the dialing string (<number> response value) includes the international access code character '+', else. value is 129 (ex: a <type> value of 17 will be written as 145).

AT Commands Interface Guide for 6.57 Release

8.12 Contact Selector +WCOS

8.12.1 Description

This command allows to enable/disable the displaying the extended contact.

8.12.2 Syntax

Command syntax: AT+WCOS=<mode>

Command	Possible responses
AT+WCOS? <i>Note: Test command</i>	+WCOS: 1 OK <i>Note: Extended contact selected</i>
AT+WCOS=? <i>Note: Possible values ?</i>	+WCOS: (0-2) OK <i>Note: Possible responses</i>
AT+WCOS=0 <i>Note: Contact not selected</i>	OK
AT+WCOS=3	+CME ERROR: 3 <i>Note: Mode not allowed</i>

8.12.3 Defined values

<mode>

- 0 Select the SIM contacts
- 1 Select the extended contacts for phonebook entries
- 2 Internal use only. Customer application should not use this value.

AT Commands Interface Guide for 6.57 Release

8.13 Create and delete a phonebook group +WPGW

8.13.1 Description

This command creates or deletes a phonebook group.

8.13.2 Syntax

Command syntax: AT+WPGW=<index>[,<name>]

Command	Possible responses
AT+WPGW=? <i>Note: Test command</i>	+WPGW: (1-10),30 OK <i>Note: 10 possible groups, group name can be 30 characters max</i>
AT+WPGW=1,"group 1" <i>Note: Create group #1</i>	OK <i>Note: group 1 created</i>
AT+WPGW=1,"phb group1" <i>Note: Rename group #1</i>	OK <i>Note: group 1 created</i>
AT+WPGW=1 <i>Note: Erase group #1</i>	OK <i>Note: group 1 erased</i>

8.13.3 Defined values

<index> Index of the new group

<name> Name of the group. It can be up to 30 ASCII characters or 13 UCS2 characters long.

AT Commands Interface Guide for 6.57 Release

8.14 Read a phonebook group +WPGR

8.14.1 Description

This command reads the phonebook group entries, the phonebook group name or the number of used records in a group.

8.14.2 Syntax

Command syntax: AT+WPGR=<mode>,<index>

Command	Possible responses
AT+WPGR=? <i>Note: Test command</i>	+ WPGR: (1-4),(1-10) OK <i>Note: 10 possible groups</i>
AT+WPGR=1,1 <i>Note: Read the name of phonebook group 1</i>	+WPGR: 1,"group 1" OK
AT+WPGR=2 <i>Note: Read the name of all phonebook groups</i>	+WPGR: 1,"group 1" +WPGR: 2,"group 2" OK
AT+WCOS=0 <i>Note: phonebook not extended</i>	OK
AT+WPGR=3,1 <i>Note: Lists all entries of phonebook group 1</i>	+WPGR: 1,"+33123456789",145,"John" +WPGR: 2,"+33567891234",145,"Elvis" +WPGR: 31,"+331290909",145,"Fred" +WPGR: 32,"0123456789",129,"Test" OK <i>Note: SIM entries: index 1 and 2; Flash entries: index 31 and 32 (The SIM supports 30 entries in this example)</i>
AT+WCOS=1 <i>Note: phonebook extended</i>	OK

AT Commands Interface Guide for 6.57 Release

Command	Possible responses
AT+WPGR=3,1 <i>Note: Lists all entries of phonebook group 1</i>	+WPGR: 1, "+33123456789", 145, "John", 1 +WPGR: 2, "+33567891234", 145, "Elvis", 1 +WPGR: 31, "+331290909", 145, "Fred", "0141284549", 129, "0600003210", 129, "0141280000", 129, "019876543210", 129, "fred@mail_address.com", "Becker Street London", 1 +WPGR: 32, "0123456789", 129, "Test", "0141284549", 129, "0600003210", 129, "0141280000", 129, "6549873210", 129, "test@mail_address.com", "", 1 OK <i>Note: SIM entries: index 1 and 2; Flash entries: index 31 and 32 (The SIM supports 30 entries in this example)</i>
AT+WPGR=4,1 <i>Note: Read the number of used records in the phonebook group 1</i>	+WPGR: 4/100 OK

Note: The entries list displayed with AT+WPGR=3,1 contains records from both ME and SIM phonebook (MT phonebook).

8.14.3 Defined values

- <mode> 1 read the name of one phonebook group
 2 read the name of all phonebook groups
 3 list all entries of one phonebook group
 4 read the number of used records in a phonebook group
- <index> Index of the group (for mode = 3 or mode = 4)

AT Commands Interface Guide for 6.57 Release

8.15 Settings of a group +WPGS

8.15.1 Description

This command sets parameters of a group.

8.15.2 Syntax

Command syntax: AT+WPGS=<mode>,<index>[,<restrict call>]

Command	Possible responses
AT+WPGS=1,1,1 <i>Note: set restrict call to "All Accepted"</i>	OK
AT+WPGS=0,1 <i>Note: Command reads group 1 settings</i>	+WPGS:1 OK <i>Note: Group 1: all accepted</i>
AT+WPGS=? <i>Note: Test command</i>	+WPGS: (0-1),(1-10),(0-1) OK

8.15.3 Defined values

- <mode>** 0 Read group settings
 1 Write group settings
- <index>** Index of a group
- <restrict call>** Parameter is optional if **<mode>**=0. It is mandatory if **<mode>**=1.
0: All Refused - incoming call is forwarded to the voice mailbox.
1: All Accepted - incoming call is received (RING message is displayed)

9 Short Messages commands

9.1 Parameters definition

<da>	Destination Address, coded like GSM 03.40 TP-DA
<dcs>	Data Coding Scheme, coded like in document [5].
<dt>	Discharge Time in string format: "yy/MM/dd, hh:mm:ss±zz"(Year [00-99], Month [01-12], Day [01-31], Hour, Minute, Second and Time Zone [quarters of an hour]). Years range is [2000-2099]
<fo>	First Byte, coded like SMS-SUBMIT first byte in document [4], default value is 17 for SMS-SUBMIT
<index>	Place of storage in memory.
<length>	Text mode (+CMGF=1): number of characters PDU mode (+CMGF=0): length of the TP data unit in bytes
<mem1>	Memory used to list, read and delete messages (+CMGL, +CMGR and +CMGD).
<mem2>	Memory used to write and send messages (+CMGW, +CMSS).
<mem3>	Preferred memory to which received SMS are to be stored
<mid>	CBM Message Identifier.
<mr>	Message Reference.
<oa>	Originator Address.
<pid>	Protocol Identifier.
<pdu>	For SMS : GSM 04.11 SC address followed by GSM 03.40 TPDU in hexadecimal format, coded as specified in doc [4] For CBS : GSM 03.41 TPDU in hexadecimal format
<ra>	Recipient Address.
<sca>	Service Center Address
<scts>	Service Center Time Stamp in string format: "yy/MM/dd, hh:mm:ss±zz" (Year/Month/Day, Hour:Min:Seconds±TimeZone)
<sn>	CBM Serial Number
<st>	Status of a SMS-STATUS-REPORT
<stat>	Status of message in memory.

AT Commands Interface Guide for 6.57 Release

<toa>	Type-of-Address of <oa>.
<tora>	Type-of-Address of <ra>.
<tosca>	Type-of-Address of <sca>.
<total1>	Number of message locations in <mem1>.
<total2>	Number of messages locations in <mem2>.
<total3>	Number of messages locations in <mem3>.
<used1>	Total number of messages locations in <mem1>.
<used2>	Total number of messages locations in <mem2>.
<used3>	Total number of messages locations in <mem3>.
<vp>	Validity Period of the short message, default value is 167

9.2 Select message service +CSMS

9.2.1 Description

The supported services are originated (SMS-MO) and terminated short message (SMS-MT) + Cell Broadcast Message (SMS-CB) services.

9.2.2 Syntax

Command syntax: AT+CSMS=<service>

Command	Possible responses
AT+CSMS=0 <i>Note: SMS AT command Phase 2 version 4.7.0</i>	+CSMS: 1,1,1 OK <i>Note: SMS-MO, SMS-MT and SMS-CB supported</i>
AT+CSMS=1 <i>Note: SMS AT command Phase 2 +</i>	+CSMS: 1,1,1 <i>Note: SMS-MO, SMS-MT and SMS-CB supported</i>
AT+CSMS? <i>Note: Current values ?</i>	+CSMS: 0,1,1,1 OK <i>Note: GSM 03.40 and 03.41 (SMS AT command Phase 2 version 4.7.0)</i>
AT+CSMS=? <i>Note: Possible services</i>	+CSMS: (0,1) OK

AT Commands Interface Guide for 6.57 Release

9.2.3 Defined values

<service>

- 0: SMS AT commands are compatible with GSM 07.05 Phase 2 version 4.7.0.
- 1: SMS AT commands are compatible with GSM 07.05 Phase 2 + version.

9.3 New Message Acknowledgement +CNMA

9.3.1 Description

This command allows reception of a new message routed directly to the TE to be acknowledged.

- In TEXT mode, only positive acknowledgement to the network (RP-ACK) is possible.
- In PDU mode, either positive (RP-ACK) or negative (RP-ERROR) acknowledgement to the network is possible.

Acknowledge with +CNMA is possible only if the +CSMS parameter is set to 1 (+CSMS=1) when a +CMT or +CDS indication is shown (see +CNMI command).

If no acknowledgement is given within the network timeout, an RP-ERROR is sent to the network, the <mt> and <ds> parameters of the +CNMI command are then reset to zero (do not show new message indication).

9.3.2 Syntax

Command syntax in text mode: AT+CNMA

Command syntax in PDU mode: AT+CNMA [= <n> [, <length> [<CR>
PDU is entered <ctrl-Z / ESC>]]]

Note: PDU is entered using <ackpdu> format instead of <pdu> format (e.g.. SMSC address field is not present).

AT Commands Interface Guide for 6.57 Release

Example of acknowledgement of a new message in TEXT mode

Command	Possible responses
AT+CSMS=1 <i>Note: SMS AT commands compatible with GSM 07.05 Phase 2 + version</i>	OK
AT+CMGF=1 <i>Note: Set TEXT mode</i>	OK <i>Note: TEXT mode valid</i>
AT+CNMI=2,2,0,0,0 <i>Note: <mt>=2</i>	OK
	+CMT: "123456","98/10/01,12:30 00+00", 129, 4, 32, 240, "15379", 129, 5<CR><LF> Received message <i>Note: message received</i>
AT+CNMA <i>Note: acknowledge the message received</i>	OK <i>Note: send positive acknowledgement to the network</i>
AT+CNMA <i>Note: try to acknowledge again</i>	+CMS ERROR: 340 <i>Note: no +CNMA acknowledgment expected</i>

AT Commands Interface Guide for 6.57 Release

Example of acknowledgement of a new message in PDU mode:

Command	Possible responses
AT+CSMS=1 <i>Note: SMS AT commands compatible with GSM 07.05 Phase 2 + version</i>	OK
AT+CMGF=0 <i>Note: Set PDU mode</i>	OK <i>Note: PDU mode valid</i>
AT+CNMI=2,2,0,0,0 <i>Note: <mt>=2</i>	OK
	+CMT: ,29 07913366003000F1240B913366920547 F30000003003419404800B506215D42E CFE7E17319 <i>Note: message received</i>
AT+CNMA=2,2<CR> >00D3 <Ctrl-Z> <i>Note: Negative ACK to the SMS. Reason is: memory capacity exceeded</i>	OK
AT+CNMA=2,2<CR> >00D0 <Ctrl-Z> <i>Note: Negative ACK to the SMS. Reason is: SIM memory storage is full</i>	OK
AT+CNMA=2,2<CR> >00D2 <Ctrl-Z> <i>Note: Negative ACK to the SMS. Reason is: Error in MS</i>	OK
AT+CNMA=2,2<CR> >00FF <Ctrl-Z> <i>Note: Negative ACK to the SMS. Unspecified error</i>	OK

AT Commands Interface Guide for 6.57 Release

9.3.3 Defined values

<n>: Type of acknowledgement in PDU mode

0: send RP-ACK without PDU (same as TEXT mode)

1: send RP-ACK with optional PDU message

2: send RP-ERROR with optional PDU message

<length>: Length of the PDU message

Please refer to GSM 03.40 Recommendation for other PDU negative acknowledgement codes.

9.4 Preferred Message Storage +CPMS

9.4.1 Description

This command allows the message storage area to be selected (for reading, writing, etc).

9.4.2 Syntax

Command syntax: AT+CPMS=<mem1>,[<mem2>],[<mem3>]]

Command	Possible responses
AT+CPMS=? <i>Note: Possible message storages</i>	+CPMS: ("SM","ME","BM","SR"), ("SM","ME"), ("SM","ME") OK <i>Note: Read, list, delete: SMS or SMS Status Report Write, send: SMS</i>
AT+CPMS? <i>Note: Read</i>	+CPMS: "SM",3,10,"SM",3,10,"SM",3,10 OK <i>Note: Read, write...SMS from/to SIM. 3 SMS are stored in SIM. 10 is the total memory available in SIM</i>
AT+CPMS="SM","ME","SM" <i>Note: Select SM for reading, ME for writing and SM for storing</i>	+CPMS: 3,10,3,99,3,10 OK
AT+CPMS? <i>Note: Read</i>	+CPMS: "SM",3,10,"ME",3,99,"SM",3,10 OK <i>Note: Read, store...SMS from/to flash, write SMS to flash. 3 SMS are stored in flash. 99 is the total memory available in flash</i>

AT Commands Interface Guide for 6.57 Release

Command	Possible responses
	+CMTI: "SM",4 <i>Note: Receive a SMS stored in SIM at location 4</i>
AT+CPMS="ME","ME","ME" <i>Note: Select ME for reading, ME for writing and ME for storing</i>	+CPMS: 3,99,3,99,3,99 OK
AT+CPMS? <i>Note: Read</i>	+CPMS: "ME",3,99,"ME",3,99,"ME",3,99 OK <i>Note: Read, write, store SMS from/to flash. 3 SMS are stored in flash. 99 is the total memory available in flash</i>
	+CMTI: "ME",4 <i>Note: Receive a SMS stored in flash at location 4</i>
AT+CPMS="AM" <i>Note: Select wrong message storage</i>	+CMS ERROR: 302
AT+CPMS="SM" <i>Note: Select SM for reading, writing and storing memory are not changed</i>	+CPMS: 4,10,4,99,4,99 OK
AT+CPMS? <i>Note: Read</i>	+CPMS: "SM",4,10,"ME",4,99,"ME",4,99 OK <i>Note: Read SMS from SIM; write, store SMS from/to flash</i>

AT Commands Interface Guide for 6.57 Release

9.4.3 Defined values

<mem1> Memory used to list, read and delete messages. It can be:

- **SM**: SMS message storage in SIM (default)
- **ME**: SMS message storage in Flash.
- **SR**: Status Report message storage (in SIM if the EF-SMR file exists, otherwise in the ME non volatile memory)
- **BM**: CBM message storage (in volatile memory).

Note: "SR" ME non volatile memory is cleared when another SIM card is inserted. It is kept, even after a reset, while the same SIM card is used.

<mem2> Memory used to write and send messages

- **SM**: SMS message storage in SIM (default).
- **ME**: SMS message storage in Flash.

<mem3> Memory to which received SMS are preferred to be stored

- **SM**: SMS message storage in SIM (default).
- **ME**: SMS message storage in Flash.

If the command is correct, the following message indication is sent:

+CPMS: <used1>,<total1>,<used2>,<total2>,<used3>,<total3>

When <mem1> is selected, all following +CMGL, +CMGR and +CMGD commands are related to the type of SMS stored in this memory.

The maximum number of SMS in flash is 99.

When the Wireless CPU is switched on, <mem1>, <mem2> and <mem3> are initialized to **SM**.

AT Commands Interface Guide for 6.57 Release

9.5 Preferred Message Format +CMGF

9.5.1 Description

The message formats supported are *text mode* and *PDU mode*.

In PDU mode, a complete SMS Message including all header information is given as a binary string (in hexadecimal format). Therefore, only the following set of characters is allowed: {0, 1, 2, 3, 4, 5, 6, 7, 8, 9, A, B, C, D, E, F}. Each pair or character is converted to a byte (e.g.: '41' is converted to the ASCII character 'A', whose ASCII code is 0x41 or 65).

In Text mode, all commands and responses are in ASCII characters.

The selected format is stored in EEPROM by the +CSAS command.

9.5.2 Syntax

Command syntax: AT+CMGF=<mode>

Command	Possible responses
AT+CMGF? <i>Note: Current message format</i>	+CMGF: 1 OK <i>Note: Text mode</i>
AT+CMGF=? <i>Note: Possible message format</i>	+CMGF: (0,1) OK <i>Note: Text or PDU modes are available</i>

Example, sending an SMS Message in PDU mode

Command	Possible responses
AT+CMGF=0 <i>Note: Set PDU mode</i>	OK <i>Note: PDU mode valid</i>
AT+CMGS=14<CR> 0001030691214365000004C9E9340B <i>Note: Send complete MSG in PDU mode, no SC address</i>	+CMGS: 4 OK <i>Note: MSG correctly sent, <mr> is returned</i>

AT Commands Interface Guide for 6.57 Release

9.5.3 Defined values

<mode> PDU or text mode

0	PDU mode
1	Text mode

The <pdu> message is composed of the SC address (00 means no SC address given, use default SC address read with +CSCA command) and the TPDU message.

In this example, the length in **bytes** of the TPDU buffer is 14, coded as GSM 03.40

In this case the TPDU is: 0x01 0x03 0x06 0x91 0x21 0x43 0x65 0x00 0x00 0x04 0xC9 0xE9 0x34 0x0B, which means regarding GSM 03.40:

<fo> 0x01 (SMS-SUBMIT, no validity period)
 <mr> (TP-MR) 0x03 (Message Reference)
 <da> (TP-DA) 0x06 0x91 0x21 0x43 0x65 (destination address +123456)
 <pid> (TP-PID) 0x00 (Protocol Identifier)
 <dcs> (TP-DCS) 0x00 (Data Coding Scheme: 7 bits alphabet)
 <length> (TP-UDL) 0x04 (User Data Length, 4 characters of text)
 TP-UD 0xC9 0xE9 0x34 0x0B (User Data: ISSY)

TPDU in hexadecimal format must be converted into two ASCII characters. For example, the byte 0x2A is presented to the ME as two characters '2' (ASCII 50) and 'A' (ASCII 65).

AT Commands Interface Guide for 6.57 Release

9.6 Save Settings +CSAS

9.6.1 Description

All settings specified by the +CSCA and +CSMP commands are stored in EEPROM if the SIM card is a Phase 1 card or in the SIM card if it is a Phase 2 SIM card.

9.6.2 Syntax

Command syntax: AT+CSAS

Command	Possible responses
AT+CSAS <i>Note: Store +CSCA and +CSMP parameters</i>	OK <i>Note: Parameters saved</i>

9.6.3 Defined values

No parameter

9.7 Restore settings +CRES

9.7.1 Description

All settings specified in the +CSCA and +CSMP commands are restored from EEPROM if the SIM card is Phase 1 or from the SIM card if it is a Phase 2 one.

9.7.2 Syntax

Command syntax: AT+CRES

Command	Possible responses
AT+CRES <i>Note: Restore +CSCA and +CSMP parameters</i>	OK <i>Note: Parameters restored</i>

9.7.3 Defined values

No parameter

AT Commands Interface Guide for 6.57 Release

9.8 Show text mode parameters +CSDH

9.8.1 Description

This command gives additional information on text mode result codes. These information can be found in description of the +CMT, +CMGR, +CMGL commands and responses.

9.8.2 Syntax

Command syntax: AT+CSDH=<n>

Command	Possible responses
AT+CSDH=0 <i>Note: Set value to "do not show"</i>	OK
AT+CSDH? <i>Note: Current value</i>	+CSDH: 0 OK <i>Note: Do not show header values</i>

9.8.3 Defined values:

<n>: show indicator

- 0: do not show header values
- 1: show the values in result codes

AT Commands Interface Guide for 6.57 Release

9.9 New message indication +CNMI

9.9.1 Description

This command selects the procedure for message reception from the network.

9.9.2 Syntax:

Command syntax: AT+CNMI=<mode>,<mt>,<bm>,<ds>,<bfr>

Command	Possible responses
AT+CNMI=2,1,0,0,0 <i>Note: <mt>=1</i>	OK
	AT+CMTI: "SM",1 <i>Note: message received</i>
AT+CNMI=2,2,0,0,0 <i>Note: <mt>=2</i>	OK
	+CMT: "123456","98/10/01,12:30 00+00",129,4,32,240, "15379",129,5<CR><LF> <i>Note: message received</i>
AT+CNMI=2,0,0,1,0 <i>Note: <ds>=1</i>	OK
AT+CMGS="+33146290800"<CR> Happy Birthday !<ctrl-Z> <i>Note: Send a message in text mode</i>	+CMGS: 7 OK <i>Note: Successful transmission</i>
	+CDS: 2, 116, "+33146290800", 145, "98/10/01,12:30:07+04", "98/10/01 12:30:08+04", 0 <i>Note: message was correctly delivered</i>

AT Commands Interface Guide for 6.57 Release

9.9.3 Defined values

<mode>: controls the processing of unsolicited result codes

0: Buffer unsolicited result codes in the TA. If TA result code buffer is full, indications can be buffered in some other place or the oldest indications may be discarded and replaced with the new received indications

1: Discard indication and reject new received message unsolicited result codes when TA-TE link is reserved. Otherwise forward them directly to the TE

2: Buffer unsolicited result codes in the TA when TA-TE link is reserved and flush them to the TE after reservation. Otherwise forward them directly to the TE

3: Forward unsolicited result codes directly to the TE. TA-TE link specific in-band used to embed result codes and data when TA is in on-line data mode

Important note: only <mode>=2 is supported.

Any other value for <mode> (0,1 or 3) is accepted (return code will be *OK*), but the processing of unsolicited result codes will be the same as with <mode>=2.

<mt>: sets the result code indication routing for SMS-DELIVER indications. Default is 1.

0: No SMS-DELIVER indications are routed.

1: SMS-DELIVERS are routed using unsolicited code: +CMTI: "SM",<index>

2: SMS-DELIVERS (except class 2 messages) are routed using unsolicited code:

if PDU mode:

+CMT: [<alpha>], <length> <CR> <LF> <pdu>

if text mode:

+CMT: <oa>,<alpha>], <scts> [,<tooa>, <fo>, <pid>, <dcs>, <sca>, <tosca>, <length>] <CR><LF><data>

3: Class 3 SMS-DELIVERS are routed directly using code in <mt>=2 ; Other classes messages result in indication <mt>=1

AT Commands Interface Guide for 6.57 Release

<bm>: defines the rules for storing the received CBMs (Cell Broadcast Message) types. They depend also on the coding scheme (text or PDU) and the setting of Select CBM Types (see +CSCB command). Default is 0.

- 0: No CBM indications are routed to the TE. The CBMs are stored.
- 1: The CBM is stored and an indication of the memory location is routed to the customer application using unsolicited result code: +CBMI: "BM", <index>
- 2: New CBMs are routed directly to the TE using unsolicited result code.

If PDU mode:

+CBM: <length><CR><LF><pdu> or

If text mode:

+CBM:<sn>,<mid>,<dc>,<page>,<pages> <CR><LF> <data>

- 3: Class 3 CBMs: as <bm>=2.
- Other classes CBMs: as <bm>=1.

<ds> for SMS-STATUS-REPORTs. Default is 0.

- 0: No SMS-STATUS-REPORTs are routed.
- 1: SMS-STATUS-REPORTs are routed using unsolicited code:

If PDU mode:

+CDS: <length> <CR> <LF> <pdu> (PDU mode) or

If text mode:

+CDS: <fo>,<mr> , [<ra>] , [<tora>], <scts>,<dt>,<st> (Text mode)

- 2: SMS-STATUS-REPORTs are stored and routed using the unsolicited result code: +CDSI: "SR",<index>

<bfr> Default is 0.

- 0: TA buffer of unsolicited result codes defined within this command is flushed to the TE when <mode> = 1 to 3 is entered (OK response shall be given before flushing the codes)
- 1: TA buffer of unsolicited result codes defined within this command is cleared when <mode> 1...3 is entered.

AT Commands Interface Guide for 6.57 Release

9.10 Read message +CMGR

9.10.1 Description

This command allows the application to read stored messages. The messages are read from the memory selected by +CPMS command.

9.10.2 Syntax

Command syntax: AT+CMGR=<index>

Response syntax for text mode:

- for **SMS-DELIVER** only
+CMGR:<stat>,<oa>,[<alpha>] <scts> [,<tooa>,<fo>, <pid>, <dcsc>, <sca>, <tosca>, <length>] <CR><LF> <data>
- for **SMS-SUBMIT** only
+CMGR: <stat>,<da>,[<alpha>] [,<toda>, <fo>, <pid>, <dcsc>, [<vp>], <sca>, <tosca>, <length>]<CR><LF> <data>
- for **SMS-STATUS-REPORT** only
+CMGR: <stat>,<fo>,<mr>,[<ra>],[<tora>],<scts>,<dt>,<st> ()

Response syntax for PDU mode:

+CMGR: <stat>, [<alpha>] ,<length> <CR><LF> <pdu>

A message read with status "REC UNREAD" will be updated in memory with the status "REC READ".

Note: The <stat> parameter for SMS Status Reports is always "READ".

AT Commands Interface Guide for 6.57 Release

Command	Possible responses
	AT+CMTI: "SM",1 <i>Note: New message received</i>
AT+CMGR=1 <i>Note: Read the message</i>	+CMGR: "REC UNREAD", "0146290800", "98/10/01,18:22:11+00", <CR><LF> ABCdefGHI OK
AT+CMGR=1 <i>Note: Read the message again</i>	+CMGR: "REC READ","0146290800", "98/10/01,18:22:11+00", <CR><LF> ABCdefGHI OK <i>Note: Message is read now</i>
AT+CMGR=2	OK <i>Note: location empty</i>
AT+CMGF=0 ;+CMGR=1 <i>Note: In PDU mode</i>	+CMGR: 2,,<length> <CR><LF><pdu> OK <i>Note: Message is stored but unsent, no <alpha>field</i>
AT+CMGF=1;+CPMS="SR";+CNMI=,,,2 <i>Note: Reset to text mode, set read memory to "SR", and allow storage of further SMS Status Report into "SR" memory</i>	OK
AT+CMSS=3 <i>Note: Send an SMS previously stored</i>	+CMSS: 160 OK
	+CDSI: "SR",1 <i>Note: New SMS Status Report stored in "SR" memory at index 1</i>
AT+CMGR=1 <i>Note: Read the SMS Status Report</i>	+CMGR: "REC UNREAD",6,160, "+33612345678", 129, "01/05/31,15:15:09+00", "01/05/31,15:15:09+00", 0 OK

9.10.3 Defined values

See paragraph 9.1.

AT Commands Interface Guide for 6.57 Release

9.11 List message +CMGL

9.11.1 Description

This command allows the application to read stored messages, by indicating the type of the message to read. The messages are read from the memory selected by the +CPMS command.

9.11.2 Syntax

Command syntax: AT+CMGL=<stat>

Response syntax for text mode:

+CMGL: <index>,<stat>,<da/oa>,[<alpha>], [<scts>,<tooa/toda>,<length>]
<CR><LF><data> (for **SMS-DELIVER** and **SMS-SUBMIT**, may be followed by other
<CR><LF>+CMGL:<index>...)

+CMGL: <index>,<stat>,<fo>,<mr>,[<ra>],[<tora>],<scts>,<dt>,<st> (for **SMS-STATUS-REPORT** only, may be followed by other <CR><LF>+CMGL:<index>...)

Response syntax for PDU mode:

+CMGL: <index>,<stat>,[<alpha>], <length> <CR><LF> <pdu> (for **SMS-DELIVER**,
SMS-SUBMIT and **SMS-STATUS-REPORT**, may be followed by other
<CR><LF>+CMGL:<index>...)

AT Commands Interface Guide for 6.57 Release

Command	Possible responses
AT+CMGL="REC UNREAD" <i>Note: List unread messages in text mode</i>	+CMGL: 1,"REC UNREAD","0146290800",, <CR><LF> I will be late +CMGL: 3,"REC UNREAD", "46290800",, <CR><LF>See you tonight ! OK <i>Note: 2 messages are unread, these messages will then have their status changed to "REC READ"</i>
AT+CMGL="REC READ" <i>Note: List read messages in text mode</i>	+CMGL: 2,"REC READ","0146290800",, <CR><LF> Keep cool OK
AT+CMGL="STO SENT" <i>Note: List stored and sent messages in text mode</i>	OK <i>Note: No message found</i>
AT+CMGL=1 <i>Note: List read messages in PDU mode</i>	+CMGL: 1,1,,26 <CR><LF> 07913366003000F3040B913366920547F40013 001190412530400741AA8E5A9C5201 OK

9.11.3 Defined values

<stat> possible values (status of messages in memory):

Text mode possible values	PDU mode possible values	Status of messages in memory
"REC UNREAD"	0	received unread messages
"REC READ"	1	received read messages
"STO UNSENT"	2	stored unsent messages
"STO SENT"	3	stored sent messages
"ALL"	4	all messages

Note: For SMS Status Reports, only "ALL" / 4 and "READ" / 1 values of the <stat> parameter will list messages ; other values will only return OK.

AT Commands Interface Guide for 6.57 Release

9.12 Send message +CMGS

9.12.1 Description

The <address> field is the address of the terminal to which the message is sent. To send the message, simply type, <ctrl-Z> character (ASCII 26). The text can contain all existing characters except <ctrl-Z> and <ESC> (ASCII 27).

This command can be aborted using the <ESC> character when entering text.

In PDU mode, only hexadecimal characters are used ('0'...'9','A'...'F').

9.12.2 Syntax

Command syntax in text mode:

AT+CMGS=<da> [,<tda>] <CR>

text is entered <ctrl-Z / ESC >

Command syntax in PDU mode:

AT+CMGS=<length> <CR>

PDU is entered <ctrl-Z / ESC >

Command	Possible responses
AT+CMGS="+33146290800"<CR>	>
----- Please call me soon, Fred. <ctrl-Z> <i>Note: Send a message in text mode</i>	
-----	+CMGS: <mr> OK <i>Note: Successful transmission</i>
AT+CMGS=<length><CR> <i>Note: Send a message in PDU mode (1/3)</i>	>
----- <pdu> <i>Note: Enter message in PDU mode (2/3)</i>	
----- <ctrl-Z> <i>Note: End the message (3/3)</i>	+CMGS: <mr> OK <i>Note: Successful transmission</i>

AT Commands Interface Guide for 6.57 Release

The message reference, <mr>, which is returned to the application is allocated by the product. This number begins with 0 and is incremented by one for each outgoing message (successful and failure cases); it is cyclic on one byte (0 follows 255).

Note: This number is not a storage number – outgoing messages are not stored.

9.12.3 Defined values

See paragraph 9.1.

9.13 Write Message to Memory +CMGW

9.13.1 Description

This command stores a message in memory (either SMS-SUBMIT or SMS-DELIVERS). The memory location <index> is returned (no choice possible as with phonebooks +CPBW).

Text or PDU is entered as described for the Send Message +CMGS command.

9.13.2 Syntax

Command syntax in text mode: (<index> is returned in both cases)

```
AT+CMGW=<oa/da> [,<toa/toda> [,<stat> ] ] <CR>  
enter text <ctrl-Z / ESC>
```

Command syntax in PDU mode:

```
AT+CMGW=<length> [,<stat>] <CR>  
give PDU <ctrl-Z / ESC>
```


AT Commands Interface Guide for 6.57 Release

Response syntax:

+CMGW: <index> or +CMS ERROR: <err> if writing fails

Command	Possible responses
AT+CMGW="+33146290800"<CR> Hello how are you ?<ctrl-Z> <i>Note: Write a message in text mode</i>	> +CMGW: 4 OK <i>Note: Message stored in index 4</i>
AT+ CMGW=<length><CR> <i>Note: Write a message in PDU mode (1/3)</i> <pdu> <i>Note: Enter message in PDU mode (2/3)</i> <ctrl-Z> <i>Note: End the message (3/3)</i>	> +CMGW: <index> OK <i>Note: Message stored in <index></i>

9.13.3 Defined values

<oa/da> Originating or Destination Address Value in string format.

<toa/toda> Type of Originating / Destination Address.

<stat> Integer type in PDU mode (*default 2 for +CMGW*), or string type in text mode (*default "STO UNSENT" for +CMGW*). Indicates the status of message in memory. If <stat> is omitted, the stored message is considered as a message to send.

0	"REC UNREAD"
1	"REC READ"
2	"STO UNSENT"
3	"STO SENT"

<length> Length of the actual data unit in bytes

AT Commands Interface Guide for 6.57 Release

9.14 Send Message From Storage +CMSS

9.14.1 Description

This command sends a message stored at location value <index>.

9.14.2 Syntax

Command syntax: AT+CMSS=<index>[,<da> [,<toda>]]

Response syntax:

+CMSS: <mr> or +CMS ERROR: <err> if sending fails

If a new recipient address <da> is given, it will be used instead of the one stored with the message

Command	Possible responses
AT+CMGW=0660123456<CR> Today is my birthday	+CMGW: 5 OK <i>Note: Message stored with index 5</i>
AT+CMSS=5, 0680654321 <i>Note: Send the message 5 to a different destination number</i>	+CMSS:<mr> OK <i>Note: Successful transmission</i>

9.14.3 Defined values

Please refer to § 9.1 Parameters definition for description of the parameters <index>, <da>, <toda> and <mr>.

AT Commands Interface Guide for 6.57 Release

9.15 Set Text Mode Parameters +CSMP

9.15.1 Description

This command is used to select a value for <vp>, <pid>, and <dc>.

9.15.2 Syntax ;

Command syntax: AT+CSMP=<fo>, <vp>, <pid>,<dc>

Command	Possible responses
AT+CSMP? <i>Note: current values</i>	+CSMP: 0,0,0,0 OK <i>Note: No validity period</i> <i><dc> = PCCP437 alphabet (8 bits → 7 bits)</i>
AT+CSMP=17,23,64,244 <i>Note:<vp> = 23 (2 hours, relative format)</i> <i><dc> = GSM 8 bits alphabet</i> <i>Remind to enter <fo> value in decimal notation.</i>	OK <i>Note: Command correct</i>

9.15.3 Defined values

The <fo> byte comprises 6 different fields:

b7	b6	B5	b4	b3	b2	b1	b0
RP	UDHI	SRR	VPF		RD	MTI	

Note: <fo> must be entered in DECIMAL format. Hexadecimal format would lead to irrelevant result.

RP: Reply Path, not used in text mode.

UDHI: User Data Header Information, b6=1 if the beginning of the User Data field contains a Header in addition to the short message. This option is not supported in +CSMP command, but can be used in PDU mode (+CMGS).

SRR: Status Report Request, b5=1 if a status report is requested. This mode is supported.

AT Commands Interface Guide for 6.57 Release

VPF: Validity Period Format

b4=0 & b3=0 -> <vp> field is not present

b4=1 & b3=0 -> <vp> field is present in relative format

Others formats (absolute & enhanced) are not supported.

RD: Reject Duplicates, b2=1 to instruct the SC to reject an SMS-SUBMIT for an SM still held in the SC which has the same <mr> and the same <da> as the previously submitted SM from the same <oa>.

MTI: Message Type Indicator

b1=0 & b0=0 -> SMS-DELIVER (in the direction SC to MS)

b1=0 & b0=1 -> SMS-SUBMIT (in the direction MS to SC)

In text mode <vp> is only coded in "relative" format. The default value is 167 (24 hours). This means that one byte can describe different values:

VP value	Validity period value
0 to 143	(VP + 1) x 5 minutes (up to 12 hours)
144 to 167	12 hours + ((VP - 143) x 30 minutes)
168 to 196	(VP - 166) x 1 day
197 to 255	(VP - 192) x 1 week

<pid> is used to indicate the higher layer protocol being used or indicates inter-working with a certain type of telematic device. For example, 0x22 is for group 3 fax, 0x24 is for voice telephone, 0x25 is for ERMES (European Radio Messaging System).

<dcs> is used to determine the way the information is encoded. Compressed text is not supported. Only GSM default alphabet, 8 bit data and UCS2 alphabet are supported.

9.16 Delete message +CMGD

9.16.1 Description

This command is used to delete one or several messages from preferred message storage ("BM" SMS-CB 'RAM storage', "SM" SMSPP storage 'SIM storage' or "SR" SMS Status-Report storage).

Refer also to Preferred Message Storage +CPMS command.

AT Commands Interface Guide for 6.57 Release

9.16.2 Syntax

Command syntax: AT+CMGD=<Index> [,<DelFlag>]

Command	Possible responses
	+CMTI:"SM",3 <i>Note: New message received</i>
AT+CMGR=3 <i>Note: Read it</i>	+CMGR: "REC UNREAD","0146290800", "98/10/01,18:19:20+00" <CR><LF> Message received! <i>Note: Unread message received from 0146290800 on the 01/10/1998 at 18H19m 20s</i>
AT+CMGD=3 <i>Note: Delete it</i>	OK <i>Note: Message deleted</i>
AT+CMGD=1,0	OK <i>Note: The message from the preferred message storage at the location 1 is deleted</i>
AT+CMGD=1,1	OK <i>Note: All READ messages from the preferred message storage are deleted</i>
AT+CMGD=1,2	OK <i>Note: All READ messages and SENT mobile originated messages are deleted</i>
AT+CMGD=1,3	OK <i>Note: All READ, SENT and UNSENT messages are deleted</i>
AT+CMGD=1,4	OK <i>Note: All messages are deleted</i>

AT Commands Interface Guide for 6.57 Release

9.16.3 Defined values

<index> If <DelFlag> = 0

- (1-20) if the preferred message storage is "BM"
- SIM dependant integer values (in the range of SIM location number) if the preferred message storage is "SM" or "SR".

If <DelFlag> is > 0, <index> is ignored.

<DelFlag>

- | | |
|---|---|
| 0 | Delete message at location <index> (default value). |
| 1 | Delete All READ messages |
| 2 | Delete All READ and SENT messages |
| 3 | Delete All READ, SENT and UNSENT messages |
| 4 | Delete All messages. |

If <DelFlag> is omitted, default value is used.

Note: When the preferred message storage is "SR", as SMS status reports are assumed to have a "READ" status, if <DelFlag> is greater than 0, all SMS status reports will be deleted.

9.17 Service center address +CSCA

9.17.1 Description

This command is used to indicate to which service center the message must be sent.

The product has no default value for this address. If the application tries to send a message without having indicated the service center address, an error will be generated.

Therefore, the application must indicate the SC address when initializing the SMS. This address is then permanently valid. The application may change it if necessary.

AT Commands Interface Guide for 6.57 Release

9.17.2 Syntax

Command syntax: AT+CSCA=<sca>

Command	Possible responses
AT+CMGS= "+33146290800"<CR> Hello, how are you?<ctrl-Z> <i>Note: Send a message</i>	+CMS ERROR: 330 <i>Note: service center unknown</i>
AT+CSCA="0696741234" <i>Note: Service center initialization</i>	OK
AT+CMGS="+33146290800"<CR> Happy Birthday ! <ctrl-Z>	+CMGS: 1 OK <i>Note: Successful transmission</i>

9.17.3 Defined values

Please refer to § 9.1 Parameters definition for description of the parameter <sca>.

9.18 Select Cell Broadcast Message Types +CSCB

9.18.1 Description

This command selects which types of CBMs are to be received by the ME. It is allowed in both PDU and text modes.

9.18.2 Syntax:

Command syntax: AT+CSCB=<mode>, [<mids>, [<dcss>]]

Important note: Test read command (AT+CSCB ?) is not supported.

AT Commands Interface Guide for 6.57 Release

Command	Possible responses
AT+CSCB=0,"15-17,50,86","" <i>Note: Accept SMS-CB types, 15, 16, 17, 50 and 86 in any language</i>	OK <i>Note: CBMs can be received</i>
	+CBM: 10<CR><LF> 00112233445566778899 <i>Note: CBM length of a received Cell Broadcast message (SMS-CB), CBM bytes in PDU mode)</i>
AT+CSCB=1 <i>Note: Deactivate the reception of CBMs</i>	OK <i>Note: CBM reception is completely stopped</i>

9.18.3 Defined values

The <bm> parameter of +CNMI command controls the message indication.

The activation of CBM reception (<mode>=0) can select only specific Message Identifiers (list in <mids>) for specific Languages (list in <dcss>), but the deactivation stops any reception of CBMs (only AT+CSCB=1 is allowed)

Message Identifiers (<mids> parameter) indicates to which type of message identifiers the ME should listen.

<dcss>: Supported languages

- 0 German
- 1 English
- 2 Italian
- 3 French
- 4 Spanish
- 5 Dutch
- 6 Swedish
- 7 Danish
- 8 Portuguese
- 9 Finnish
- 10 Norwegian
- 11 Greek
- 12 Turkish
- 13 Hungarian
- 14 Polish
- 32 Czech.

AT Commands Interface Guide for 6.57 Release

9.19 Cell Broadcast Message Identifiers +WCBM

9.19.1 Description

This specific command is used to read the EF-CBMI SIM file.

Remark: The EF-CBMI file is not used with the +CSCB command.

The application should read this file (using AT+WCBM?) and combine the Message Identifiers with those required by the application.

9.19.2 Syntax

Command syntax: AT+WCBM=<mids>

Command	Possible responses
AT+WCBM="10,100,1000,10000" <i>Note: Write 4 messages identifiers in EF-CBMI</i>	OK <i>Note: CBMIs are stored in EF-CBMI</i>
AT+WCBM? <i>Note: Read the CBMIs in EF-CBMI</i>	+WCBM="10,100,1000,10000" OK <i>Note: 4 CBMIs are stored in EF-CBMI</i>

9.19.3 Defined values

Please refer to § 9.1 Parameters definition for description of the parameter <mids>.

9.20 Message status modification +WMSC

9.20.1 Description

This commands allow the manipulation of a message status. The accepted status changes are from READ to NOT READ and vice versa, and from SENT to NOT SENT and vice versa.

9.20.2 Syntax:

Command syntax: AT+WMSC=<loc>,<status>

AT Commands Interface Guide for 6.57 Release

Command	Possible responses
AT+CMGR=2	+CMGR: "REC READ", "+336290918", "99/05/01 14:19:44+04" <CR><LF> Hello All of you ! OK
AT+WMSC=2, "REC UNREAD"	
AT+CMGR=2	+CMGR: "REC UNREAD", "+336290918", "99/05/01 14:19:44+04" <CR><LF> Hello All of you ! OK

Possible responses:

- OK if the location is valid
- +CMS ERROR: 321 if <loc> is invalid or free
- +CMS ERROR: 302 if the new <status> and the previous one are incompatible (1)

Note: If all the parameters are correct, the product overwrites the whole SMS in SIM. Only the first byte (Status byte) is changed.

9.20.3 Defined values

- <loc> location number of the stored message (integer)
- <status> new status to be stored, as for +CMGL command:

PDU Mode	Text Mode
0	"REC UNREAD"
1	"REC READ"
2	"STO UNSENT"
3	"STO SENT"

AT Commands Interface Guide for 6.57 Release

9.21 Message overwriting +WMGO

9.21.1 Description

The +WMGO command is used to specify a location in the SIM or Flash memory, for the next SMS storing with +CMGW command. The defined location is used only once: +WMGO has to be used again to perform another overwrite.

Important notes:

- If the external application specifies a free location, and an incoming message is received before the AT+CMGW command occurs, the product may store the incoming message at the specified available location. If the user then issues an AT+CMGW command without changing the location with another AT+WMGO, the received message will be overwritten.
- The location number is not kept over a software reset.

9.21.2 Syntax

Command syntax: AT+WMGO=<loc>

Command	Possible responses
AT+CPMS? <i>Note: Check the storage area</i>	+CPMS: "SM",3,10,"SM",3,10,"SM",3,10 OK
AT+CMGW="+33146290800"<CR> Hello how are you ?<ctrl-Z> <i>Note: Write a message in text mode</i>	+CMGW: 4 OK <i>Note: Message stored in index 4 in the SIM</i>
AT+WMGO=?	+WMGO: (1-10) OK <i>Note: Possible values for the SIM</i>
AT+WMGO=4	OK
AT+CMGW="+33146290000"<CR> You are overwritten<ctrl-Z>	+CMGW: 4 OK <i>Note: New Message stored in index 4</i>
AT+WMGO?	+WMGO: 4 OK <i>Note: The value was used, so re-initialization</i>
AT+WMGO=4	OK

AT Commands Interface Guide for 6.57 Release

Command	Possible responses
AT+CPMS="SM","ME","SM"	+CPMS: 3,10,0,99,3,10 OK <i>Note: Change the storage area from SIM to Flash</i>
AT+WMGO=?	+WMGO: (1-99) OK <i>Note: Possible values for the Flash</i>
AT+WMGO?	+WMGO: 0 OK <i>Note: We changed the storage area, so the value was reinitialized</i>
AT+WMGO=999	+CMS ERROR: 321

Note: if the storage area is changed with the AT+CPMS command, the value of WMGO will be reset to 0.

9.21.3 Defined values

<loc> location number of the SMS to write or overwrite. Number depends of the SIM or Flash memory capacity.

9.22 Un-change SMS Status +WUSS

9.22.1 Description

The +WUSS command allows to keep the SMS Status to UNREAD after +CMGR or +CMGL.

AT Commands Interface Guide for 6.57 Release

9.22.2 Syntax

Command syntax: AT+WUSS=<mode>

Command	Possible responses
AT+WUSS=?	+WUSS: (0-1) OK
AT+WUSS=1	OK
	+CMTI: "SM",10 <i>Note: SMS has been received in index 10</i>
AT+CMGR=10	+CMGR: "REC UNREAD","+33660669023",,"03/02/13,18:36:35+00"<CR><LF> Do you want to change state ? OK
AT+CMGR=10	+CMGR: "REC UNREAD","+33660669023",,"03/02/13,18:36:35+00"<CR><LF> Do you want to change state ? OK <i>Note: The state hasn't be updated</i>
AT+WUSS=0	OK
	+CMTI: "SM",11 <i>Note: SMS has been received in index 11</i>
AT+CMGR=11	+CMGR: "REC UNREAD","+33660669023",,"03/02/13,18:56:55+00"<CR><LF> It is me again. OK
AT+CMGR=11	+CMGR: "REC UNREAD","+33660669023",,"03/02/13,18:56:55+00"<CR><LF> It is me again. OK <i>Note: The state has been updated</i>
AT+WUSS?	+WUSS: 0 OK
AT+CMGR=10	+CMGR: "REC READ", "+33660669023", "03/02/13,18:56:55+00" <CR><LF> It is me again. OK <i>Note: The state has been updated</i>

AT Commands Interface Guide for 6.57 Release

Command	Possible responses
AT+WUSS?	+WUSS: 0 OK

9.22.3 Defined values

<mode>

- 1 The SMS Status will not change.
- 0 The SMS Status will change.

9.23 Copy Messages +WMCP

9.23.1 Description

This command copy the SMS from the SIM to the Flash or from the Flash to the SIM.

9.23.2 Syntax

Command syntax: AT+WMCP=<mode>[,<loc>]

Command	Possible responses
AT+WMCP=?	+WMCP: 0,(1-12) +WMCP: 1,(1-99) OK <i>Note: The location of the SMS which can be copied from the SIM to the flash is 1 to 12 (maximum available in the SIM). The location of the SMS which can be copied from the flash to the SIM is 1 to 99 (the maximum available in the flash).</i>
AT+CPMS? <i>Note: Read the SMS storage</i>	+CPMS: "SM",3,10,"ME",0,99,"SM",3,10 OK <i>Note: Read, write...SMS from/to SIM. 3 SMS are stored in SIM. 10 is the total memory available in SIM. No SMS in Flash</i>
AT+CMGR=1 <i>Note: Read the first SMS from the SIM</i>	+CMGR: "REC UNREAD","0146290800", "98/10/01,18:22:11+00", <CR><LF> My test message: SMS in the SIM at location 1 OK

AT Commands Interface Guide for 6.57 Release

Command	Possible responses
AT+WMCP=0,1 <i>Note: Copy the SMS at location 1 in the SIM to the Flash</i>	OK
AT+CPMS? <i>Note: Read the SMS storage</i>	+CPMS: "SM",3,10,"ME",1,99,"SM",3,10 OK <i>Note: Read, write...SMS from/to SIM. 3 SMS are stored in SIM. 10 is the total memory available in SIM. 1 SMS in Flash</i>
AT+CPMS="ME","ME","ME" <i>Note: Select ME for reading, ME for writing and ME for storing</i>	+CPMS: 1,99,1,99,1,99 OK
AT+CMGR=1 <i>Note: Read the first SMS from the Flash</i>	+CMGR: "REC READ","0146290800", "98/10/01,18:22:11+00",<CR><LF> My test message: SMS in the SIM at location 1 OK
AT+CMGW="+33146290800"<CR> Other test message: SMS in the Flash at location 2<ctrl-Z> <i>Note: Write a message in text mode</i>	+CMGW: 2 OK <i>Note: Message stored in index 2 in the flash</i>
AT+CPMS? <i>Note: Read the SMS storage</i>	+CPMS: "ME",2,99,"ME",2,99,"ME",2,99 OK <i>Note: Read, write...SMS from/to the flash. 2 SMS are stored in the flash.</i>
AT+WMCP=1,2 <i>Note: Copy the SMS at location 2 in the flash to the SIM</i>	OK
AT+CPMS="SM","ME","SM" <i>Note: Select SM for reading, ME for writing and SM for storing</i>	+CPMS: 4,10,2,99,4,10 OK
AT+CMGR=4 <i>Note: Read the first SMS from the SIM</i>	+CMGR: "REC UNREAD","+33146290800", "98/10/01,18:22:11+00",<CR><LF> Other test message: SMS in the Flash at location 2 OK
AT+CPMS="ME" <i>Note: Select ME for reading</i>	+CPMS: 2,99,2,99,4,10 OK

AT Commands Interface Guide for 6.57 Release

Command	Possible responses
AT+CMGD=0,4 <i>Note: Erase all the SMS stored in the Flash</i>	OK
AT+CPMS? <i>Note: Read the SMS storage</i>	+CPMS: "ME",0,99,"ME",0,99,"SM",4,10 OK <i>Note: No SMS is stored in the flash.</i>
AT+WMCP=0 <i>Note: Copy all the SMS from the SIM to the Flash</i>	OK
AT+CPMS? <i>Note: Read the SMS storage</i>	+CPMS: "ME",4,99,"ME",4,99,"SM",4,10 OK <i>Note: 4 SMS are stored in the flash.</i>

9.23.3 Defined values:

- <mode>** Copy mode
- 0: From the SIM to the Flash
 - 1: From the Flash to the SIM
- <loc>** Location of the SMS to copy (mandatory for **<mode>**=1).
If this location is not defined, all the SMS will be copied.

Note: The SMS copied will have the first free location.

AT Commands Interface Guide for 6.57 Release

9.24 More Messages to Send +CMMS

9.24.1 Description

This short message service-oriented AT command allows to keep the link opened while sending several short messages within a short delay.

9.24.2 Syntax

Command syntax: AT+CMMS = <mode>

Command	Possible responses
AT+ CMMS=0 <i>Note: Disable feature</i>	OK <i>Note: feature is disabled</i>
AT+ CMMS=1 <i>Note: Enable feature 1 time</i>	OK <i>Note: feature is enabled, link is open</i>
AT+ CMMS=2 <i>Note: Enable feature</i>	OK <i>Note: feature is enabled, link is open</i>
AT+ CMMS?	+CMMS: 2 OK
AT+ CMMS=?	+CMMS: (0-2) OK

9.24.3 Defined values

<mode>

- 0 Disable feature
- 1 Keep link opened while messages are sent. If the delay between two messages exceeds 5 seconds, the link is closed and the mode is reset to 0: the feature is disabled.
- 2 Keep link opened while messages are sent. If the delay between two messages exceeds 5 seconds, the link is closed but the mode remains set to 2: the feature is still enabled.

Notes:

- the delay of 5 seconds complies with Rec 3GPP 27.005 §3.5.6.
- before sending the last SMS in the link, you must use AT+CMMS=0 command. This command will indicate that the **NEXT** SMS will be the last one.

10 Supplementary Services commands

10.1 Call forwarding +CCFC

10.1.1 Description

This commands allows control of the "call forwarding" supplementary service.

10.1.2 Syntax

Command syntax:

AT+CCFC= <reason>, <mode> [, <number> [,<type> [,<class> [,<subaddr> [, <satype> [,<time>]]]]]]]]

Response syntax:

+CCFC: <status>, <class1> [, <number>, <type> [,<subaddr>, <satype> [,<time>]]] [<CR><LF>+CCFC: <status>, <class2> [, <number>, <type> [,<subaddr>, <satype> [,<time>]]] [...]]

Command	Possible responses
AT+CCFC=0,3,"0146290800" <i>Note: Register to an unconditional call forwarding</i>	OK <i>Note: Command valid</i>
AT+CCFC=0,2 <i>Note: Interrogate unconditional call forwarding</i>	+CCFC:1,1,"0146290800",129 <i>Note: Call forwarding active for voice</i> <CR><LF>+CCFC:1,2,"0146290802",129 <i>Note: Call forwarding active for data</i> <CR><LF>+CCFC:1,4,"0146290804",129 OK <i>Note: Call forwarding active for fax</i>
AT+CCFC=0,4 <i>Note: Erase unconditional call forwarding</i>	OK <i>Note: Command valid</i>

+CCFC responses are not sorted by <class> parameter, but only by the order of network response.

AT Commands Interface Guide for 6.57 Release

10.1.3 Defined values

<reason>

- 0 Unconditional
- 1 Mobile busy
- 2 No reply
- 3 Not reachable
- 4 All call forwarding
- 5 All conditional call forwarding

<mode>

- 0 Disable
- 1 Enable
- 2 Interrogate
- 3 Registration
- 4 Erasure

<type>: TON/NPI (Type of address byte in integer format) (default 145 when dialing string includes international access code character "+", otherwise 129)

<class>

- 1 Voice
- 2 Data
- 4 Fax
- 8 Short Messages
- 7 All classes

Note: The combination of different classes is not supported, it will only result in the activation / deactivation / status request of all classes (7).

If the FDN phonebook is activated, the registration is restricted to the phone numbers written in it.

if **<Class>** parameter is not given in the command, 7 is used as default value.

<subaddr> not managed

<satype> not managed

<time> For **<reason>** = 2 (No reply), 4 (all calls forwarding) and 5 (all conditional call forwarding), time to wait (1 to 30) in seconds before call is forwarded. Default value is 20.

< status >

- 0: not active
- 1: active

AT Commands Interface Guide for 6.57 Release

10.2 Call barring +CLCK

10.2.1 Description

This command allows control of the call barring supplementary service.

Locking, unlocking or querying the status of call barring is possible for all classes or for a specific class, but not a combination of some.

10.2.2 Syntax

Command Syntax: AT+CLCK= <fac>, <mode> [, <password> [, <class>]]

Response Syntax: (for <mode>=2 and command successful)

+CLCK: <status> [, <class1> [<CR><LF>+CLCK: <status>, <class2> [...]]

Command	Possible responses
AT+CLCK="AO",1,1234	OK <i>Note: Command valid</i>
AT+CLCK="AO",0,5555	+CME ERROR: 16 <i>Note: Wrong password</i>
AT+CLCK="AO",0,1234	OK <i>Note: Command valid</i>

10.2.3 Defined values

<fac>

"AO", "OI", "OX" barring for outgoing calls

"AI", "IR" barring for incoming calls

"AG", "AC", "AB" for all calls barring (<mode>=0 only)

<mode>

0: Unlocks the facility

1: Locks the facility

2: Query status

<class>: see description for +CLCK command (Facility lock) or +CCFC (Call forwarding).

Note: A combination of different classes is **not supported**. It will only result in the activation / deactivation / status request for all classes (7).

The password code is over 4 digits maximum.

AT Commands Interface Guide for 6.57 Release

< status >

0: not active

1: active

10.3 Modify SS password +CPWD

10.3.1 Description

This command is used by the application to change the supplementary service password.

10.3.2 Syntax

Command Syntax: AT+CPWD=<fac>,<OldPassword>, <NewPassword>

Command	Possible responses
AT+CPWD="AO",1234,5555 <i>Note: Change Call Barring password</i>	OK <i>Note: Password changed</i>
AT+CPWD="AO",1234,5555 <i>Note: Change password</i>	+CME ERROR: 16 <i>Note: Wrong password</i>
AT+CPWD="AO",5555,1234 <i>Note: Change password</i>	OK <i>Note: Password changed</i>

10.3.3 Defined values

<fac>

see +CLCK command with only "P2" facility added (SIM PIN2).

Note: whatever the facility specified, the change of password applies to all calls barring.

<OldPassword>, <NewPassword>

The password code is over up to 8 digits for P2 facility (4 to 8 digits).

The password code is over up to 4 digits for the other facilities (1 to 4 digits).

AT Commands Interface Guide for 6.57 Release

10.4 Call waiting +CCWA

10.4.1 Description

This command allows control of the call waiting supplementary service.

The product will send a +CCWA unsolicited result code when the call waiting service is enabled.

10.4.2 Syntax

Command Syntax: AT+CCWA=<n>, [<mode> [, <class>]]

Response Syntax: (for <mode>=2 and command successful)

+CCWA: <status> [, <class1> [<CR><LF>+CCWA: <status>, <class2> [...]]

Unsolicited result: +CCWA: <number>, <type>, <class> [,<alpha>]

(when waiting service is enabled)

Command	Possible responses
AT+CCWA=1,1,1 <i>Note: Enable call waiting for voice calls</i>	OK <i>Note: Command valid</i>
AT+CCWA=1,2 <i>Note: Interrogate call waiting</i>	+CCWA:1,1 OK <i>Note: Call waiting active for voice calls</i>
	+CCWA:"0146290800",145,1,"FREDDY" <i>Note: Number and name of the waiting voice call</i> or +CCWA:"0146290800",145,1,"8023459678FF FF" <i>Note: Number and name of the waiting voice call (UCS2 format)</i>
AT+CCWA=1,0,7 <i>Note: Erase call waiting</i>	OK <i>Note: Command valid</i>
	+CCWA:,,1 <i>Note: voice call waiting (no number)</i>
AT+CCWA?	+CCWA: <n> OK
AT+CCWA=?	+CCWA: <i>List of supported <n></i> OK

AT Commands Interface Guide for 6.57 Release

10.4.3 Defined values

- <n>** result code presentation status in the TA
- 0 Disable
 - 1 Enable
- <mode>**
- 0 Disable
 - 1 Enable
 - 2 Query status
- <type>** Type of address byte in integer format (please refer to Rec GSM 04.08 [8] sub clause 10.5.4.7)
- <class>**
- 1 Voice
 - 2 Data
 - 4 Fax
 - 8 Short Messages
 - 7 All classes (voice, data and fax)
- A combination of different classes is **not supported**. It will only result in the activation / deactivation / status request for all classes (7).
- <status>**
- 0 not active
 - 1 active
- <alpha>** optional string type alphanumeric representation of <number> corresponding to the entry found in the ADN or FDN phonebook.

AT Commands Interface Guide for 6.57 Release

10.5 Calling line identification restriction +CLIR

10.5.1 Description

This command allows control of the calling line identification restriction supplementary service.

10.5.2 Syntax

Command syntax: AT+CLIR=<n>

Response syntax: +CLIR:<n>,<m> (for AT+CLIR?)

Command	Possible responses
AT+CLIR=2	OK <i>Note: Command valid</i>
AT+CLIR ? <i>Note: Ask for current functionality</i>	+CLIR:<n>,<m> OK <i>Note: <n> and <m> as defined here-below</i>

10.5.3 Defined values

<n>: sets the line ID restriction for outgoing calls

- 0: Presentation indicator is used according to the subscription of the CLIR service
- 1: CLIR invocation
- 2: CLIR suppression

<m>: shows the subscriber CLIR status in the network

- 0: CLIR not provisioned
- 1: CLIR provisioned in permanent mode
- 2: Unknown (no network...)
- 3: CLIR temporary mode presentation restricted
- 4: CLIR temporary mode presentation allowed

AT Commands Interface Guide for 6.57 Release

10.6 Calling line identification presentation +CLIP

10.6.1 Description

This command allows control of the Calling Line Identifier presentation supplementary service. When presentation of the CLI (Calling Line Identifier) is enabled (and calling subscriber allows), +CLIP response is returned after every RING (or +CRING) result code.

10.6.2 Syntax

Command syntax: AT+CLIP=<n>

Response syntax:

+CLIP: <n>,<m> (as response to AT+CLIP?)

+CLIP: <number>, <type>[,<subaddr>,<satype>,<alpha>] (for an incoming call, after each RING or +CRING indication)

Command	Possible responses
AT+CLIP=1 <i>Note: Enable CLIP</i>	OK <i>Note: CLIP is enabled</i>
AT+CLIP? <i>Note: Ask for current functionality</i>	+CLIP:<n>,<m> OK <i>Note: <n> and <m> defined as below</i>
	RING <i>Note: Incoming call</i> +CLIP: "0146290800",129,1,,"FRED" <i>Note: Incoming call with number and name presentation</i>
	RING <i>Note: Incoming call</i> +CLIP: "0146290800",129,1,,"8000204212FFFF" <i>Note: Incoming call with number and name presentation (UCS2 format)</i>
AT+CLIP=0 <i>Note: Disable CLIP presentation</i>	OK <i>Note: Command valid</i>

AT Commands Interface Guide for 6.57 Release

10.6.3 Defined values

<n>: parameter sets/shows the result code presentation in the TA

- 0: Disable
- 1: Enable

<m>: parameter shows the subscriber CLIP service status in the network

- 0: CLIP not provisioned
- 1: CLIP provisioned
- 2: Unknown (no network...)

10.7 Connected line identification presentation +COLP

10.7.1 Description

This command allows control of the connected line identification presentation supplementary service - useful for call forwarding of the connected line.

10.7.2 Syntax

Command syntax: AT+COLP=<n>

Response syntax:

+COLP: <n>,<m> (as response to AT+COLP?)

+COLP: <number>,<type> [,<subaddr> , <satype> , <alpha>]

after ATD command, before OK or CONNECT <speed>

AT Commands Interface Guide for 6.57 Release

Command	Possible responses
AT+COLP=1 <i>Note: Activate COLP</i>	OK <i>Note: Command valid</i>
AT+COLP? <i>Note: Ask for current functionality</i>	+COLP:1,1 OK <i>Note: COLP is enabled and provisioned</i>
ATD146290928; <i>Note: Outgoing call</i>	+COLP:"0146290928",129,,"JOE" or +COLP:"0146290800",129,1,,"8000204212FFFF" (UCS2 format) OK <i>Note: Connected outgoing line number and name presentation</i>
AT+COLP=0 <i>Note: Deactivate COLP</i>	OK <i>Note: Command valid</i>

10.7.3 Defined values

<n>: parameter sets/shows the result code presentation status in the TA

- 0: Disable
- 1: Enable

<m>: parameter shows the subscriber COLP service status in the network

- 0: COLP not provisioned
- 1: COLP provisioned
- 2: Unknown (no network)

AT Commands Interface Guide for 6.57 Release

10.8 Advice of charge +CAOC

10.8.1 Description

This refers to the Advice of Charge supplementary service (GSM 02.24 and GSM 02.86) which enables the subscriber to obtain information on call cost. With <mode>=0, the command returns the current call meter value (CCM) from the ME.

If AOC is supported, the command can also enable unsolicited event reporting on CCM information.

The unsolicited result code +CCCM: <ccm> is sent when the CCM value changes. Deactivation of unsolicited event reporting is performed with the same command.

If AOC is supported, the Read command indicates whether unsolicited reporting is activated or not.

10.8.2 Syntax

Command syntax: AT+CAOC= <mode>

Command	Possible responses
AT+CAOC=0 <i>Note: Query CCM value</i>	+CAOC: "000A08" OK <i>Note: Display Current Call Meter value (CCM=2568)</i>
AT+CAOC=1 <i>Note: Deactivate unsolicited report of CCM value</i>	OK <i>Note: CCM report deactivated</i>
AT+CAOC=2 <i>Note: Activate unsolicited report of CCM value</i>	OK <i>Note: CCM report activated</i>
AT+CAOC ? <i>Note: Request mode</i>	+CAOC:<mode> OK <i>Note: Display unsolicited report mode (1 or 2)</i>
AT+CAOC=? <i>Note: Request supported modes</i>	+CAOC: (0-2) OK <i>Note: 0,1,2 modes supported</i>

AT Commands Interface Guide for 6.57 Release

10.8.3 Defined values

<mode>

- 0: query CCM value
- 1: deactivate the unsolicited reporting of CCM value
- 2: activate the unsolicited reporting of CCM value

<ccm> string type; three bytes of the current call meter value in hexadecimal format (e.g. "00001E" corresponds to the decimal value 30); value is in home units and bytes are coded in a similar way as the ACMmax value in SIM.

10.9 Accumulated call meter +CACM

10.9.1 Description

This command resets the Advice of Charge for accumulated call meter value in SIM file EF_{ACM}. The ACM contains the total number of home units for both the current and preceding calls. SIM PIN2 is required to reset the value. If setting fails in an ME error, +CME ERROR: <err> is returned.

The Read command returns the current value of the ACM.

The ACM value (entered or displayed) is in hexadecimal format with 6 digits.

AT Commands Interface Guide for 6.57 Release

10.9.2 Syntax

Command syntax: AT+CACM=<pin2 passwd>

Possible response: +CACM: <acm value>

Command	Possible responses
AT+CACM? <i>Note: Request ACM value</i>	+CACM: "000400" OK <i>Note: Display ACM value (ACM=1024)</i>
AT+CACM=1234 <i>Note: Request ACM reset, real PIN2 is "1234"</i>	OK <i>Note: ACM value is reset</i>
AT+CACM=0000 <i>Note: Request ACM reset with wrong PIN2 value</i>	+CME ERROR: 16 <i>Note: Incorrect password</i>
AT+CACM ? <i>Note: Request ACM value</i>	+CACM: "000000" OK <i>Note: Display ACM value (ACM = 0)</i>

10.9.3 Defined values:

<pin2 passwd>: string type

<acm value>: string type coded as <ccm> under +CAOC.

10.10 Accumulated call meter maximum +CAMM

10.10.1 Description

The set command sets the Advice of Charge related to accumulated call meter maximum value in SIM file EF_{ACMmax}. ACMmax contains the maximum number of home units the subscriber is allowed to spend. When ACM (see +CACM) reaches ACMmax, calls are prohibited. SIM PIN2 is required to set the value. If setting fails in an ME error, +CME ERROR: <err> is returned.

The Read command returns the current value of ACMmax.

The ACMmax value (entered or displayed) is in hexadecimal format with 6 digits.

AT Commands Interface Guide for 6.57 Release

10.10.2 Syntax

Command syntax: AT+CAMM:<ACMmax>,<pin2 passwd>

Command	Possible responses
AT+CAMM="000400",1234 <i>Note: Request ACMmax update, PIN2 is "1234"</i>	OK <i>Note: ACMmax updated to 1024</i>
AT+CAMM="000400",0000 <i>Note: Request ACMmax update, PIN2 is "1234"</i>	+CME ERROR: 16 <i>Note: Incorrect password</i>
AT+CAMM ? <i>Note: Request ACMmax value</i>	+CAMM: "000400" OK <i>Note: ACMmax = 1024</i>

10.10.3 Defined values:

<ACMmax>: string type coded as <ccm> under +CAOC. Value 0 disables ACMmax feature.

<pin2 passwd>: string type

AT Commands Interface Guide for 6.57 Release

10.11 Price per unit and currency table +CPUC

10.11.1 Description

The set command sets the parameters for Advice of Charge related to price per unit and the currency table in SIM file EFPUCT. PUCT information can be used to convert the home units (as used in +CAOC, +CACM and +CAMM) into currency units. SIM PIN2 is required to set the parameters. If setting fails in an ME error, +CME ERROR: <err> is returned.

10.11.2 Syntax

Command syntax: AT+CPUC:<currency>,<ppu>,<pin2 passwd>

Command	Possible responses
AT+CPUC="FFR","0.82",1234 <i>Note: Request Currency and Price per unit update</i>	OK
AT+CPUC="FFR","0.82",1111 <i>Note: Request Currency and PPU update (wrong PIN2)</i>	+CME ERROR: 16 <i>Note: Incorrect password</i>
AT+CPUC? <i>Note: Request Currency and Price</i>	+CPUC:"FFR","0.82" OK <i>Note: Currency= "FFR", Price per unit= "0.82"</i>

10.11.3 Defined values:

<currency>: string type

<ppu>: string type

<pin2 passwd>: string type

AT Commands Interface Guide for 6.57 Release

10.12 Call related supplementary services +CHLD

10.12.1 Description

This command is used to manage call hold and multiparty conversation (conference call). Calls can be put on hold, recovered, released or added to a conversation.

10.12.2 Syntax:

Command	Possible responses
AT+CHLD=<n>	OK <i>Note: if n is within the defined values</i>
AT+CHLD=?	+CHLD: (0-4, 11-17, 21-27) OK

10.12.3 Defined values

<n>

- 0:** Release all held calls or set User Determined User Busy (UDUB) for a waiting call.
- 1:** Release all active calls (if any exist) and accepts the other (held or waiting) call.
- 1X:** Release a specific call *X* (active, held or waiting)
- 2:** Place all active calls (if any exist) on hold and accepts the other (held or waiting) call.
- 2X:** Place all active calls on hold except call *X* with which communication is supported.
- 3:** Adds a held call to the conversation.
- 4:** Connects the two calls and disconnects the subscriber from both calls (Explicit Call Transfer).

AT Commands Interface Guide for 6.57 Release

10.13 List current calls +CLCC

10.13.1 Description

This command is used to return a list of current calls.

10.13.2 Syntax:

Command syntax: AT+CLCC

Response syntax: OK (*if no calls are available*)

Else:

+CLCC: <id1>, <dir>, <stat>, <mode>, <mpty> [,<number>, <type> [<alpha>]]

[<CR><LF>

+CLCC: <id2>, <dir>, <stat>, <mode>, <mpty> [,<number>, <type> [<alpha>]][...]]

<CR><LF>

OK

Command	Possible responses
RING <i>Note: Incoming call</i>	
AT+CLCC	+CLCC: 1,1,4,0,0,"0146294079",129 OK
ATA <i>Note: Answering the cal</i>	OK
AT+CLCC	+CLCC: 1,1,1,0,0,"0146294079",129 OK
ATD0146299704; <i>Note: Outgoing call</i>	OK
AT+CLCC <i>Note: Before the phone called is ringing</i>	+CLCC: 1,0,2,0,0,"0146294079",129 OK
AT+CLCC <i>Note: The phone called is ringing</i>	+CLCC: 1,0,3,0,0,"0146294079",129 OK
AT+CLCC <i>Note: The call is being answered</i>	+CLCC: 1,0,0,0,0,"0146294079",129 OK

AT Commands Interface Guide for 6.57 Release

10.13.3 Defined values

<idx> integer type, call identification as described in GSM 02.30

<dir> (direction of the call)

0: mobile originated (MO) call

1: mobile terminated (MT) call

<stat> (state of the call):

0: active

1: held

2: dialing (MO call)

3: alerting (MO call)

4: incoming (MT call)

5: waiting (MT call)

<mode> (teleservice):

0: voice

1: data

2: fax

9: unknown

<mpty> (multiparty)

0: call is not one of multiparty (conference) call parties

1: call is one of multiparty (conference) call parties

<number> string type phone number in format specified by **<type>**

<type> type of address byte in integer format

<alpha> optional string type alphanumeric representation of **<number>**, corresponding to the entry found in phonebook. *(for UCS2 format see commands examples +CLIP, +CCWA or +COLP)*

AT Commands Interface Guide for 6.57 Release

10.14 Supplementary service notifications +CSSN

10.14.1 Description

This command refers to supplementary service related network initiated notifications.

10.14.2 Syntax:

Command syntax: AT+CSSN= <n>, <m>

When <n>=1 and a supplementary service notification is received after a mobile originated call setup, intermediate result code +CSSI:<code1>[,<index>] is sent before any other MO call setup result codes.

When <m>=1 and a supplementary service notification is received during a call, unsolicited result code +CSSU:<code2>[,<index>[,<number>,<type>]] is sent.

10.14.3 Defined values

<n> (parameter sets/shows the +CSSI result code presentation status):

- 0 disable
- 1 enable

<m> (parameter sets/shows the +CSSU result code presentation status):

- 0 disable
- 1 enable

<code1>

- 0 Unconditional call forwarding is active
- 1 Some of the conditional call forwardings are active
- 4 closed User Group call, with CUG <index>
- 5 outgoing calls are barred
- 6 incoming calls are barred
- 7 CLIR suppression rejected

AT Commands Interface Guide for 6.57 Release

<code2>

- 0 This is a forwarded call (MT call setup)
- 1 closed User Group call, with CUG <index>
- 2 call has been put on hold (during a voice call, <number> & <type> fields may be present)
- 3 call has been retrieved (during a voice call, <number> & <type> fields may be present)
- 4 multiparty call entered (during a voice call, <number> & <type> fields may be present)
- 5 call on hold has been released (during a voice call)
- 7 call is being connected (alerting) with the remote party in alerting state in Explicit Call Transfer operation (during a voice call)
- 8 call has been connected with the other remote party in Explicit Call Transfer operation (during a voice call, <number> & <type> fields may be present)

- <index> Closed User Group index
- <number> String type phone number
- <type> Type of address

AT Commands Interface Guide for 6.57 Release

10.15 Unstructured supplementary service data +CUSD

10.15.1 Description

The USSD supplementary service is described in GSM 02.90.

It is based on sequences of digits which may be entered by a mobile user with a handset. A sequence entered is sent to the network which replies with an alphanumeric string, for display only, or for display plus request for the next sequence.

This command is used to:

- enable or disable the CUSD indication sent to the application by the product when an incoming USSD is received
- send and receive USSD strings

10.15.2 Syntax :

Command syntax: AT+CUSD = <n> [,<str> [<dc>]]

Note: In case of enabled presentation, a +CUSD (as direct answer to a send USSD) is then indicated with:

+CUSD: <m> [,<str> ,<dc>]

10.15.3 Defined values

<n>

- | | |
|---|--|
| 0 | Disable the result code presentation |
| 1 | Enable the result code presentation |
| 2 | Cancel session (not applicable to read command response) |

<m>

- | | |
|---|--|
| 0 | no further user action required (network initiated USSD-Notify, or no further information needed after mobile initiated operation) |
| 1 | further user action required (network initiated USSD-Request, or further information needed after mobile initiated operation) |
| 2 | USSD terminated by network |
| 4 | Operation not supported |

AT Commands Interface Guide for 6.57 Release

<str>: network string (name), converted in the selected character set

<dcS>: the data coding scheme received (GSM TS 03.38).

10.15.4 Syntax To send and receive USSD:

Command syntax: AT+CUSD= <n> [,<str> [,<dcS>]]

Note: Please, be aware that the send USSD command needs the user to re-enter the <n> parameter !

10.15.5 Defined values To send and receive USSD:

<str> is the USSD string to be sent.

<dcS> the default alphabet and the UCS2 alphabet are supported.

When the product sends a USSD, an OK response is first returned, and the intermediate +CUSD indication comes subsequently.

In case of error, a "+CUSD:4" indication is returned.

AT Commands Interface Guide for 6.57 Release

10.16 Closed user group +CCUG

10.16.1 Description

The Closed User Group Supplementary Service enables subscribers to form groups with restricted access (both access to and from).

The CUG supplementary service is described in GSM 02.85. This service is provided on prior arrangement with the service provider. Subscription options should be selected at implementation.

The +CCUG command is used to:

- activate/deactivate the control of CUG information for all following outgoing calls,
- select a CUG index,
- suppress outgoing access (OA). OA allows or not a member of a CUG to place calls outside the CUG.
- suppress the preferential CUG. Preferential is the default CUG used by the network when it does not receive an explicit CUG index.

10.16.2 Syntax :

Command syntax: AT+CCUG = <n> [,<index> [<info>]]

10.16.3 Defined values

<n>

- | | |
|---|----------------------------|
| 0 | Disable CUG mode (default) |
| 1 | Enable CUG mode |

<index>

- | | |
|-----|-----------------------|
| 0-9 | CUG index (0 default) |
| 10 | Preferred CUG |

<info>

- | | |
|---|----------------------------------|
| 0 | No information (default) |
| 1 | Suppress OA |
| 2 | Suppress preferential CUG |
| 3 | Suppress OA and preferential CUG |

Remark: To activate the control of the CUG information by call, add [G] or [g] to the ATD command. In this case, index and info values will be used.

AT Commands Interface Guide for 6.57 Release

11 Data commands

11.1 Using AT Commands during a data connection

To use AT Commands during a data connection (e.g. while the product is in online mode), it is necessary either to switch to offline mode, or to use the **specific +WMUX** command to enable Commands / Data multiplexing.

11.1.1 Switch from online to offline mode

To switch from online mode to offline mode, the "+++" sequence must be sent. Following this, the product gets back to offline mode with an "OK" response, and a AT command can be sent.

Note: The "+++" sequence will only work with the **+ICF** command using one of the following settings:

- 8 data bits, with no parity
- 7 data bits, with even parity

11.1.2 Switch from offline to online mode

See the **ATO** command description.

11.2 Bearer type selection +CBST

11.2.1 Description

This command applies to both **outgoing** and **incoming data calls**, but in a different way. For an outgoing call, the two parameters (e.g. **<speed>** and **<ce>**) are meaningful, whereas for an incoming call, only the **<ce>** parameter is used.

Note 1) For incoming calls, if **<ce>** is set to 'T' only and the network offers only 'NT' or vice versa, then the call is released.

Note 2) Values 2 and 3 for **<ce>** parameter are equivalent to former values 100 and 101. Those values are managed for compatibility purpose, but they shouldn't be used in new code (2 as former 100, and 3 as former 101).

AT Commands Interface Guide for 6.57 Release

11.2.2 Syntax

Command syntax: AT+CBST= <speed>, <name>, <ce>

Command	Possible responses
AT+CBST=? <i>Note: Test command</i>	+CBST: (0-8,65,66,68,70,71),(0),(0-3) OK <i>Note: Data 14,4 kbps not supported</i>
AT+CBST=? <i>Note: Test command</i>	+CBST: (0-8,12,14,65,66,68,70,71,75),(0),(0-3) OK <i>Note: Data 14,4 kbps supported</i>
AT+CBST=7,0,1 <i>Note: Ask for a bearer</i>	OK <i>Note: Bearer supported</i>
AT+CBST? <i>Note: Current values</i>	+CBST:7,0,1 OK <i>Note: Command valid</i>
AT+CBST=81,0,0 <i>Note: Ask for a bearer</i>	+CME ERROR: 4 <i>Note: Bearer not supported</i>

AT Commands Interface Guide for 6.57 Release

11.2.3 Defined values

<speed>

0 (default)	Autobauding (modem type: none)
1	300 bps (modem type: V.21)
2	1200 bps (modem type: V.22)
3	1200/75 bps (modem type: V.23)
4	2400 bps (modem type: V.22bis)
5	2400 bps (modem type: V.26ter)
6	4800 bps (modem type: V.32)
7	9600 bps (modem type: V.32)
8	Specific
12	9600 bps (modem type: V.34)
14(*)	1400 bps (modem type: V.34)
65	300 bps (modem type: V.110)
66	1200 bps (modem type: V.110)
68	2400 bps (modem type: V.110)
70	4800 bps (modem type: V.110)
71	9600 bps (modem type: V.110)
75(*)	14400 bps (modem type: V.110)

(*)This speed configures data and fax 14.4 kbps bearers.

<name>

No data compression is provided and only asynchronous modem is supported:
<name> = 0.

<ce>: Connection element

0	Transparent only
1(default)	Non transparent only
2	Transparent preferred
3	Non transparent preferred

AT Commands Interface Guide for 6.57 Release

11.3 Select mode +FCLASS

11.3.1 Description

This command sets the product into a particular operating mode (data or fax).

11.3.2 Syntax

Command syntax: AT+FCLASS= <n>

Command	Possible responses
AT+FCLASS=? <i>Note: Test command</i>	+FCLASS: (0,1) OK <i>Note: Fax class 2 not supported</i>
AT+FCLASS=? <i>Note: Test command</i>	+FCLASS: (0,1,2) OK <i>Note: Fax class 2 supported</i>
AT+FCLASS=0 <i>Note: Data mode requested</i>	OK <i>Note: Command valid</i>
AT+FCLASS=1 <i>Note: Fax class 1 mode requested</i>	OK <i>Note: Command valid</i>
AT+FCLASS? <i>Note: Current value</i>	+FCLASS: 1 OK <i>Note: Command valid</i>

11.3.3 Defined values

<n>

- 0: Data
- 1: Fax class 1
- 2: Fax class 2

AT Commands Interface Guide for 6.57 Release

11.4 Service reporting control +CR

11.4.1 Description

This command enables a detailed type of service reporting in the case of **incoming or outgoing data calls**. Before sending the CONNECT response to the application, the product will specify the type of data connection that has been set up.

These report types are:

+CR: ASYNC	For asynchronous transparent
+CR: REL ASYNC	For asynchronous non-transparent

11.4.2 Syntax :

Command syntax: AT+CR=<mode>

Command	Possible responses
AT+CR=0 <i>Note: Extended reports disabled</i>	OK <i>Note: Command valid</i>
AT+CR=1 <i>Note: Extended reports enabled</i>	OK <i>Note: Command valid</i>
AT+CR?	+CR: 1 OK
AT+CR=?	+CR: (0,1) OK

11.4.3 Defined values:

<mode>:

0: disable extended reports

1: enable extended reports

AT Commands Interface Guide for 6.57 Release

11.5 Cellular result codes +CRC

11.5.1 Description

This command allows more detailed ring information for an **incoming call** (voice or data). Instead of the string "RING", an extended string is used to indicate which type of call is ringing (e.g. +CRING: VOICE).

These extended indications are:

+CRING ASYNC	for asynchronous transparent
+CRING: REL ASYNC	for asynchronous non-transparent
+CRING: VOICE	for normal speech.
+CRING: FAX	for fax calls

11.5.2 Syntax :

Command syntax: AT+CRC=<mode>

Command	Possible responses
AT+CRC=0 <i>Note: Extended reports disabled</i>	OK <i>Note: Command valid</i>
AT+CRC=1 <i>Note: Extended reports enabled</i>	OK <i>Note: Command valid</i>
AT+CRC?	+CRC: 1 OK
AT+CRC=?	+CRC: (0,1) OK

11.5.3 Defined values:

<mode>:

0: disable extended reports

1: enable extended reports

AT Commands Interface Guide for 6.57 Release

11.6 DTE-DCE local rate reporting +ILRR

11.6.1 Description

This parameter controls whether the extended-format "+ILRR: <rate>" information text is transmitted from the DCE to the DTE or not. The <rate> value reported represents the current (negotiated or renegotiated) DTE-DCE speed rate.

If enabled, the intermediate result code is transmitted in an **incoming or outgoing data call**, after any data compression report, and before any final result code (CONNECT).

11.6.2 Syntax

Command syntax: AT+ILRR = <value>

Command	Possible responses
AT+ILRR=0 <i>Note: Local port rate report disabled</i>	OK <i>Note: Command valid</i>
AT+ILRR=1 <i>Note: Local port rate report enabled</i>	OK <i>Note: Command valid</i>
AT+ILRR?	+ILRR: 1 OK
AT+ILRR=?	+ILRR: (0,1) OK

11.6.3 Defined values:

<value>:

0: disable local port rate report

1: enable local port rate report

<rate> can take the following values: 300, 600, 1200, 2400, 4800, 9600, 19200, 38400, 57600, 115200 (kbps).

AT Commands Interface Guide for 6.57 Release

11.7 Radio link protocol parameters +CRLP

11.7.1 Description

This command modifies the radio link protocol parameters used for non transparent data transmission.

11.7.2 Syntax

Command syntax: AT+CRLP= <iws>, <mws>, <T1>, <N2>, <ver>

Command	Possible responses
AT+CRLP=? <i>Note: Test command</i>	+CRLP: (0-61),(0-61),(40-255),(1,255),(0) OK <i>Note: V42bis not supported</i>
AT+CRLP=? <i>Note: Test command</i>	+CRLP: (0-61),(0-61),(40-255),(1,255),(0,1) OK <i>Note: V42bis supported</i>
AT+CRLP=61,61,48,6,0 <i>Note: Set new parameters</i>	OK <i>Note: Command valid</i>
AT+CRLP? <i>Note: Current values</i>	+CRLP: 61,61,48,6,0 <i>Note: Command valid</i>

11.7.3 Defined values

<iws>: Down window size, (default is 61)

Range 0 to 61

<mws>: Up window size, (default is 61)

Range 0 to 61

<T1>: Acknowledgement timer in units of 10ms, (default is 48)

Range 40 to 255

<N2>: Retransmission attempts, (default is 6),

Range 1 to 255

<ver>: Version number.

0: V42bis is not supported.

1: V42bis is supported

AT Commands Interface Guide for 6.57 Release

11.8 Others radio link parameters +DOPT

11.8.1 Description

This Wavecom specific command modifies some supplementary radio link protocol parameters.

11.8.2 Syntax

Command syntax: AT+DOPT=<reset_allowed>,<dtx_allowed>

Command	Possible responses
AT+DOPT=1 <i>Note: Set new parameters (2nd value is the default one)</i>	OK <i>Note: Command valid</i>
AT+DOPT=? <i>Note: Test command</i>	(0,1),(0,1) OK <i>Note: DTX is supported</i>
AT+DOPT=1,1 <i>Note: Set new parameters</i>	OK <i>Note: Command valid</i>
AT+DOPT? <i>Note: Current values</i>	1,1 OK <i>Note: Command valid</i>

11.8.3 Defined values

<reset_allowed>

- 0 Data communication is hung up in case of bad radio link.
- 1 Data communication is held, even in case of bad radio link (**possible loss of data**). Default value

< dtx_allowed >

- 0 Normal mode
- 1 Economic battery mode (not supported by all networks), default value

AT Commands Interface Guide for 6.57 Release

11.9 Select data compression %C

11.9.1 Description

This command enables or disables data compression negotiation if this feature is supported by the product.

11.9.2 Syntax

Command syntax: AT%C<n>

Command	Possible responses
AT%C0 <i>Note: Command</i>	OK <i>Note: Feature supported</i>
AT%C2 <i>Note: Command</i>	OK <i>Note: V42bis supported</i>
AT%C? <i>Note: Current value</i>	2 OK <i>Note: Command valid</i>

11.9.3 Defined values

<n>

- 0: no compression (default value)
- 2: V42bis compression if supported

AT Commands Interface Guide for 6.57 Release

11.10 V42 bis data compression +DS

11.10.1 Description

This command enables or disables V.42bis data compression if this feature is supported by the product. Beware that the product only allows the MNP2 protocol.

11.10.2 Syntax

Command syntax: AT+DS=[[<dir>][,<neg>][,<P1>][,<P2>]]]

Command	Possible responses
AT+DS=? <i>Note: Test command</i>	+DS: (0-3),(0,1),(512-2048),(6-250) OK
AT+DS=3,0, 2048,250 <i>Note: Set new parameters</i>	OK <i>Note: Command valid</i>
AT+DS? <i>Note: Current values</i>	+DS: 3,0,2048,250 OK <i>Note: Command valid</i>

11.10.3 Defined values

<dir>: specifies the desired direction(s) of operation of the data compression function; **from the DTE point of view**

- 0 Negotiated ... no compression
- 1 Transmit only
- 2 Receive only
- 3 Both directions, accept any direction (default value)

<neg>: specifies whether or not the DCE should continue to operate if the desired result is not obtained

- 0 Do not disconnect if V.42 bis is not negotiated by the remote DCE as specified in <dir> (default value)
- 1 Disconnect if V.42 bis is not negotiated by the remote DCE as specified in <dir>

<P1 >: specifies the maximum number of dictionary entries that should be negotiated, **(default is 2048)**

Range **512 to 2048**

<P2 >: specifies the maximum string length to be negotiated, **(default is 20)**.

Range **6 to 250**

AT Commands Interface Guide for 6.57 Release

11.11 V42 bis data compression report +DR

11.11.1 Description

This command determines whether or not the use of V42bis is allowed for an **incoming or outgoing data call**, if the feature is provided by the product.

The intermediate result code represents current DCE-DCE data compression type. The format of this result code is as follows:

+DR: NONE	Data compression is not in use
+DR: V42B	Rec. V.42 bis is in use in both directions
+DR: V42B RD	Rec. V.42 bis is in use in receive direction only
+DR: V42B TD	Rec. V.42 bis is in use in transmit direction only

The +DR intermediate result code, if enabled, is issued before the final result code, after the service report control +CR and before the +ILRR intermediate report.

11.11.2 Syntax

Command syntax: AT+DR=<status>

Command	Possible responses
AT+DR=? <i>Note: Test command</i>	+DR: (0,1) OK
AT+DR=1 <i>Note: Reporting enabled</i>	OK <i>Note: Command valid</i>
AT+DR? <i>Note: Current value</i>	+DR: 1 OK <i>Note: Command valid</i>

11.11.3 Defined values

<status>: state of the V42bis enabling

0: disabled (default value)

1: enabled

AT Commands Interface Guide for 6.57 Release

11.12 Select data error correcting mode \N

11.12.1 Description

This command controls the preferred error correcting mode for a data connection, if the feature is provided by the product. It can only be used for **transparent data transmission**.

If the MNP2 feature is provided, the product authorizes MNP error correction mode.

11.12.2 Syntax

Command syntax: AT\N<n>

Command	Possible responses
AT\N0 <i>Note: no error correction</i>	OK
AT\N? <i>Note: Current value</i>	0 OK <i>Note: Command valid</i>
AT\N4	+CME ERROR: 3

11.12.3 Defined values

<n>

0: Disables error correction mode (default value)

5: Selects MNP error correction mode

Note: +E prefixed commands of V.25 ter are not used.

AT Commands Interface Guide for 6.57 Release

12 Fax commands

The fax service provided by the product is class 1 compatible. However, only the core commands defined by ITU T.31 are supported. This means that commands such as AT+FAR, +FCC, etc. are not supported.

Autobauding must be enabled to set up the product for fax.

All commands described hereafter will return an ERROR response code if they are not issued during communication.

12.1 Transmit speed +FTM

12.1.1 Description

This command sets the fax transmit speed.

12.1.2 Syntax

Command syntax: AT+FTM=<speed>

Command	Possible responses
AT+FTM=? <i>Note: Test command</i>	(24,48,72,73,74,96,97,98,121,122,145,146) OK <i>Note: Fax 14.4 kbps supported</i>

AT Commands Interface Guide for 6.57 Release

12.1.3 Defined values

<speed>

24	2400 bps (modem type V.27ter)
48	4800 bps (modem type V.27ter)
72	7200 bps (modem type V.29)
73	7200 bps (long) (modem type V.17)
74	7200 bps (short) (modem type V.17)
96	9600 bps (modem type V.29)
97	9600 bps (long) (modem type V.17)
98	9600 bps (short) (modem type V.17)
121	12000 bps (long) (modem type V.17)
122	12000 bps (short) (modem type V.17)
145	14400 bps (long) (modem type V.17)
146	14400 bps (short) (modem type V.17)

12.2 Receive speed +FRM

12.2.1 Description

This command sets the fax receive speed.

12.2.2 Syntax

Command syntax: AT+FRM=<speed>

Command	Possible responses
AT+FRM=? <i>Note: Test command</i>	(24,48,72,73,74,96,97,98,121,122,145,146) OK <i>Note: Fax 14.4 kbps supported</i>

12.2.3 Defined values

The speed values are identical to those of the +FTM command (*see 12.1*).

AT Commands Interface Guide for 6.57 Release

12.3 HDLC transmit speed +FTH

12.3.1 Description

This command sets the fax transmit speed, using the HDLC protocol.

12.3.2 Syntax

Command syntax: AT+FTH=<speed>

Command	Possible responses
AT+FTH=? <i>Note: Test command</i>	+FTH: (3) OK

12.3.3 Defined values

<speed>

3: V.21 channels 300 bps.

12.4 HDLC receive speed +FRH

12.4.1 Description

This command sets the fax receive speed, using the HDLC protocol.

12.4.2 Syntax

Command syntax: AT+FRH=<speed>

Command	Possible responses
AT+FRH=? <i>Note: Test command</i>	+FTH: (3) OK

12.4.3 Defined values

<speed>

3: V.21 channels 300 bps.

AT Commands Interface Guide for 6.57 Release

12.5 Stop transmission and wait +FTS

12.5.1 Description

This command stops transmission for the specified period.

12.5.2 Syntax

Command syntax: AT+FTS=<n>

Command	Possible responses
AT+FTS=? <i>Note: Test command</i>	(0-255) OK
AT+FTS=50 <i>Note: Stops transmission and waits for 0.5s</i>	OK <i>Note: Command valid</i>

12.5.3 Defined values

<n>: silence period (unit is 10 ms).

12.6 Receive silence +FRS

12.6.1 Description

This command causes the modem to stop listening to the network and report back to the DTE after the specified period.

It is aborted if any character is received from the application.

12.6.2 Syntax

Command syntax: AT+FRS=<n>

Command	Possible responses
AT+FRS=? <i>Note: Test command</i>	(0-255) OK
AT+FRS=50 <i>Note: Stops transmission and waits for 0.5s</i>	OK <i>Note: Command valid</i>

AT Commands Interface Guide for 6.57 Release

12.6.3 Defined values

<n>: no-listening period (units is 10 ms).

12.7 Setting up the PC fax application:

The recommended fax application is *Delrina WinFax v8.0*.

It should be configured as follows (menu Setup/Fax Modem Setup):

- Port: any com
- Model: Generic Class 1 (hardware flow control). A generic class 1 with software flow control can also be selected.
- Init: default string is suitable for the product
- Reset: default string is suitable for the product
- Maximum Transmit Rate: 9600 baud (if higher, rate will be automatically cut back to 9600 baud).

Other settings are of no relevance for the GSM unit: they can be modified.

AT Commands Interface Guide for 6.57 Release

13 Fax class 2 commands

If the feature is supported, the commands +FDT, +FDR, +FET, +FPTS and +FK must be used during call only.

The other commands, +FBOR, +FBUF, +FCQ, +FCR, +FDCC, +FDIS, +FLID and +FPHCTO, cannot be used during call.

13.1 Transmit Data +FDT

13.1.1 Description :

This command prefixes data transmission.

13.1.2 Syntax

Command syntax: AT+FDT

13.1.3 Defined values

No parameter

13.2 Receive Data +FDR

13.2.1 Description

This command initiates data reception.

13.2.2 Syntax

Command syntax: AT+FDR

13.2.3 Defined values

No parameter

AT Commands Interface Guide for 6.57 Release

13.3 Transmit page punctuation +FET

13.3.1 Description

This command punctuates page and document transmission after the +FDT command. It indicates that the current page is complete, and if there are additional pages to send.

13.3.2 Syntax

Command syntax: AT+FET=<ppm>

The remote station should respond with +FPTS:<ppr>

13.3.3 Defined values

<ppm>

- 0 Another page next, same document
- 1 Another document next
- 2 No more pages or documents
- 3 Another partial page next
- 4 Another page, procedure interrupt
- 5 Another document, procedure interrupt
- 6 All done, procedure interrupt

13.4 Page transfer status parameters +FPTS

13.4.1 Description

This command sets post page transfer response.

13.4.2 Syntax

Command syntax: AT+FPTS=<ppr>

AT Commands Interface Guide for 6.57 Release

13.4.3 Defined values

<ppr>

- 1 Page good
- 2 Page bad ; retry requested
- 3 Page good ; retrain requested
- 4 Page bad ; interrupt requested
- 5 Page good ; interrupt requested

13.5 Terminate Session +FK

13.5.1 Description

This command causes the product to terminate the session.

13.5.2 Syntax

Command syntax: AT+FK

13.5.3 Defined values

No parameter

13.6 Page transfer bit order +FBOR

13.6.1 Description

This command sets the bit order for negotiation and fax page transfer. The order is related to the bit order on radio link.

13.6.2 Syntax

Command syntax: AT+FBOR=<n>

Command	Possible responses
AT+FBOR=?	(0-3)
<i>Note: Test command</i>	OK

AT Commands Interface Guide for 6.57 Release

13.6.3 Defined values

<n>	Bit order for negotiation	Bit order for page transfer
0(default)	Same	Same
1	Same	Reverse
2	Reverse	Same
3	Reverse	Reverse

13.7 Buffer size report +FBUF

13.7.1 Description

This command requests the size of the exchange buffer between the modem and the fax application.

Note: Only the read command is supported.

13.7.2 Syntax

Command syntax: AT+FBUF

Command	Possible responses
AT+FBUF?	1024
<i>Note: Current value</i>	OK
	<i>Note: Command valid</i>

13.7.3 Defined values

No parameter

13.8 Copy quality checking +FCQ

13.8.1 Description

This command controls Copy Quality checking for receiving faxes.

AT Commands Interface Guide for 6.57 Release

13.8.2 Syntax

Command syntax: AT+FCQ=<n>

Command	Possible responses
AT+FCQ=? <i>Note: Test command</i>	(0) OK

13.8.3 Defined values

<n>

0: default value, the only supported

13.9 Capability to receive +FCR

13.9.1 Description

This command controls the capability of the modem to accept incoming faxes.

13.9.2 Syntax

Command syntax: AT+FCR=<n>

Command	Possible responses
AT+FCR=? <i>Note: Test command</i>	(0,1) OK

13.9.3 Defined values

<n>

- 0 The modem will not accept incoming faxes.
- 1 The modem will accept incoming faxes (default value).

AT Commands Interface Guide for 6.57 Release

13.10 Current sessions parameters +FDIS

13.10.1 Description

This command allows the DTE to parameter the capabilities used for the current session.

13.10.2 Syntax

Command syntax: AT+FDIS=<vr>,
,<wd>,<ln>,<df>,<ec>,<bf>,<st>

Command	Possible responses
AT+FDIS=?	(0,1),(0-5),(0-2),(0-2),(0-3),(0),(0),(0-7) OK <i>Note: Fax ECM not supported, Fax 14,4 kbps supported</i>
	(0,1),(0-3),(0-2),(0-2),(0-3),(0),(0),(0-7) OK <i>Note: Fax ECM not supported, Fax 14,4 kbps not supported</i>

13.10.3 Defined values

This command accepts eight numeric parameters (of the T30 standard).

<vr>: Vertical Resolution,

- 0 Normal: 98 lpi (default value)
- 1 Fine: 196 lpi

: Bit Rate,

- 0 2400 bps (modem type V.27 ter)
- 1 4800 bps (modem type V.27 ter)
- 2 7200 bps (modem type V.29)
- 3 9600 bps (modem type V.29, V.17). Default value if 14,4 kbps data feature IS NOT supported.
- 4(*) 12000 bps (modem type V.33, V.17)
- 5(*) 14400 bps (modem type V.33, V.17). Default value if 14,4 kbps data feature IS supported.

(*) Only when product supports 14,4 kbps data feature

AT Commands Interface Guide for 6.57 Release

<wd>: Page Width,

- 0 1728 pixels in 215 mm (default value)
- 1 2048 pixels in 255 mm
- 2 2432 pixels in 303 mm

<ln>: Page Length,

- 0 A4, 297 mm
- 1 B4, 364 mm
- 2 Unlimited (default value)

<df>: Data Compression Format,

- 0 1-D modified Huffman (default value)
- 1 2-D modified read
- 2 2-D uncompressed mode
- 3 2-D modified modified read

<ec>: Error Correction,

- 0: Disable Fax ECM. Default value if fax ECM feature IS NOT supported.
- 1(*): Enable Fax ECM, 64 bytes/frame
- 2(*): Enable Fax ECM, 256 bytes/frame. Default value if fax ECM feature IS supported.

(*) Only when product supports fax Error Correction Mode feature

<bf>: Binary File Transfer,

Only **<bf>**: 0 is supported.

AT Commands Interface Guide for 6.57 Release

<st>: Scan Time per line,

<st>	Description if <vr>=0	Description if <vr>=1
0 (default)	0 ms	0 ms
1	5 ms	5 ms
2	10 ms	5 ms
3	10 ms	10 ms
4	20 ms	10 ms
5	20 ms	20 ms
6	40 ms	20 ms
7	40 ms	40 ms

13.11 DCE capabilities parameters +FDCC

13.11.1 Description

This command allows the DTE to parameter the capabilities used for any session.

13.11.2 Syntax

Command syntax: AT+FDCC=<vr>,
,<wd>,<ln>,<df>,<ec>,<bf>,<st>

Command	Possible responses
AT+ FDCC=? <i>Note: Test command</i>	(0,1),(0-5),(0-2),(0-2),(0-3),(0-2),(0),(0-7) OK <i>Note: Fax ECM supported, Fax 14,4 kbps supported</i>
	(0,1),(0-5),(0-2),(0-2),(0-3),(0),(0),(0-7) OK <i>Note: Fax ECM not supported, Fax 14,4 kbps supported</i>
	(0,1),(0-3),(0-2),(0-2),(0-3),(0-2),(0),(0-7) OK <i>Note: Fax ECM supported, Fax 14,4 kbps not supported</i>
	(0,1),(0-3),(0-2),(0-2),(0-3),(0),(0),(0-7) OK <i>Note: Fax ECM not supported, Fax 14,4 kbps not supported</i>

AT Commands Interface Guide for 6.57 Release

13.11.3 Defined values

The parameters and default values are the same as for the +FDIS command (see 13.10.3).

13.12 Local ID string +FLID

13.12.1 Description

This command allows the local ID string to be defined.

13.12.2 Syntax

Command syntax: AT+FLID="<string>"

Command	Possible responses
AT+FLID=? <i>Note: Test command</i>	(20),(32-127) OK

13.12.3 Defined values

<string>

The string has a limited size of 20 characters, and accepts any characters between 32 and 127 as ASCII codes..

13.13 Page transfer timeout parameter +FPHCTO

13.13.1 Description

This command sets the time interval during which the modem expects another page before it assumes there are no more pages and aborts.

13.13.2 Syntax

Command syntax: AT+FPHCTO=<n>

Command	Possible responses
AT+FPHCTO=? <i>Note: Test command</i>	(0-255) OK

AT Commands Interface Guide for 6.57 Release

13.13.3 Defined values

<n>: waiting period for another page in seconds.

Range: 0 to 255, default value is 30.

13.14 Fax Class 2 indication messages

The following messages are used to indicate DCE Responses. They are used in communication only.

+FCON:

This response indicates connection with a fax machine.

**+FDCS <vr>,
,<wd>,<ln>,<df>,<ec>,<bf>,<st>:**

This response reports current session capabilities. The parameters are the same than those of AT+FDIS command (see 0).

**+FDIS <vr>,
,<wd>,<ln>,<df>,<ec>,<bf>,<st>:**

This response reports remote capabilities. The parameters are the same than those of AT+FDIS command (see 0).

<vr>

Combinations of the following values are also allowed.

<vr>	Coding
0x01	R8 × 7.7 l/mm, Fine (196 lpi)
0x02	R8 × 15.4 l/mm
0x04	R16 × 15.4 l/mm
0x08	200 dpi × 100 l/25.4 mm
0x10	200 dpi × 200 l/25.4 mm
0x20	200 dpi × 400 l/25.4 mm
0x40	300 dpi × 300 l/25.4 mm

+FCFR:

This response indicates confirmation to receive.

+FTSI "<string>":

This response reports the received transmit station ID string.

AT Commands Interface Guide for 6.57 Release

+FCSI "<string>":

This response reports the received called station ID string.

+FPTS <ppr>:

This response reports received page transfer status. The parameter is the same than the one of AT+FPTS command (see 13.4).

+FET <ppm>:

This response reports post page message response. The parameter is the same than the one of AT+FET command (see 13.2.3).

+FHNG <cause>:

This response reports the hang-up cause. It indicates that the call has been terminated.

<cause>

0	Normal end of connection.
10	Unspecified transmit phase A error.
20	Unspecified transmit phase B error.
40	Unspecified transmit phase C error.
50	Unspecified transmit phase D error.
70	Unspecified receive phase B error.
90	Unspecified receive phase C error.
100	Unspecified receive phase D error.

AT Commands Interface Guide for 6.57 Release

14 V24-V25 commands

Important note: all commands described hereafter will apply to the currently selected (and used) UART.

14.1 Fixed DTE rate +IPR

14.1.1 Description

This commands specifies the data rate at which the DCE will accept commands.

Notes:

- The serial autobauding feature is supported, and covers the following serial speeds (only): 2400, 4800, 9600, 19200, 38400, 57600 bps. Beyond those serial speeds, proper operation of the Wireless CPU is not guaranteed.
- Any AT command issued by the DTE must start with both capital 'A' and 'T' (or '/') or both lower case 'a' and 't' (or '/'), otherwise the DCE may return some garbage characters and become desynchronized. Should this happen, the DTE simply issues 'AT\r' (at 2400 or 4800 bauds) once or twice or just 'AT' (at 9600 bauds) to resynchronize the modem.
- The DTE waits for 1ms after receiving the last character of the AT response (which is always '\n' or 0x0A) to send a new AT command at either the same rate or a new rate. Should this delay be ignored, the DCE can become desynchronized. Once again, sending 'AT\r' once or twice or just 'AT' causes the DCE to recover.

Caution:

when starting up, if autobauding is enabled and no AT command has yet been received, the product sends all unsolicited responses (like RING) at 9600 bauds.

AT Commands Interface Guide for 6.57 Release

14.1.2 Syntax

Command syntax: AT+IPR=<rate>

Command	Possible responses
AT+IPR?	+IPR: 9600 OK <i>Note: Current rate is 9600 bps</i>
AT+IPR=?	+IPR: (0, 2400, 4800, 9600, 19200, 38400, 57600), (300, 600, 1200, 115200) OK <i>Note: Possible values, according to V25 ter Recommendation: the first set of values indicates the range of auto-detectable baud rates (including 0). The second set of values indicates the baud rates supported by the DCE but not auto-detectable.</i>
AT+IPR=38400	OK <i>Note: Disable autobauding and set rate to 38400 bps</i>
AT+IPR=0	OK <i>Note: Enable autobauding</i>

14.1.3 Defined values

<rate>: baud rates that can be used by the DCE

- 0 (enables autobauding)
- 300
- 600
- 1200
- 2400
- 4800
- 9600
- 19200
- 38400
- 57600
- 115200

AT Commands Interface Guide for 6.57 Release

14.2 DTE-DCE character framing +ICF

14.2.1 Description

This command is used to determine the local serial port start-stop (asynchronous) character framing used by the DCE.

14.2.2 Syntax

Command syntax: AT+ICF= <format>[, <parity>]

Command	Possible responses
AT+ICF?	+ICF: 3,4 OK <i>Note: Current values</i>
AT+ICF=?	+ICF: (1-6),(0-4) OK <i>Note: Possible values</i>
AT+ICF=2,0	OK <i>Note: New values</i>

AT Commands Interface Guide for 6.57 Release

14.2.3 Defined values:

<format>

0: Auto detect (*not supported*)

1: 8 Data 2 Stop (*supported*)

<parity> parameter is ignored.

2: 8 Data 1 Parity 1 Stop (*supported*)

if no <parity> provided, 3 is used by default as <parity> value.

3: 8 Data 1 Stop (*supported*)

<parity> parameter is ignored.

4: 7 Data 2 Stop (*supported*)

<parity> parameter is ignored.

5: 7 Data 1 Parity 1 Stop (*supported*)

if no <parity> provided, 3 is used by default as <parity> value.

6: 7 Data 1 Stop (*supported*)

<parity> parameter is ignored.

<parity>

0: Odd (*supported*)

1: Even (*supported*)

2: Mark (*supported*)

3: Space (*supported*)

4: None (*supported*)

Notes:

- Setting a character framing different from 8N1 will disable autobauding if it was activated. Setting it back to 8N1 **will not** re-enable auto-baud.
- Setting the framing to 8N1 will let the autobauding enabled, if it was already enabled (implying framing was already 8N1).

AT Commands Interface Guide for 6.57 Release

14.3 DTE-DCE local flow control +IFC

14.3.1 Description

This command is used to control the operation of local flow control between the DTE and DCE.

14.3.2 Syntax

Command syntax: AT+IFC=<DCE_by_DTE>,<DTE_by_DCE>

Command	Possible responses
AT+IFC?	+IFC: 2,2 OK <i>Note: Current values</i>
AT+IFC=?	+IFC: (0,2),(0,2) OK <i>Note: Possible values</i>
AT+IFC=0,0	OK <i>Note: New values</i>

AT Commands Interface Guide for 6.57 Release

14.3.3 Defined values

< DCE_by_DTE >

- 0: none (*supported*)
- 1: Xon/Xoff local circuit 103 (*not supported*)
- 2: RTS (*supported*)
- 3: Xon/Xoff global on circuit 103 (*not supported*)

Important note:

When this parameter is set to 2 (DTE invokes flow control through RTS) DCE behavior is as follows:

If the DCE has never detected RTS in the high (or ON) condition since startup, then it ignores RTS (assuming this signal is not connected).

As soon as the DCE detects RTS high the signal acts on it. Therefore subsequent RTS transition to OFF will prevent the DCE from sending any further data in both online and offline modes.

This behavior allows the user to use the default settings (hardware flow control) and leave RTS disconnected. In the case where RTS is connected and is high at least once, it acts on the DCE.

< DTE_by_DCE >

- 0: none (*supported*)
- 1: Xon/Xoff circuit 104 (*not supported*)
- 2: CTS (*supported*)

When this parameter is set to 0 (none) then CTS is kept high all the time.

AT Commands Interface Guide for 6.57 Release

14.4 Set DCD signal &C

14.4.1 Description

This commands controls the Data Carrier Detect (DCD) signal.

Note: Wavecom products slightly differ from V25ter Recommendation. DCD signal ("Circuit 109") is turned ON at the same time the CONNECT message is sent, whereas the specification states the DCD should be turned ON after the CONNECT message was received.

14.4.2 Syntax

Command syntax: AT&C<n>

Command	Possible responses
AT&C0 <i>Note: DCD always on</i>	OK <i>Note: Command valid</i>
AT&C1 <i>Note: DCD matches state of the remote modem's data carrier</i>	OK <i>Note: Command valid</i>

14.4.3 Defined values:

<n>

- 0 DCD always on
- 1 DCD matches state of the remote modem's data carrier

AT Commands Interface Guide for 6.57 Release

14.5 Set DTR signal &D

14.5.1 Description

This command controls the Data Terminal Ready (DTR) signal.

14.5.2 Syntax

Command syntax: AT&D<n>

Command	Possible responses
AT&D0 <i>Note: The DTR signal is ignored</i>	OK <i>Note: Command valid</i>
AT&D1 <i>Note: Modem switches from data to command mode when DTR switches from ON to OFF</i>	OK <i>Note: Command valid</i>
AT&D2 <i>Note: Upon DTR switch from ON to OFF, the call is released</i>	OK <i>Note: Command valid</i>

14.5.3 Defined values:

<n>

- 0: The DTR signal is ignored
- 1: Modem switches from data to command mode when DTR switches from ON to OFF
- 2: Upon DTR switch from ON to OFF, the call is released

AT Commands Interface Guide for 6.57 Release

14.6 Set DSR signal &S

14.6.1 Description

This command controls the Data Set Ready (DSR) signal.

14.6.2 Syntax

Command syntax: AT&S<n>

Command	Possible responses
AT&S0 <i>Note: DSR always on</i>	OK <i>Note: Command valid</i>
AT&S1 <i>Note: DSR off in command mode, DSR on in data mode</i>	OK <i>Note: Command valid</i>

14.6.3 Defined values:

<n>

0: DSR always on

1: DSR off in command mode, DSR on in data mode

14.7 Back to online mode O

14.7.1 Description

If a connection has been established and the ME is in command mode, this command allows you to return to online data mode.

14.7.2 Syntax

Command syntax: ATO

Command	Possible responses
ATO <i>Note: Return from offline mode to online mode</i>	OK

AT Commands Interface Guide for 6.57 Release

14.7.3 Defined values

No parameter

14.8 Result code suppression Q

14.8.1 Description

This command determines whether the mobile equipment sends result codes or not

14.8.2 Syntax

Command syntax: ATQ<n>

Command	Possible responses
ATQ0 <i>Note: DCE transmits result codes</i>	OK <i>Note: Command valid</i>
ATQ1 <i>Note: Result codes are suppressed and not transmitted</i>	<i>Note: No response</i>

14.8.3 Defined values

<n>

0: DCE transmits result codes

1: Result codes are suppressed and not transmitted

AT Commands Interface Guide for 6.57 Release

14.9 DCE response format V

14.9.1 Description

This command determines whether the DCE response format uses or not the header characters <CR><LF>, and the result codes are provided as numeric or verbose.

14.9.2 Syntax

Command syntax: `ATV<n>`

Command	Possible responses
ATV0 <i>Note: DCE transmits limited headers and trailers and numeric result codes</i>	0 <i>Note: Command is valid (0 means OK)</i>
ATV1 <i>Note: DCE transmits full headers and trailers and verbose response text</i>	OK <i>Note: Command valid</i>

14.9.3 Defined values

	<n>=0	<n>=1
Information responses	<text><CR><LF>	<CR><LF> <text><CR><LF>
Result codes	<numeric code><CR>	<CR><LF> <verbose code><CR><LF>

AT Commands Interface Guide for 6.57 Release

14.10 Default configuration Z

14.10.1 Description

This command restores the configuration profile. Any call is released.

14.10.2 Syntax

Command syntax: ATZ

Command	Possible responses
ATZ	Ok <i>Note: Command valid</i>

14.10.3 Defined values

No parameter

14.11 Save configuration &W

14.11.1 Description

This commands writes the active configuration to a non-volatile memory (EEPROM). Description of the stored parameters is given in appendix Parameters storage (§19.10)

14.11.2 Syntax

Command syntax: AT&W

Command	Possible responses
AT&W <i>Note: Writes current configuration to EEPROM</i>	OK <i>Note: Command valid</i>

14.11.3 Defined values

No parameter

AT Commands Interface Guide for 6.57 Release

14.12 Auto-tests &T

14.12.1 Description

This command allows to trigger various auto-tests.

14.12.2 Syntax

Command syntax: AT&T<n>

Command	Possible responses
AT&T0 <i>Note: Perform software auto-tests</i>	OK <i>Note: No software problem detected, all checksums are correct</i>
AT&T1 <i>Note: Do the audio loop test (close)</i>	OK <i>Note: Command valid</i>
AT&T2 <i>Note: Stop the audio loop test (open)</i>	OK <i>Note: Command valid</i>

14.12.3 Defined values

<n>

0: Perform software auto-tests

The response will be OK if no software problem is detected (EEPROM, RAM and ROM checksums), otherwise a simple ERROR response is sent.

1: Do the audio loop test (close)

This is used to validate the audio loop (microphone to speaker).

2: Stop the audio loop test (open)

This is used to validate the audio loop (microphone to speaker).

AT Commands Interface Guide for 6.57 Release

14.13 Echo E

14.13.1 Description

This command is used to determine whether the modem echoes characters received by an external application (DTE) or not.

14.13.2 Syntax

Command syntax: ATE<n>

Command	Possible responses
ATE0 <i>Note: Characters are not echoed</i>	OK <i>Note: Done</i>
ATE1 <i>Note: Characters are echoed</i>	OK <i>Note: Done</i>

14.13.3 Defined values

<n>

0: Characters are not echoed

1: Characters are echoed

AT Commands Interface Guide for 6.57 Release

14.14 Restore factory settings &F

14.14.1 Description

This command is used to restore the factory settings from EEPROM.

It only restores the parameters that can be found in paragraph 19 Codes and values (Parameters Storage paragraph) with AT&F column checked. Those parameters are restored in RAM and in E2P, overwriting the profile set with AT&W.

14.14.2 Syntax

Command syntax: AT&F[<n>]

Command	Possible responses
AT&F <i>Note: Ask for restoring the factory settings</i>	OK <i>Note: Done</i>
AT&F0 <i>Note: idem</i>	OK <i>Note: Done</i>

14.14.3 Defined values

<n>

0: restore factory setting

No other value supported

14.15 Display configuration &V

14.15.1 Description

This command is used to display the modem configuration.

14.15.2 Syntax

Command syntax: AT&V<n>

The parameters displayed are the following:

Q:val1, V:val2, S0:val3, S2:val4, S3:val5, S4:val6, S5:val7,
+CR:val8, +CRC:val9, +CMEE:val10, +CBST:val11,
+SPEAKER:val12, +ECHO:val13, &C:val14, &D:val15, %C:val16
+IPR:val17, +ICF:val18, +IFC:val19

AT Commands Interface Guide for 6.57 Release

Command	Possible responses
AT&V <i>Note: Display active parameters in RAM</i>	Q:0 V:1 S0:000 S2:043 S3:013 S4:010 S5:008 +CR:0 +CRC:0 +CMEE:0 +CBST:0,0,1 +SPEAKER:0 +ECHO:0,0 &C:1 &D:2 %C:0 +IPR:9600 +ICF:3,4 +IFC:2,2 OK <i>Note: Done</i> <i>For Echo the first value corresponds to Echo cancellation 1.</i>

14.15.3 Defined values

<n>

- 0 Display the modem configuration in RAM. (default value if no parameter provided)
- 1 Display the modem configuration in EEPROM.
- 2 Display the modem factory configuration.

AT Commands Interface Guide for 6.57 Release

14.16 Request identification information I

14.16.1 Description

This command causes the product to transmit one or more lines of specific information text.

14.16.2 Syntax

Command syntax: ATI<n>

Command	Possible responses
ATI0 <i>Note: Manufacturer and model identifications</i>	WAVECOM MODEM 900P OK <i>Note: GSM 900 MHz primary band</i>
ATI3 <i>Note: Revision identification</i>	657_09gg.Q2406B 2015268 100506 17:01 OK <i>Note: Software release 6.57, generated on the 5th of October 2006</i>
ATI6 <i>Note: Modem data features</i>	DATA RATES: AUTOBAUD,300,1200,1200/75,2400,4800,9600,14400 DATA MODES: T/NT,ASYNCHRONOUS FAX CLASS 1,2 OK <i>Note: Done</i>
ATI7 <i>Note: Modem voice features</i>	SPEECH CODINGS: FR,EFR,HR,AMR OK <i>Note: Done</i>

AT Commands Interface Guide for 6.57 Release

14.16.3 Defined values

<n>

- 0 Display manufacturer followed by model identification. (equivalent to +CGMI and +CGMM, refer to these commands for more precisions).
- 3 Display revision identification (equivalent to +CGMR).
- 4 Display modem configuration in RAM (equivalent to &V0).
- 5 Display modem configuration in EEPROM (equivalent to &V1).
- 6 Display modem data features. Lists the supported data rates, data modes, and fax classes.
- 7 Display modem voice features.

Other values "OK" string is sent back.

14.17 Data / Commands Multiplexing +WMUX

14.17.1 Description

This **specific** command allows to manage the data / AT commands multiplexing mode. See appendix 19.13 for the Data / Commands multiplexing protocol description.

14.17.2 Syntax

Command syntax AT+WMUX=<mode>

Command	Possible responses
AT+WMUX=?	+WMUX: (0-1) OK
AT+WMUX?	+WMUX: 0 OK <i>Note: Data / Commands multiplexing disabled.</i>
AT+WMUX=1 <i>Note: Enable Data / Commands multiplexing.</i>	OK

AT Commands Interface Guide for 6.57 Release

14.17.3 Defined values

<mode>

0: Multiplexing disabled. When the product is online (data communication in progress), no AT command can be used (default).

1: Multiplexing enabled. Data flows and AT commands are multiplexed while in online mode (data communication in progress).

Note:

The Multiplexing mode is available to only one UART. If this mode is available on UART1 and the AT+WMUX=1 command is sent through UART2, the multiplexing mode will be available on UART2 and disabled on UART1.

AT Commands Interface Guide for 6.57 Release

15 Specific AT commands

15.1 Cell environment description +CCED

15.1.1 Description

This command can be used by the application to retrieve the parameters of the main cell and of up to six neighboring cells.

There are two possible methods for the external application to ascertain these cell parameters:

- on request by the application or
- automatically by the product every 5 seconds.

Automatic mode is not supported during registration.

15.1.2 Syntax

Command syntax: AT+CCED=<mode>[, <requested dump>]

Command	Possible responses
AT+CCED=0 <i>Note: last request was AT+CCED=0,3 (main cell and neighbors 1 to 6): you can see MCC,MNC sequences (here 208,20)</i>	+CCED:208,20,0002,0418,37,706,24,,,0,,,0,208,20,0006,989b,37,835,20,208,20,0002,02a9,37,831,12,208,20,0101,7966,34,818,13,208,20,0006,9899,39,713,9,208,20,0002,0a72,33,711,12,208,20,0101,03fb,36,824,10,1 OK
AT+CCED=0,1 <i>Note: Only Main cell request</i>	+CCED:208,20,0002,0418,37,706,25,,,0,,,0 OK
AT+CCED=0,1 <i>Note: Call in progress: RXLev and RXQual are empty, RxLevFull, RxLevSub, RxQualFull and RxQualSub have data.</i>	+CCED:208,10,189C,,19,85,,31,32,,0,0, OK
AT+CCED=1,8,1	OK +CSQ: 12,99 +CSQ: 13,99

AT Commands Interface Guide for 6.57 Release

Command	Possible responses
AT+CCED=0,16	+CCED: 208,20,0006,0418,54,789,,,,,255,,,0,208,20,0 006,,57,1018,20,208,01,7500,6497,17,55,17, 208,10,54c4,f0ed,31,700,9,208,20,0006,7d9a ,50,1023,8,208,20,0002,9a29,48,1015,7,1,1, 1,2,1,2 OK <i>Note: 1,1,1,2,1,2 correspond to the Main Cell Timing Advance and 5 Neighbours Timing Advance</i>
AT+CCED=0,16	+CCED: 208,20,0006,0418,54,789,,19,19,,0,0,,,,,41,8 01,6,,,,,57,1018,20,,,,,48,1015,10,,,,,57,1006, 4,,,,,50,1023,7,,,,,57,814,3,1,,,,, OK <i>Note: Neighbours Timing Advance are not available in dedicated mode</i>
AT+CCED=1,16	+CME ERROR: 3

15.1.3 Defined values

<mode>

- 0: One shot requested
- 1: Automatic shots requested
- 2: Stop automatic shots

<requested dump>

1: Main Cell:

- if the Cell Identity is available

MCC, MNC, LAC, CI, BSIC, BCCH Freq (absolute), RxLev, RxLev Full, RxLev Sub, RxQual, RxQual Full, RxQual Sub, Idle TS

- if the Cell Identity is not available

MCC, MNC, LAC,, BSIC, BCCH Freq (absolute), RxLev, RxLev Full, RxLev Sub, RxQual, RxQual Full, RxQual Sub, Idle TS

2: Neighbour1 to Neighbour6:

AT Commands Interface Guide for 6.57 Release

- if the Cell Identity is available
MCC, MNC, LAC, CI, BSIC, BCCH Freq (absolute), RxLev
- if the Cell Identity is not available
MCC, MNC, LAC,, BSIC, BCCH Freq (absolute), RxLev

4: Main Cell Timing Advance

8: Main cell RSSI indications (RxLev), in a range from 0 to 31

16: <requested dump>=1 + <requested dump>=2 + <requested dump>=4 + Neighbour1 to Neighbour6 Timing Advance (only available for mode= 0)
Neighbour1 to Neighbour6 Timing Advance are only available in "idle" mode.

<CsqStep>: indicates the step required for the RSSI indications between 2 +CSQ unsolicited response. The range of this step is [1,5]. Default value: 1. If this field is not indicated, the previous value is taken into account.

Notes:

- The response for the <requested dump>= 1, 2 and 4 will be:

+CCED:<value1>, ... , <valuen>

OK

where **<value>** is the ASCII string of the values (in decimal form except the LAC and CI values which are in hexadecimal form) of the parameters. If a field cannot be measured – or is meaningless – the parameter is not filled in, and two consecutive commas are sent.

- The response for the requested dump 8 will be a +CSQ response and not a +CCED response. The 07.07 format for +CSQ is respected. The <ber> is not evaluated by this command, so the <ber> value will always be 99.

+CSQ:<rsssi>, 99

OK

When automatic shots are selected, this +CSQ response is sent every time the <rsssi> measured by the product is equal or greater than the value <CsqStep>. So, the <rsssi> level between 2 successive +CSQ response is equal or greater than <CsqStep>. Automatic shots are supported in idle mode and during communication. The activation or deactivation of this flow (8) does not affect the other flows.

AT Commands Interface Guide for 6.57 Release

- Combination of the requested dump is supported (addition of the values 1, 2, 4 and 8):

Value	Requested dump	Value	Requested dump
1	+CCED response: Main Cell only	9	+CSQ response, then +CCED response with Main Cell only
2	+CCED response: Neighbors 1 to 6	10	+CSQ response, then +CCED response with Neighbors 1 to 6
3	+CCED response: Main Cell, then Neighbors 1 to 6	11	+CSQ response, then +CCED response with Main Cell, then Neighbors 1 to 6
4	+CCED response: Timing Advance only	12	+CSQ response, then +CCED response with Timing Advance only
5	+CCED response: Main Cell, then Timing Advance	13	+CSQ response, then +CCED response with Main Cell, then Timing Advance
6	+CCED response: Neighbors 1 to 6, then Timing Advance	14	+CSQ response, then +CCED response with Neighbors 1 to 6, then Timing Advance
7	+CCED response: Main Cell, then Neighbors 1 to 6, then Timing Advance	15	+CSQ response, then +CCED response: Main Cell, then Neighbors 1 to 6, then Timing Advance
8	+CSQ response: Main Cell RSSI indications	16	+CCED response: Main Cell, then Neighbors 1 to 6, then Main Cell Timing Advance, then Neighbour1 to Neighbour6 Timing Advance
		No value	Last value used for a CCED request, or 15

- If **<requested dump>** parameter is not provided, the one of the last +CCED command will be used, or 15 (default value).
- Values of MCC/MNC are set to 0 in the case of "No service".

AT Commands Interface Guide for 6.57 Release

15.2 General Indications +WIND

15.2.1 Description

Wavecom has introduced a general mechanism to send unsolicited non-standardized indications to the application. These indications are:

- indication of a physical change on the SIM detect pin from the connector (meaning SIM inserted, SIM removed)
- indication during mobile originated call setup that the calling party is ringing.
- Indication of the availability of the product to receive AT commands after boot.
- NITZ indication (Network Information and Time Zone).

For each indication, a "bit flow" has to be indicated.

15.2.2 Syntax:

Command syntax: AT+WIND= <IndLevel >

Command	Possible responses
AT+WIND?	+WIND: 0 OK
AT+WIND=255	OK
<i>Note: The SIM has been removed</i>	+WIND: 0 <i>Note: The SIM presence pin has been detected as "SIM removed"</i>
<i>Note: The SIM has been inserted</i>	+WIND: 1 <i>Note: The SIM presence pin has been detected as "SIM inserted"</i>
<i>Note: The network service is available for an emergency call</i>	+WIND: 7
<i>Note: The initialization has been completed</i>	+WIND: 4
<i>Note: The modem received a NITZ information message</i>	+WIND: 15,1,"Cingular Extend",2,"Cingular",3,"+08",4,"03/14/27",1 6:59:48+08",5,"123456",6,"2"

The AT+WIND? command is supported and indicates the <allowed bit flows>. AT+WIND settings are automatically stored in non volatile memory (EEPROM). This

AT Commands Interface Guide for 6.57 Release

means the &W command does not need to be used and the selected flows are always activated after boot.

Default value is 0: no flow activated, no indication.

AT+WIND=? gives the possible value range (0-4095)

The unsolicited response will then be:

+WIND: <event> [,<idx>]

<idx>: Call identifier, defined in +CLCC command.

Or for event 10:

+WIND: <event>,<phonebook>,<status>,...,<phonebook>,<status>

Or for event 11:

+WIND: <event>,["<checksum of SM>"],["<checksum of FD>"],["<checksum of ON>"],["<checksum of SN>"],["<checksum of EN>"],["<checksum of LD>"]

Or for event 15 (NITZ indication):

+WIND: <event>[,1,"<Full name>"][,2,"<Short name>"][,3,"<Local time zone>"][,4,"<Universal time and local time zone>"][,5,"<LSA Identity>"][,6,"<Daylight Saving time>"]

AT Commands Interface Guide for 6.57 Release

15.2.3 Defined values

<IndLevel>

0	no unsolicited "+WIND: <IndNb>" will occur (default value)
1 (bit 0)	Hardware SIM Insert / Remove indications or SIM presence after software reset
2 (bit 1)	Calling party alert indication
4 (bit 2)	Product is ready to process AT commands (except phonebooks, AOC, SMS), but still in emergency mode.
8 (bit 3)	the product is ready to process all AT commands, at the end of init or after swapping to ADN in case of FDN configuration
16 (bit 4)	a new call identifier has been created (after an ATD command, +CCWA indication)
32 (bit 5)	an active, held or waiting call has been released by network or other party
64 (bit 6)	Network service available indication
128 (bit 7)	Network lost indication
256 (bit 8)	Audio ON indication
512 (bit 9)	SIM Phonebooks reload status
1024 (bit 10)	SIM phonebooks checksum indication
2048 (bit 11)	Interruption indication (only if FTR_INT is activated)
4096 (bit12)	Hardware Rack Open/Closed Indication
8192 (bit13)	NITZ indication
16384(bit 14)	SMS service ready Indication

Combination (addition of the values) is used to allow more than one indication flow :
 $0 \leq \text{IndLevel} \leq 32767$

- To activate a specific WIND indication, <IndLevel> must have value described in table 1 .

AT+WIND=16384 only activates SMS Service indication.

- To active several WIND indications, <IndLevel> must have value just before the last indication required.

AT+WIND=32767 all unsolicited indications.

AT Commands Interface Guide for 6.57 Release

The supported events are:

<event>

Event	Meaning
0	The SIM presence pin has been detected as "SIM removed"
1	The SIM presence pin has been detected as "SIM inserted"
2	Calling party is alerting
3	Product is ready to process AT commands (except phonebooks, AOC, SMS), at init or after AT+CFUN=1
4	Product is ready to process all AT commands, end of phonebook init or swap (FDN to ADN)
5	Call <idx> has been created (after ATD or +CCWA...)
6	Call <idx> has been released, after a NO CARRIER, a +CSSU: 5 indication, or after the release of a call waiting
7	The network service is available for an emergency call.
8	The network is lost.
9	Audio ON.
10	Show reload status of each SIM phonebook after init phase (after Power-ON or SIM insertion).
11	Show the checksum of SIM phonebooks after loading
12	An interruption has occurred
13	The rack has been detected as Closed.
14	The rack has been detected as Opened.
15	The modem received a NITZ information message from the network.
16	SMS and SMS CB services are ready

AT Commands Interface Guide for 6.57 Release

- for event 10:
 - <phonebook>: SIM phonebook
 - "SM"
 - "FD"
 - "ON"
 - "SN"
 - "EN"
 - <status>:
 - 0: Not Reloaded from SIM (no change since last init or SIM removal)
 - 1: Reloaded from SIM to internal memory (at least one entry has changed)
- for event 11:
 - <checksum>: 128-bit "fingerprint" of the phonebook.
 - Note: If the service of the phonebook is not loaded or not present, the checksum is not displayed and two comas without checksum are displayed (,,).
- for event 15:
 - <Full name>: String, updated long name for current network
 - <Short name>: String, updated short name for current network
 - <Local time zone>: Signed integer, The Time Zone indicates the difference, expressed in quarters of an hour, between the local time and GMT.
 - <Local time zone>: String, Universal Time and Time Zone, in format "yy/MM/dd, hh:mm:ss±zz" (Year/Month/Day, Hour:Min:Seconds±TimeZone).
 - The Time Zone indicates the difference, expressed in quarters of an hour, between the local time and GMT.
 - <LSA Identity>: Hexa String, LSA identity of the current cell in hexa format (3 bytes)
 - <Daylight Saving Time>: Integer (0-2), When the LTZ is compensated for DST (Day Saving time, or summertime), the serving PLMN shall provide a DST parameter to indicate it. The adjustment for DST can be +1h or +2h.

AT Commands Interface Guide for 6.57 Release

Note: For NITZ indication, all the fields indicated here are optional. That is why there is an index related to each information:

- 1: Full name for network
- 2: Short name for network
- 3: Local time zone
- 4: Universal time and local time zone
- 5: LSA Identity
- 6: Network Daylight Saving Time

Refer to 3GPP TS 24.008, 3GPP TS 23.040, 3GPP TS 22.042 for more information.

AT Commands Interface Guide for 6.57 Release

15.3 Analog digital converters measurements +ADC

15.3.1 Description

This command gets the (DC level * 1024) of ADC A, ADC B, and possibly ADC C and ADC D. These voltages are coded on 10 bits.

15.3.2 Syntax

Command syntax: AT+ADC=<n>

Response syntax: +ADC: <ADCValA>,<ADCValB>[,<ADCValC>][,<ADCValD>]

Command	Possible responses
AT+ADC=? <i>Note: Ask for the list of possible values</i>	+ADC: (0-1) <i>Note: possible values 0 or 1</i>
AT+ADC=0 <i>Note: Select 2 converters (mode 0)</i>	OK <i>Note: 2 converters mode selected</i>
AT+ADC? <i>Note: Ask for the current values of converters in mode 0</i>	+ADC: 500,412 OK <i>Note: Adc A, Adc B on 10 bits</i>
AT+ADC=1 <i>Note: Select extended mode (mode 1)</i>	OK <i>Note: Extended mode selected</i>
AT+ADC? <i>Note: Ask for the current values of converters in mode 1 for Q24XX , Q24 Classic, Q24 Auto, Q24 Extended, Q24 Plus</i>	+ADC: 712,698,997 OK <i>Note: Adc A, Adc B, Adc C on 10 bits</i>
AT+ADC? <i>Note: Ask for the current values of converters in mode 1 for Q2501</i>	+ADC: 712,698,997,1225 OK <i>Note: Adc A, Adc B, Adc C, Adc D on 10 bits</i>

AT Commands Interface Guide for 6.57 Release

15.3.3 Defined values

<n>

0: Select 2 converters

1: Select extended mode

<ADCValA>

ADC A value, coded on 10 bits. The value returned includes the resistor bridge..
Displayed on modes 0 and 1.

<ADCValB>

ADC B value, coded on 10 bits. Displayed on modes 0 and 1.

<ADCValC>

ADC C value, coded on 10 bits. Displayed only on mode 1.

<ADCValD>

ADC D value, coded on 10 bits. Displayed only on mode 1.

Please refer to description paragraph above for interpretation of the returned values during start-up phase.

Here is the correspondence table between Wireless CPU and parameters values description:

ADC	Q24XX	Q24 CLASSIC, Q24 AUTO, Q24 EXTENDED, Q24 PLUS	Q2501
ADCValA	BAT_VOLT	BAT_VOLT	BAT_VOLT
ADCValB	BAT_TEMP	BAT_TEMP	ADC_AUX
ADCValC	ADC_AUX	ADC_AUX	ANTENNA_VOLT
ADCValD			PA_TEMP

<BAT_VOLT>: Battery voltage

<BAT_TEMP>: Battery temperature

<ADC_AUX>: Pin for customer usage (AUXV0 pin)

<ANTENNA_VOLT>: GPS antenna voltage

<PA_TEMP>: PA temperature (Power Amplifier)

AT Commands Interface Guide for 6.57 Release

15.4 Mobile Equipment event reporting +CMER

15.4.1 Description

This command enables or disables sending of unsolicited result codes in the case of a key press.

15.4.2 Syntax

Command Syntax: AT+CMER=<mode>,<keyp>,<disp>,<ind>,<bfr>

Response syntax (key press event report): +CKEV: <key>, <press>

Response syntax (indicator event report): +CIEV: <indresp>,<value>.

Command	Possible responses
AT+CMER=,1 <i>Note: Ask key press event report</i>	OK
	+CKEV:12,1 +CKEV:12,0 <i>Note: Key 12 has been pressed and released.</i>
AT+CMER?	+CMER: 3,1,0,0,0 OK

AT Commands Interface Guide for 6.57 Release

15.4.3 Defined values

Important note: The parameters <mode>, <disp> and <bfr> are not handled.

<keyp> (keypad):

0: No keypad event reporting.

1: Keypad event reporting are routed using unsolicited code. Only the key pressings not caused by +CKPD are indicated.

2: Keypad event reporting are routed using unsolicited code. All key pressings are indicated.

Note: As AT software does not manage the emulation of key press, the values 1 and 2 lead to the same results.

<ind>

0: no indicator event reporting

1: indicator event reporting using unsolicited result code. Only the indicator events not caused by +CIND shall be indicated by the TA to the TE

2: indicator event reporting using unsolicited result code. All indicator events shall be directed from TA to TE

<key>: Keyboard map is (5,5)

0	1	2	3	4
5	6	7	8	9
10	11	12	13	14
15	16	17	18	19
20	21	22	23	24

<press>

1: key press

0: key release

<indresp>: indicator order number (as specified for +CIND)

<value>: new value of the indicator

AT Commands Interface Guide for 6.57 Release

15.5 Read Language Preference +WLPR

15.5.1 Description

Read a Language Preference value of EF-LP. The first indices should have the highest priority.

15.5.2 Syntax

Command syntax: AT+WLPR= <index >

Response syntax: +WLPR: <value>

Command	Possible responses
AT+WLPR? <i>Note: Read command</i>	+WLPR: 4 OK <i>Note: Four language preferences are available in EF-LP</i>
AT+WLPR=1 <i>Note: Read first EF-LP index value</i>	+WLPR: 5 OK <i>Note: Language preference is 5</i>

15.5.3 Defined values

<index>: offset in the available languages range (SIM dependant).

<value>: Example of values for language: (see Recommendation 3GPP TS 23.038)

<value>	Language
0	German
1	English
2	Italian
3	French
4	Spanish
5	Dutch
6	Swedish
7	Danish
8	Portuguese
9	Finnish
10	Norwegian

AT Commands Interface Guide for 6.57 Release

<value>	Language
11	Greek
12	Turkish
13	Hungarian
14	Polish
32	Czech
33	Hebrew
34	Arabic
35	Russian
36	Icelandic

15.6 Write Language Preference +WLPW

15.6.1 Description

Write a Language Preference value in EF-LP

15.6.2 Syntax

Command syntax: AT+WLPW=<index >,<value>

Response syntax: OK or +CME ERROR: <err>

Command	Possible responses
AT+WLPW=1,5 <i>Note: Write Lang Pref equal to 5 in EF-LP with index 1</i>	OK <i>Note: EF-LP correctly updated</i>

15.6.3 Defined values

<index>: offset in the available languages range (SIM dependant).

<value>: See <value> examples in § 15.5.3.

AT Commands Interface Guide for 6.57 Release

15.7 Read GPIO value +WIOR

15.7.1 Description

Read the requested GPI or GPIO pin value.

Notes:

- By default (e.g. after a reset), the I/O ports configuration is set by the +WIOM command.
- This command is allowed only on a GPIO not allocated by an Open-AT® embedded application or for bus operations.
- When the BT chip is switched on, the GPIO5 is not available anymore.

15.7.2 Syntax

Command syntax: AT+WIOR=<index>

Response syntax: +WIOR: <value>

Command	Possible responses
AT+WIOR=0 <i>Note: Read I/O (number 0) value</i>	+WIOR: 0 OK <i>Note: GPIO number 0 is reset</i>

15.7.3 Defined values

<index>

Up to ten I/O ports are available. The <index> value is between 0 and 9.

<value>

- 0: I/O port number <index> is reset.
- 1: I/O port number <index> is set.

AT Commands Interface Guide for 6.57 Release

15.8 Write GPIO value +WIOW

15.8.1 Description

Set the requested GPO or GPIO pin value.

Note:

- By default (after a reset), the I/O ports configuration is set by the +WIOM command.
- This command is allowed only on a GPIO not allocated by the Open-AT embedded application or for bus operations.
- When the BT chip is switched on, the GPIO5 is not available anymore. It is not possible to change the state of the GPIO using this command.

15.8.2 Syntax

Command syntax: AT+WIOW=<index >,<value>

Command	Possible responses
AT+WIOW=2,0 Note: Reset I/O (number 2)	OK <i>Note: GPIO value is written</i>

15.8.3 Defined values

<index>

Up to ten I/O ports are available. The <index> value is between 0 and 9.

<value>

- 0: I/O port number <index> is reset.
- 1: I/O port number <index> is set.

AT Commands Interface Guide for 6.57 Release

15.9 Input/Output Management +WIOM

15.9.1 Description

This **specific** command allows to set the default GPIOs configuration (input or output) after reset, and each GPIO default value (if set as an output) after reset.

Notes:

- This command is allowed only on a GPIO not allocated by the Open-AT embedded application or for bus operations.
- When UART 2 is activated, GPIOs 0 and 5, GPO2 and GPI are not available anymore. When you try to do writable or readable operations on these I/O +CME ERROR: 3 will be returned. This applies for Wireless CPUs running AT X50 software and supporting multi-UART feature.
- When the BT chip is switched on, the GPIO5 is not available anymore. It is not possible to change the state of the GPIO using this command.

15.9.2 Syntax

Command Syntax AT+WIOM=[<GpioDir>],[<GpioVal>]

Command	Possible responses
AT+WIOM?	+WIOM: 2047,0 OK <i>Note: On reset, all GPIOs are set to 0, as an output.</i>
AT+WIOM=?	+WIOM: (0-2047),(0-2047) OK <i>Note: Range allowed for the parameters.</i>
AT+WIOM=254 <i>Note: Set GPIO 0 as an input, and all other GPIOs as outputs (not relevant for Q31x6 product).</i>	OK
AT+WIOM=,128 <i>Note: Set GPO 3 (on Q24X6, Q24 Classic, Q24 Auto, Q24 Plus, Q24 Extended product) default output value to 1.</i>	OK

AT Commands Interface Guide for 6.57 Release

Command	Possible responses
AT+WIOM=,128 <i>Note: Set GPIO 8 (on P32X6 product) or GPIO12 (on P51x6 product) or GPIO7 (on Q31x6 product) default output value to 1..</i>	OK
AT+WIOM?	+WIOM: 254,128 OK

15.9.3 Defined values

<GpioDir>: Bit table parameter indicating each GPIO direction.

0: input

1: output.

Default value:

- 2047 (all GPIOs set as outputs) for Q2xxx, Q24 Classic, Q24 Auto, Q24 Extended, Q24 Plus and P3xxx Wireless CPUs.
- 0 (all GPIOs set as inputs) for Q31 and P51 Wireless CPUs.

<GpioVal>: Bit table parameter indicating each output-configured GPIO value (each bit gives the corresponding GPIO default value).

0: reset (default value)

1: set

Remark: the GPIOs set as inputs by the <GpioDir> parameter are not affected by the value set by the <GpioVal> parameter.

Notes:

- <GpioDir> bit values for GPI and GPO are ignored.
- <GpioVal> bit values for GPI are ignored.
- GPO0 is used for the SIM level shifter, for Q24x6, Q24 Classic, Q24 Auto, Q24 Extended, Q24 Plus product, if SIM3VONLY feature is not active. If **SIM5VONLY, SIM3AND5V, SIM1V8ONLY or SIM1V8AND3V features are active, it must not be modified by AT commands.** Its default value depends on SIM feature (see AT+WFM command):

AT Commands Interface Guide for 6.57 Release

	SIM5VONLY or SIM3AND5V feature	SIM1V8ONLY or SIM1V8AND3V feature	SIM3VONLY feature
Use of SIM 1V8 card	N/A	default value = 1	N/A
Use of SIM 3V card	default value = 0	default value = 0	GPO0 Not Used
Use of SIM 5V card	default value = 1	N/A	N/A

A "+CME ERROR: 3" message is returned to AT+WIOM command on GPOx, except when SIM3VONLY feature is active.

- GPO1 is used for the SIM level shifter, for Q2501 product. **If SIM5VONLY, SIM3AND5V, SIM1V8ONLY or SIM1V8AND3V features are active, it must not be modified by AT commands.** Its default value depends on SIM feature (see AT+WFM command):

	SIM5VONLY or SIM3AND5V feature	SIM1V8ONLY or SIM1V8AND3V feature	SIM3VONLY feature
Use of SIM 1V8 card	N/A	default value = 1	N/A
Use of SIM 3V card	default value = 0	default value = 0	GPO0 Not Used
Use of SIM 5V card	default value = 1	N/A	N/A

A "+CME ERROR: 3" message is returned to AT+WIOM command on GPOx.

- GPIO3 is used for the Battery Charge on Q2501 product. **This feature is enabled or disabled using +WHCNF command. By default, the Battery Charge on Q2501B Wireless CPU is disabled.**

	Battery Charge on Q2501B Wireless CPU	GPIO3 state
AT+WHCNF=3,0	Disabled	Opened to the customer
AT+WHCNF=3,1	Enabled	Not opened to the customer

AT Commands Interface Guide for 6.57 Release

- Below is the corresponding table between Wireless CPU GPIO Pin Names and parameters values (<index>) for AT commands:

Parameter value for AT Commands	Wireless CPUQuik Q2xx3 Pin Names	Wireless CPU Pac P3xx3 Pin Names	Wireless CPU Q24X6 Pin Names	Wireless CPU Pac P32X6 Pin Names	Wireless CPU Pac P51x6 Pin Names	Wireless CPU Quik Q31x6 Pin Names	Wireless CPU Quik Q25xx Pin Names
0	GPIO 0	GPIO 0	GPIO 0	GPIO 0	GPIO 0	GPI	GPI
1	GPO 1	GPI	GPO 1	GPI	GPIO 4	GPO 1	GPO 0
2	GPO 2	GPIO 2	GPO 2	GPIO 2	GPIO 5	GPO 2	GPO 1
3	GPI	GPIO 3	GPI	GPIO 3	GPIO 8	GPIO 3	GPO 2
4	GPIO 4	GPIO 4	GPIO 4	GPIO 4	GPIO 9	GPIO 4	GPO 3
5	GPIO 5	GPIO 5	GPIO 5	GPIO 5	GPIO 10	GPIO 5	GPIO 0
6	(no GPIO affected)	(no GPIO affected)	GPO 0	GPO 0	GPIO 11	GPIO 6	GPIO 1
7	(no GPIO affected)	(no GPIO affected)	GPO 3	GPIO 8	GPIO 12	GPIO 7	GPIO 2
8	(no GPIO affected)	(no GPIO affected)	(no GPIO affected)	(no GPIO affected)	GPO 0	(no GPIO affected)	Depending of Battery Charge
9	(no GPIO affected)	(no GPIO affected)	(no GPIO affected)	(no GPIO affected)	GPO 1	(no GPIO affected)	GPIO 4
10	(no GPIO affected)	(no GPIO affected)	(no GPIO affected)	(no GPIO affected)	(no GPIO affected)	(no GPIO affected)	GPIO 5

AT Commands Interface Guide for 6.57 Release

Parameter value for AT Commands	Wireless CPU Q24 Extended Pin Names	Wireless CPU Q24 Plus Pin Names	Wireless CPU Q24 Classic Pin Names	Wireless CPU Q24 Auto Pin Names
0	GPIO 0	GPIO 0	GPIO 0	GPIO 0
1	GPO 1	GPO 1	GPO 1	GPO 1
2	GPO 2	GPO 2	GPO 2	GPO 2
3	GPI	GPI	GPI	GPI
4	GPIO 4	GPIO 4	GPIO 4	GPIO 4
5	GPIO 5	GPIO 5	GPIO 5	GPIO 5
6	GPO 0	GPO 0	GPO 0	GPO 0
7	GPO 3	GPO 3	GPO 3	GPO 3
8	(no GPIO affected)	(no GPIO affected)	(no GPIO affected)	(no GPIO affected)
9	(no GPIO affected)	(no GPIO affected)	(no GPIO affected)	(no GPIO affected)
10	(no GPIO affected)	(no GPIO affected)	(no GPIO affected)	(no GPIO affected)

AT Commands Interface Guide for 6.57 Release

15.10 Abort command +WAC

15.10.1 Description

This **specific** command allows SMS, SS and PLMN selection related commands to be aborted.

15.10.2 Syntax

Command syntax: AT+WAC

Command Syntax	Return
AT+WAC	
AT+WAC=?	OK
AT+WAC?	OK

Example:

Command	Possible responses
AT+COPS=? <i>Note: Available PLMN</i>	
AT+WAC <i>Note: Abort the request of PLMN list</i>	OK <i>Note: PLMN list request aborted</i>

Example:

Command	Possible responses
AT+CCFC=0,2 <i>Note: Interrogation of status of Call Forwarding service.</i>	
AT+WAC <i>Note: Abort the request of Interrogation of Call Forwarding service</i>	CME ERROR: 551 <i>Note: Interrogation of Call Forwarding service request abortion failure</i>

15.10.3 Defined values

No parameter

AT Commands Interface Guide for 6.57 Release

15.11 Play tone +WTONE

15.11.1 Description

This **specific** command allows a tone to be played on the current speaker or on the buzzer. Frequency, gain and duration can be specified.

Syntax

Command syntax:

AT+WTONE=<mode>[,<dest>,<freq>[,<gain>[,<duration>[,<freq2>[,<gain2>]]]]]

Response syntax: OK or +CME ERROR: <err>

Command	Possible responses
AT+WTONE=1,1,300,9,50 <i>Note: Play a tone</i>	OK <i>Note: Done</i>
AT+WTONE=0 <i>Note: Stop playing</i>	OK <i>Note: Done</i>
AT+WTONE=? <i>Note: Test command</i>	OK <i>Note: Done</i>
AT+WTONE? <i>Note: Current value</i>	ERROR <i>Note:</i>
AT+WTONE=1,1,300,9,50,600,9 <i>Note: Play a tone with 2 frequencies (only allowed with the speaker)</i>	OK <i>Note: Done</i>
AT+WTONE=1,2,300,9,50,600,9 <i>Note: Play a tone with 2 frequencies with the buzzer</i>	+CME ERROR: 3 <i>Note: Dual frequency only for the speaker</i>

15.11.2 Defined values

<mode>

0: Stop playing.

1: Play a tone

<dest>: This parameter sets the destination (mandatory if <mode>=1)

1: Speaker

2: Buzzer

<freq>: This parameter sets tone frequency (in Hz) (mandatory if <mode>=1).

AT Commands Interface Guide for 6.57 Release

<freq2>: This parameter sets the 2nd tone frequency (in Hz) (mandatory if **<mode>**=1)
(only available with the speaker)

If **<dest>** = 1 (speaker)

range is 300Hz to 3400 Hz for P51xx Wireless CPUs

range is 1 Hz to 3999 Hz for other Wireless CPUs.

If **<dest>** = 2 (buzzer), range is 1 Hz to 50000 Hz.

<gain>: This parameter sets the tone gain for the **<freq>**. The default value is 9.

<gain2>: This parameter sets the tone gain for the **<freq2>**. The default value is 9.

Range of values is 0 to 15.

<gain>	Speaker (db)	Buzzer (db)
0	0	-0.25
1	-0.5	-0.5
2	-1	-1
3	-1.5	-1.5
4	-2	-2
5	-3	-3
6	-6	-6
7	-9	-9
8	-12	-12
9	-15	-15
10	-18	-18
11	-24	-24
12	-30	-30
13	-36	-40
14	-42	-infinite
15	-infinite	-infinite

<duration>: This parameter sets tone duration (in unit of 100 ms).

Range of values is 0 to 50 (0 is default value, 1 -> 0,1 s., 50 -> 5 s.)

Remark: when **<duration>** = 0, the duration is infinite, and the tone should be stopped by AT+WTONE=0.

Note: The 2nd frequency **<freq2>** and the gain **<gain2>** are only allowed for the speaker.

AT Commands Interface Guide for 6.57 Release

Caution:

Hardware can only generate the following frequencies:

$$\text{Freq} = (13\ 000\ 000 / (N * 64))$$

N: integer value in the recommended range 1 to 2048.

With N=1, the frequency 203 125 Hz is generated.

With N=2048, the frequency 99.18 Hz is generated

Some noise problems have been detected if the frequency is below 100Hz.

The lowest frequency possible is 12Hz.

AT Commands Interface Guide for 6.57 Release

15.12 Play DTMF tone +WDTMF

15.12.1 Description

This **specific** command allows a DTMF tone to be played on the current speaker. DTMF, gain and duration can be specified.

Remark: This command is only used to play a DTMF tone. To send a DTMF over the GSM network, use the +VTS command.

15.12.2 Syntax

Command syntax: AT+WDTMF=<mode>[,<dtmf>,<gain>,<duration>]

Response syntax: OK or +CME ERROR: <err>

Command	Possible responses
AT+WDTMF=1,"*",9,50 <i>Note: Play a DTMF tone</i>	OK <i>Note: Done</i>
AT+WDTMF=0 <i>Note: Stop playing</i>	OK <i>Note: Done</i>
AT+WDTMF=? <i>Note: Test command</i>	+WDTMF: (0-1),(0-9,*,#,A,B,C,D),(0-15),(0-50) OK <i>Note: Done</i>
AT+WDTMF? <i>Note: Current value</i>	ERROR

15.12.3 Defined values

<mode>

0: Stop playing.

1: Play a DTMF tone

<dtmf>: This parameter sets the DTMF to play (mandatory if <mode>=1).

Value must be in {0-9,*,#,A,B,C,D}

<gain>: This parameter sets tone gain. The values are identical to those of the +WTONE (speaker) command. The default value is 9.

Range of values is 0 to 15 (see array on §15.14.3)

<duration>: This parameter sets the tone duration (in unit of 100 ms).

Range of values is 0 to 50 (0 is default value, 1 -> 0,1 s., 50 -> 5 s.)

AT Commands Interface Guide for 6.57 Release

Remark: When <duration> = 0, the duration is infinite, and the DTMF tone can be stopped by AT+WDTMF=0.

15.13 Wavecom Downloading +WDWL

15.13.1 Description

This **specific** command switches the product to download mode.

AT+WDWL command allows to launch the download process only on the UART1 port.

Downloading is performed using the 1K-XMODEM protocol.

Important note: Software damages may occur if power is lost or if an hardware reset occurs during the downloading phase. This would seriously affect modem behavior.

15.13.2 Syntax

Command syntax: AT+WDWL

Command	Possible responses
AT+WDWL <i>Note: Switch on downloading mode</i>	+WDWL: 0 <i>Note: Start the downloading</i>
	... <i>Note: Downloading in progress</i>
	AT+CFUN=1 <i>Note: Reset the product at the end</i>
	OK <i>Note: reset completed, new software running</i>
AT+WDWL?	+WDWL: V02.12 OK

15.13.3 Defined values

No parameter

AT Commands Interface Guide for 6.57 Release

15.14 Wavecom Voice Rate +WVR

15.14.1 Description

This **specific** command allows the voice rate for bearer voice to be configured for outgoing and ingoing calls.

Note: According to the Wireless CPU capabilities, the following voice coding types are allowed:

- Wireless CPU supporting AMR: FR, EFR, AMR-FR, AMR-HR are supported.
- Wireless CPU not supporting AMR: FR, EFR, HR are supported.

15.14.2 Syntax

Command syntax:

```
AT+WVR=<out_coding_type>[,<in_coding_type>]
AT+WVR=[<out_coding_type>],<in_coding_type>
AT+WDR?      +WDR: <out_coding_type>,<in_coding_type>
OK
```

Note: <out_coding_type> is related to outgoing calls, and <in_coding_type> to incoming calls.

Command	Possible responses
AT+WVR=1 <i>Note: Configure voice type FR and EFR for outgoing calls only</i>	OK <i>Note: Bearer is configured for outgoing calls</i>
AT+WVR=1,4 <i>Note: Configure voice type FR and EFR for outgoing calls and HR and EFR for incoming calls</i>	OK <i>Note: Bearer is configured for outgoing and incoming calls</i>
AT+WVR=,4 <i>Note: Configure voice type HR and EFR for incoming calls</i>	OK <i>Note: Bearer is unchanged for outgoing calls and configured for incoming calls</i>
AT+WVR=6 <i>Note: Syntax error</i>	+CME ERROR: 3 <i>Note: Syntax error</i>
AT+WVR? <i>Note: Ask for the current values</i>	+WVR: 1,1 OK

AT Commands Interface Guide for 6.57 Release

Command	Possible responses
AT+WVR=?	+WVR: (0,2,3),(0,2,3) <i>Note: If Half Rate available</i>
AT+WVR=?	+WVR: (0,1),(0,1) <i>Note: If EFR available</i>
AT+WVR=?	+WVR: (0),(0) <i>Note: If neither HR nor EFR available</i>
AT+WVR=?	+WVR: (0-5),(0-5) <i>Note: If HR and EFR available</i>
AT+WVR=?	+WVR: (0,2,3,10,11,12,13,14),(0,2,3,10,11,12,13,14) <i>Note: If Half Rate and AMR available</i>
AT+WVR=?	+WVR: (0,1,6,9,10,12,13),(0,1,6,9,10,12,13) <i>Note: If EFR and AMR available</i>
AT+WVR=?	+WVR: (0,10,12,13),(0,10,12,13) <i>Note: If AMR available</i>
AT+WVR=?	+WVR: (0-14),(0-14) <i>Note: If HR, EFR and AMR available</i>

AT Commands Interface Guide for 6.57 Release

15.14.3 Defined values

<n>: Voice coding type.

Voice coding type	Preferred type	Other supported types	Default values
0	FR		<i>default incoming voice calls rate</i>
1	EFR	FR	
2	HR	FR	
3	FR	HR	
4	HR	EFR	
5	EFR	HR	<i>default outgoing voice calls rate</i>
6	AMR-FR	EFR, AMR-HR	
7	AMR-FR	EFR, AMR-HR, HR	
8	AMR-HR	HR, AMR-FR, EFR	
9	AMR-HR	AMR-FR, EFR	
10	AMR-HR	AMR-FR, FR	
11	AMR-HR	HR, AMR-FR	
12	AMR-FR	AMR-HR	
13	AMR-FR	FR, AMR-HR	
14	AMR-FR	FR, AMR-HR, HR	

AT Commands Interface Guide for 6.57 Release

15.15 Wavecom Data Rate +WDR

15.15.1 Description

This **specific** command allows the data rate for bearer data to be configured for outgoing and incoming calls.

15.15.2 Syntax

Command syntax:

```
AT+WDR=<out_coding_type>[,<in_coding_type>]
AT+WDR=[<out_coding_type>],<in_coding_type>
AT+WDR?      +WDR: <out_coding_type>,<in_coding_type>
              OK
```

Note: <out_coding_type> is related to outgoing calls, and <in_coding_type> to incoming calls.

Command	Possible responses
AT+WDR=?	+WDR: (0-2),(0-1) OK <i>Note: If Half Rate available in both directions</i>
AT+WDR=?	+WDR: (0),(1) OK <i>Note: If Half Rate not available.</i>
AT+WDR=1 <i>Note: Configure data type FR, HR with HR preferred, for outgoing calls (<in_coding_type> parameter is omitted)</i>	OK <i>Note: Bearer is configured</i>
AT+WDR=,1 <i>Note: Configure data type FR for incoming calls (<out_coding_type> parameter is omitted)</i>	OK <i>Note: Bearer is configured</i>
AT+WDR=3 <i>Note: Illegal value</i>	+CME ERROR: 3 <i>Note: Syntax error</i>
AT+WDR? <i>Note: Ask for the current value</i>	+WDR: 1,1 OK

AT Commands Interface Guide for 6.57 Release

15.15.3 Defined values

<out_coding_type>: Data coding type for outgoing calls.

Data coding type	Preferred type	Other supported types	Default values
0	FR		<i>default outgoing voice calls rate</i>
1	HR	FR	
2	FR	HR	

<in_coding_type>: Data coding type for incoming calls.

Data coding type	Type	Default values
0	HR	
1	FR	<i>default incoming data calls rate</i>

AT Commands Interface Guide for 6.57 Release

15.16 Hardware Version +WHWV

15.16.1 Description

This **specific** command gets the hardware version.

15.16.2 Syntax

Command syntax: AT+WHWV

Command	Possible responses
AT+WHWV <i>Note: Request Hardware Version</i>	Hardware Version 4.14 OK <i>Note: Hardware version is 4.14</i>
AT+WHWV <i>Note: Request Hardware Version</i>	Hardware Version --- OK <i>Note: No hardware version available</i>
AT+WHWV=?	OK

15.16.3 Defined values

No parameter

AT Commands Interface Guide for 6.57 Release

15.17 Date of Production +WDOP

15.17.1 Description

This **specific** command gets the date of production. Format of the date is Week/Year (ww/yyyy).

15.17.2 Syntax

Command syntax: AT+WDOP

Command	Possible responses
AT+WDOP <i>Note: Request Date of Production</i>	Production Date (W/Y): 01/2000 OK <i>Note: Date of production is WEEK: 01 / YEAR: 2000 (1st week of year 2000)</i>
AT+WDOP <i>Note: Request Date of Production</i>	Production Date (W/Y): --/---- OK <i>Note: No date of production available</i>
AT+WDOP=?	OK

15.17.3 Defined values

No parameter

AT Commands Interface Guide for 6.57 Release

15.18 Wavecom Select Voice Gain +WSVG

15.18.1 Description

The product has 2 voice gain controllers, this **specific** command selects the microphone gain controller.

15.18.2 Syntax

Command syntax: AT+WSVG = <n>

Command	Possible responses
AT+WSVG=<n>	
AT+WSVG=0 <i>Note: Select Controller 1 (Default)</i>	OK <i>Note: Controller 1 selected</i>
AT+WSVG=1 <i>Note: Select Controller 2 (Default)</i>	OK <i>Note: Controller 2 selected</i>
AT+WSVG=? <i>Note: Get the list of possible values</i>	+WSVG: (0-1) <i>Note: possible values 0 or 1</i>
AT+WSVG? <i>Note: Get the current value</i>	+WSVG: 1 <i>Note: Controller 1 is selected</i>

15.18.3 Defined values

<n> Controller

0: Controller 1 (Default)

1: Controller 2

AT Commands Interface Guide for 6.57 Release

15.19 Wavecom Status Request +WSTR

15.19.1 Description

This **specific** command returns some operation status. It can be used for example to check the state of the initialization sequence; the different values returned are Not started, Ongoing, Finished.

15.19.2 Syntax

Command syntax: AT+WSTR=<status>

Response syntax: +WSTR: <status>,<value>

Command	Possible responses
AT+WSTR=<status>	+WSTR:<status>,<value>
AT+WSTR=1 <i>Note: Select the status 1 (INIT SEQUENCE)</i>	+WSTR: 1,2 OK <i>Note: Init finished</i>
AT+WSTR=2 <i>Note: Select the status 2 (NETWORK STATUS)</i>	+WSTR: 2,1 OK <i>Note: The network is available</i>
AT+WSTR=? <i>Note: Ask for the list of possible values</i>	+WSTR: (1-2) <i>Note: possible values are 1 and 2</i>

15.19.3 Defined values

<status>

1: Initialization sequence

<value>

0: Not started

1: On going

2: Finished

2: Network status

<value>

0: No network

1: Network available

AT Commands Interface Guide for 6.57 Release

15.20 Wavecom Scan +WSCAN

15.20.1 Description

This **specific** command displays the received signal strength indication (<rss>) for a specified frequency (in absolute format).

This command is not allowed during communication.

15.20.2 Syntax

Command syntax: AT+WSCAN=<absolute frequency>

Response syntax: +WSCAN: <rss>

Command	Possible responses
AT+WSCAN=50 <i>Note: Request <rss> of absolute frequency 50</i>	+WSCAN: 23 OK <i>Note: <rss> is 23.</i>
AT+WSCAN=1025 <i>Note: Request power of absolute frequency 1025</i>	CME ERROR: 3 <i>Note: 1025 is not a valid absolute frequency</i>

15.20.3 Defined values

<absolute frequency>: frequency in absolute format<rss>

- 0: -113 dBm or less
- 1: -111 dBm
- 2-30: -109 to -53 dBm
- 31: -51dBm or more
- 99: not known or not detectable

AT Commands Interface Guide for 6.57 Release

15.21 Wavecom Ring Indicator Mode +WRIM

15.21.1 Description

This **specific** command sets the state of the Ring Indicator Mode.

- Up-down RI mode: no pulses are sent before unsolicited AT response. Up-down signals are sent when receiving an incoming call.
- Pulse RI mode: an electrical pulse is sent on the Ring Indicator signal just before sending any unsolicited AT response, in order to lose no AT responses when client tasks are in sleep state. Still in RI mode, when receiving incoming calls, electrical pulses are sent on the RI signal.
- Pulse RI Mode + Pulse On Packet Downloaded: based on Pulse RI mode but an electrical pulse is also sent on the Ring Indicator signal just before sending a downloaded data packet (GPRS or CSD) if the remote client tasks has dropped down his RTS signal.

15.21.2 Syntax

Command syntax: AT+WRIM=<mode>[,<n>]

Command	Possible responses
AT+WRIM=0 <i>Note: Select up-down RI mode</i>	OK <i>Note: up-down RI mode selected</i>
AT+WRIM=1 <i>Note: Select pulse RI mode</i>	OK <i>Note: pulse RI mode selected</i>
AT+WRIM=2,0 <i>Note: Select mode pulse RI + Pulse on downloaded packet, pulse duration is 5 μs</i>	OK <i>Note: mode pulse RI + Pulse on downloaded packet selected</i>
AT+WRIM=? <i>Note: Ask for the list of possible values</i>	+WRIM: (0-2),(0-33) OK <i>Note: possible values 0, 1 or 2</i>
AT+WRIM? <i>Note: Ask for the current value</i>	+WRIM: 1 OK <i>Note: current RI mode is pulse RI.</i>

AT Commands Interface Guide for 6.57 Release

15.21.3 Defined values

<mode>

- 0 Up-down RI mode
- 1 Pulse RI mode
- 2 Pulse RI mode + Pulse on Downloaded Packet

<n>: used only in mode RI Pulse + Pulse on Downloaded packet (<mode>=2).

- 0 Duration of pulse is 5 μ s.
- 1-31 Duration of pulse is n x 30 μ s.

Warning: Pulse duration may be increased by up to 3 ms, due to interrupt processes overhead.

Note: Remind that this mode corresponds to the case where the remote equipment has dropped its RTS signal, to stop its flow control.

AT Commands Interface Guide for 6.57 Release

15.22 Wavecom 32kHz Power down Mode +W32K

15.22.1 Description

This **specific** command allows the 32kHz power down mode to be enabled or disabled.

Notes:

- When power down mode is entered, the product uses a 32kHz internal clock during inactivity stages (despite of its nominal internal clock).
- When enabled, power down mode is active after 1 to 15 minutes. The mode is not stored in EEPROM: the command has to be repeated after a reset.

For additional information on power down mode, see Specification of Power Down Control via RS232 in §21.

15.22.2 Syntax

Command syntax: AT+W32K=<mode>

Command	Possible responses
AT+W32K=1 <i>Note: Enable 32kHz power down mode</i>	OK <i>Note: 32kHz power down mode is enabled</i>
AT+W32K=0 <i>Note: Disable 32kHz power down mode</i>	OK <i>Note: 32kHz power down mode is disabled</i>

15.22.3 Defined values

<mode>:

- 0: Disable 32kHz power down mode
- 1: Enable 32kHz power down mode

AT Commands Interface Guide for 6.57 Release

15.23 Wavecom Change Default Melody +WCDM

15.23.1 Description

This **specific** command allows the selection of a manufacturer specific melody.. This default melody will be played for any new incoming voice call, either on the buzzer or on the speaker.

15.23.2 Syntax

Command syntax: AT+WCDM=<melody>,<player>

Command	Possible responses
AT+WCDM=0 <i>Note: Select no melody</i>	OK
AT+WCDM=5 <i>Note: Select melody n°5</i>	OK
AT+WCDM? <i>Note: Indicate the current melody</i>	+WCDM: 5,0 OK <i>Note: Melody n°5 is currently selected, and the buzzer is selected to play it.</i>
	RING <i>Note: An incoming call occurs, and the melody n°5 is played on the buzzer.</i>
AT+WCDM=,1 <i>Note: Select the speaker to play the melody on.</i>	OK
AT+WCDM?	+WCDM: 5,1 OK <i>Note: Now the speaker is selected to play the melody if an incoming call occurs.</i>

15.23.3 Defined values

<melody>

0: No melody (default)

1 - 10: Melody 1 to 10

AT Commands Interface Guide for 6.57 Release

<player>

- 0: Melody n°<melody> will be played on the buzzer for any new incoming voice call. (default)
- 1: Melody n°<melody> will be played on the speaker for any new incoming voice call.

15.24 Wavecom Software version +WSSW

15.24.1 Description

This **specific** command displays some internal software reference.

15.24.2 Syntax

Command syntax: AT+WSSW

Command	Possible responses
AT+WSSW <i>Note: Get Software version</i>	657_09gg.Q2406B 0016006CAF5DC7FF OK <i>Note: internal software information</i>
AT+WSSW=?	OK

15.24.3 Defined values

No parameter

15.25 Wavecom Custom Character Set +WCCS

15.25.1 Description

This **specific** command allows to edit and display the custom character set tables. These tables are used by the "CUSTOM" mode of +CSCS and the +WPCS commands. In this CUSTOM mode, when the user enters a string, it is converted into GSM alphabet using the Custom to GSM table. In a similar way, when the user requests a string display, the string is converted from GSM alphabet using the Custom alphabet and Custom alphabet extension tables.

In edition mode, the session is terminated by <ctrl-Z>, or aborted by <ESC>. Only hexadecimal characters ('0'...'9', 'A'...'F') can be used. The number of characters

AT Commands Interface Guide for 6.57 Release

entered must be equal to the edition range requested, otherwise the command will return "+CME ERROR: 24".

The default Custom alphabet extension table contains the following extended characters:

| ^ € { } [] ~ \

15.25.2 Syntax

Command syntax: AT+WCCS=<mode>,<table>,<char 1>[,<char 2>]

Command	Possible responses
AT+WCCS=0,0,120,130 <i>Note: Display from character 120 to character 130 of the Custom To GSM conversion table</i>	+WCCS: 11, 78797A2020202020097E05 OK <i>Note: 11 characters displayed</i>
AT+WCCS=1,0,115<CR> 20<ctrl-Z> <i>Note: Edit character 115 of the Custom To GSM conversion table</i>	OK <i>Note: Edition successful</i>
AT+WCCS=1,1,0,4<CR> 40A324A5E8<ctrl-Z> <i>Note: Edit the 5 first characters of the Custom alphabet table</i>	OK <i>Note: Edition successful</i>
AT+WCCS=0,2,20<CR> <i>Note: Display character 20 of the Custom alphabet extension table</i>	+WCCS: 1,5E OK
AT+WCCS=1,1,200 <i>Note: Edit character 200 of Custom alphabet table</i>	+CME ERROR: 3 <i>Note: Index out of range</i>

15.25.3 Defined values

<mode>

- 0 Display the table
- 1 Edit the table

AT Commands Interface Guide for 6.57 Release

<table>

- 0 Custom To GSM conversion table (default table is PCCP437 to GSM table)
- 1 Custom alphabet table (default table is GSM 7 bit default alphabet)
- 2 Custom alphabet extension table (default table is GSM 7 bit default alphabet extended)

<char 1>, <char 2>: Character range to display/edit.

0-127 for table 1 and 2

0-255 for Custom To GSM conversion table

Note1: <char1> and <char2> are not ASCII codes, they stand for the range of a given character in the tables.

Note2: If only <char1> is provided, only this char is displayed/edited.

See section 20 Examples for informative examples about the use of these characters.

15.26 Wavecom LoCK +WLCK

15.26.1 Description

This **specific** command allows the ME to be locked on a specific network operator.

Note: Test SIM cards (with MCC=001 & MNC=01) doesn't check these locks.

AT Commands Interface Guide for 6.57 Release

15.26.2 Syntax

Command syntax: AT+WLCK=<fac>,<passwd>,<NetId>[,<GID1>[,GID2]]
[,<CnlType>[,<CnlData>]]

Response syntax: +WLCK: <status>

Command	Possible responses
AT+WLCK="PN",12345678,20810 <i>Note: Activate network lock on SFR (208, 10)</i>	OK <i>Note: Network lock activated</i>
AT+WLCK="PS",12345678,208105923568974 <i>Note: Activate SIM lock</i>	OK <i>Note: SIM lock activated</i>
AT+WLCK="PU",12345678,2081035 <i>Note: Activate Network Subset lock on SFR (208, 10, 35).</i>	OK <i>Note: Network Subset lock activated</i>
AT+WLCK="PU",12345678,20810	+CME ERROR: 3 <i>Note: Need 7 digits of IMSI to perform a service provider lock</i>
AT+WLCK="PP",12345678,20810,"E5" <i>Note: Activate Service Provider lock on SFR (208, 10) and GID1 (0xE5).</i>	OK <i>Note: Service Provider lock activated.</i>
AT+WLCK="PC",12345678,20810,"E5","10" <i>Note: Activate Corporate lock on SFR (208, 10), GID1 (0xE5) and GID2 (0x10).</i>	OK <i>Note: Corporate lock activated.</i>
AT+WLCK="PN",12345678,20810,0 <i>Note: Activate Network lock on SFR (208, 10) using co-operative network list from SIM file EFCNL (must be present in SIM)</i>	OK <i>Note: Network lock activated on SFR and co-operative network list present in SIM</i>
AT+WLCK="PN",12345678,20801,1,"02F802FFFFFF02F801FFFFFF" <i>Note: Activate Network lock on F ORANGE (208, 01) with manual co-operative network list including SFR (208, 10) and Bouygues Telecom (208, 20)</i>	OK <i>Note: Network lock activated on F ORANGE (primary network), SFR and Bouygues Telecom (co-operative networks)</i>

AT Commands Interface Guide for 6.57 Release

15.26.3 Defined values

<fac>:

"PS": SIM lock facility with a 8 digits password (PCK).

"PN": Network lock with a 8 digits password (NCK).

"PU": Network subset lock with a 8 digits password (NSCK).

"PP": Service provider lock with a 8 digits password (SPCK).

"PC": Corporate lock with a 8 digits password (CCK).

<passwd>: password code, 8 digits.

<NetId>: IMSI for SIM lock (<fac>="PS"), operator in numeric format (MCC and MNC) for other locks (other <fac> values).

<GID1>: Group IDentifier level 1, mandatory for Service provider lock (<fac>="PP") and for Corporate lock (<fac>="PC").

<GID2>: Group IDentifier level 2, mandatory for Corporate lock (<fac>="PC")

<CnlType>: Type of lock for cooperative network list (CNL)

0: Automatic (co-operative network list retrieved from EFCNL SIM file)
Note: EFCNL file must be present in SIM to use automatic mode.

1: Manual (cooperative network list is given in the **<CnlData>** parameter)

<CnlData>: Co-operative network list (hexa string type) using same format as in EFCNL SIM file (ETSI GSM 11.11 or 3GPP 04.08).

Note: Only if <CnlType> = 1

AT Commands Interface Guide for 6.57 Release

15.27 CPHS command: +CPHS

15.27.1 Description

This **specific** command is used to activate, deactivate or interrogate a CPHS feature (e.g. Voice Mail Indicator, Mail Box Number...)

Note: This command may answer +CME ERROR: 3 if the CPHS feature is disabled (cf. +WFM command), or if the SIM card does not support this CPHS feature.

15.27.2 Syntax

Command syntax: AT+CPHS=<Mode>,<FctId>[,<precision>]

Command	Possible responses
AT+CPHS=<Mode>,<FctId>[,<precision>]	OK
AT+CPHS=<Mode>,<FctId>[,<precision>]	+CME ERROR: 3
AT+CPHS?	+CPHS: <FctId1>,<Status><CR<LF> +CPHS: <FctId2>,<Status><CR<LF> ... +CPHS: <FctIdn>,<Status><CR<LF> OK
AT+CPHS=?	OK

15.27.3 Defined values:

<Mode>

0: Deactivate a CPHS feature

1: Activate a CPHS feature

2: Interrogate a CPHS status

Note: The deactivate or activate command has not effect for Alternate line service, Network Operator Name, CPHS information and Customer Profile Service features.

AT Commands Interface Guide for 6.57 Release

<Fctld>

- 1: Voice Mail Indicator
- 2: Mail Box Number
- 3: Alternate Line Service
- 4: Diverted Call Indicator
- 5: Network Operator Name
- 6: CPHS Information
- 7: Customer Service Profile

Note: The Customer Service Profile and Alternate Line Service features are activated if the field is set in CPHS information and CSP files. The Network Operator Name is activated if at least one of the two format names exist (Long or Short format). This is done at initialization.

<precision>

only used if <Mode>=2 **and** <Fctld>= 5 to 7

if <Fctld>=5, this field is <type format> (See +WNON)

if <Fctld>=6, this field is <data field> (See +WCPI)

if <Fctld>=7, this field is <service> (See +WCSP)

<Status>

- 0: CPHS feature disabled
- 1: CPHS feature enabled

15.27.4 Examples

AT+CPHS?	<i>Interrogate the status of CPHS functionality</i>
+CPHS: 1,0	<i>The voice mail indicator functionality is deactivated</i>
+CPHS: 2,0	<i>The mail box number functionality is deactivated</i>
+CPHS: 3,1	<i>The Alternate Line Service functionality is activated</i>
+CPHS: 4,0	<i>The Divert Call Indicator functionality is deactivated</i>
+CPHS: 5,1	<i>The Network Operator Name functionality is activated</i>
+CPHS: 6,1	<i>The CPHS Information functionality is activated</i>
+CPHS: 7,1	<i>The Customer Service Profile functionality is activated</i>
OK	
AT+CPHS=3,1	<i>Syntax error</i>
+CME ERROR: 3	

AT Commands Interface Guide for 6.57 Release

AT+CPHS=1,1 *Activate the voice mail indicator functionality*
OK

AT+CPHS?
+CPHS: 1,1 *The voice mail indicator functionality is activated*
+CPHS: 2,0 *The mail box number functionality is deactivated*
+CPHS: 3,1 *The Alternate Line Service functionality is activated*
+CPHS: 4,0 *The Divert Call Indicator functionality is deactivated*
+CPHS: 5,1 *The Network Operator Name functionality is activated*
+CPHS: 6,1 *The CPHS Information functionality is activated*
+CPHS: 7,1 *The Customer Service Profile functionality is activated*
OK

***** the message box contains 1 message *****
+WVMI: 1,1 *A message is waiting on Line 1*
***** The message box contains a second message ****
+WVMI: 2,1 *A message is waiting on Line 2*

AT+CPHS=1,4 *Activate the divert call indicator functionality*
OK

***** the call forwarding is active on Line 1 *****
+WDCI: 1,1 *Call forwarding is activated on Line 1*

AT+CPHS=2,1 *Interrogate the status of voice mail indicator functionality*
+WVMI: 1,1 *a message is waiting on LINE 1*
+WVMI: 2,1 *a message is waiting on LINE 2*
+WVMI: 3,0 *no Data waiting*
+WVMI: 4,0 *no Fax waiting*
OK

AT+CPHS=1,2 *Activate the mail box number functionality*
OK

AT Commands Interface Guide for 6.57 Release

AT+WALS=1	<i>Interrogate the status of activated Line</i>
+WALS: 2	<i>The current line is number 2</i>
OK	
AT+CPHS=0,4	<i>Deactivate the divert call indicator functionality</i>
OK	
AT+CPHS?	<i>Interrogate the status of CPHS functionality</i>
+CPHS: 1,1	<i>The voice mail indicator functionality is activated</i>
+CPHS: 2,1	<i>The mail box number functionality is activated</i>
+CPHS: 3,1	<i>The Alternate Line Service functionality is activated</i>
+CPHS: 4,0	<i>The Divert Call Indicator functionality is deactivated</i>
+CPHS: 5,1	<i>The Network Operator Name functionality is activated</i>
+CPHS: 6,1	<i>The CPHS Information functionality is activated</i>
+CPHS: 7,1	<i>The Customer Service Profile functionality is activated</i>
OK	
AT+CPHS=2,2	<i>Query current mail box numbers in SIM</i>
+WMBN: 1,"19254871234",129,,1	<i>Mail box number for Line 1</i>
+WMBN: 2,,,1	<i>Mail box number for Line 2</i>
+WMBN: 3,,,1	<i>Mail box number for Data Line</i>
+WMBN: 4,,,1	<i>Mail box number for Fax Line</i>
OK	<i>Only Line1 can be updated</i>

AT Commands Interface Guide for 6.57 Release

15.28 Unsolicited result: Wavecom Voice Mail Indicator: +WVMI

15.28.1 Description

This unsolicited indication gives the status of the LINE 1, LINE 2, DATA or FAX mailboxes. The +CPHS command can be used to know the status of voice mail indicator for each line.

15.28.2 Syntax

Response syntax: +WVMI: <LineId>,<Status>

Response syntax (to AT+CPHS=2,1)

+WVMI = <LineId>,<Status>

Command	Possible responses
AT+CPHS=1,1 <i>Note: Activate the Voice Mail indicator feature.</i>	OK
AT+CPHS=2,1 <i>Note: Get the current status of Voice mail indicator.</i>	+WVMI: 1,1 a message is waiting on LINE 1 +WVMI: 2,1 a message is waiting on LINE 2 +WVMI: 3,0 no Data waiting +WVMI: 4,0 no Fax waiting
AT+CPHS=2,1	+CME ERROR: 3 <i>Note: CPHS Feature is not allowed</i>
AT+CPHS=1,1 <i>Note: Activation of Voice mail indicator feature.</i>	OK <i>Note: The Voice mail indicator feature is activated</i>
	+WVMI: 1,1 <i>Note: A message is waiting on Line 1</i>

AT Commands Interface Guide for 6.57 Release

15.28.3 Defined values

<LineId>

- 1: Line 1
- 2: Line 2
- 3: Data
- 4: Fax

<Status>

- 0: No message waiting.
- 1: At least one message is waiting

AT Commands Interface Guide for 6.57 Release

15.29 Unsolicited result: Wavecom diverted call indicator: +WDCI

15.29.1 Description

This indication provides the call forwarding flags. The +CPHS command can be used to know the status of Divert call indicator for each line.

15.29.2 Syntax

Response syntax: +WDCI:<LineId>,<flag>

Response syntax (to AT+CPHS=2,4)

+WDCI = <LineId>,<Status>

Command	Possible responses
AT+CPHS=1,4 <i>Note: Activate the Divert Call indicator feature.</i>	OK
AT+CPHS=2,4 <i>Note: Get the current status of Divert call indicator.</i>	+WDCI: 1,1 <i>divert call indicator is active on LINE 1</i> +WDCI: 2,1 <i>divert call indicator is active on LINE 2</i> +WDCI: 3,0 <i>divert call indicator is deactivate on Data</i> +WDCI: 4,1 <i>divert call indicator is active on Fax</i>
AT+CPHS=2,4	+CME ERROR: 3 <i>Note: CPHS Feature is not allowed</i>
AT+CPHS=1,4 <i>Note: Activation of Divert call indicator feature.</i>	OK <i>Note: The Divert call indicator feature is activated</i>
	+WDCI: 1,1 <i>Note: Call forwarding is activate on Line 1</i>

15.29.3 Defined values

<LineId>

- 1: Line 1
- 2: Line 2
- 3: Data
- 4: Fax

AT Commands Interface Guide for 6.57 Release

<flag>, <status>

0: Call forwarding is deactivated

1: Call forwarding is activated

Note: The call forwarding SS is set by the AT+CCFC command.

15.30 Wavecom network operator name: +WNON

15.30.1 Description

This indication provides the name of the network operator (as a character string). This command is the response to the AT+CPHS=2,5[,<type format>] command.

15.30.2 Syntax

Command: AT+CPHS=2,5[,<type format>]

Response syntax: +WNON:<type format>,<operator name>

Command	Possible responses
AT+CPHS=2,5 <i>Note: Get the operator name</i>	+WNON: 0,"Orange F" OK
AT+CPHS=2,5,1 <i>Note: Get the short format operator name.</i>	+WNON: 1,"Orange" OK
AT+CPHS=2,5,0	+CME ERROR: 3 <i>Note: When CPHS Feature is not allowed or format name no accessible</i>
AT+CPHS=2,5,1	+CME ERROR: 3 <i>Note: When NON Feature is not allowed or format name no accessible</i>
AT+CPHS=0,5 <i>Note: Deactivation of Network Operator Name feature.</i>	OK <i>Note: No effect.</i>

AT Commands Interface Guide for 6.57 Release

15.30.3 Defined values

<type format>

0: Long format operator name

1: Short format operator name (default value)

<operator name>

The name of the operator, in long or short format

15.31 Wavecom CPHS information: +WCPI

15.31.1 Description

This indication provides CPHS information; i.e. which data field are present in the SIM. This command is the response to the AT+CPHS 2,6[,<data field>] command.

AT Commands Interface Guide for 6.57 Release

15.31.2 Syntax

Command: AT+CPHS=2,6[,<data field >]

Response syntax: +WCPI: <data field>,<status>

Command	Possible responses
AT+CPHS=2,6 <i>Note: Get the current status for all CPHS info field</i>	+WCPI: 0,"0033000F" OK
AT+CPHS=2,6,13 <i>Note: Get the current status for Call Forward Activated indicator for Line 1.</i>	+WCPI: 13,1 OK <i>Note: Call Forward is active for Line 1.</i>
AT+CPHS=2,6,22 <i>Note: Get the current status for Line 2 Mailbox number.</i>	+WCPI: 22,0 OK <i>Note: Mailbox number for Line2 is not available.</i>
AT+CPHS=2,6,17	+CME ERROR: 3 <i>Note: Wrong data field</i>
AT+CPHS=2,6,22 <i>Note: Get the current status for Line 2 Mailbox number.</i>	+CME ERROR: 3 <i>Note: CPHS Feature is not allowed</i>
AT+CPHS=0,6 <i>Note: Deactivation of CPHS Info feature.</i>	OK <i>Note: No effect.</i>

15.31.3 Defined values

<data field>: value indicating the field of CPHS information (see §21 Technical appendixes)

If **<precision>** field omitted in the AT+CPHS command, all field of CPHS Info will be displayed.

<status>

0: data field is set

1: data field is unset

When all CPHS information are requested, the status correspond to a bit field (see §19 Codes and values).

Note: The field CSP service (<data field> = 1) is used to set or not the CSP feature at the initialization.

AT Commands Interface Guide for 6.57 Release

15.32 Wavecom customer service profile: +WCSP

15.32.1 Description

This indication indicates if a service is accessible to the customer. This is the response to the AT+CPHS 2,7,<service > command.

15.32.2 Syntax

Command: AT+CPHS=2,7,<service>

Response syntax: +WCSP: <service>,<status>

Command	Possible responses
AT+WCSP=?	ERROR
AT+WCSP?	ERROR
AT+CPHS=2,7	+CME ERROR: 3 <i>Note: Syntax error</i>
AT+CPHS=2,7,9 <i>Note: Get the current status for Barring of All Outgoing Calls.</i>	+WCSP: 9,1 OK <i>Note: Barring of All Outgoing Calls is customer accessible.</i>
AT+CPHS=2,7,11 <i>Note: Get the current status Barring of Outgoing International Calls</i>	+WCSP: 11,1 OK <i>Note: Barring of Outgoing International Calls is customer accessible.</i>
AT+CPHS=2,7,2 <i>Note: Get the current status Call forwarding on user Busy.</i>	+CME ERROR: 3 <i>Note: CPHS Feature is not allowed</i>
AT+CPHS=0,7 <i>Note: Deactivation of CPHS Info.</i>	OK <i>Note: No effect.</i>

15.32.3 Defined values

<service> value indicating the field of CSP field to display (see appendix19 Codes and values, column External Value)

<status>

0: service is not customer-accessible

1: service is customer-accessible

AT Commands Interface Guide for 6.57 Release

Note: The field Alternate Line Service (CPHS Teleservices Group) is used to set or not the ALS feature at the initialization.

15.33 Wavecom Battery Charge Management +WBCM

15.33.1 Description

This **specific** command allows the management of the battery charging operations (start and stop the charge, enable or disable unsolicited +WBCI Battery Charge Indications). It also sets the battery charge parameters.

Important notes:

On Q2501 Wireless CPU, the battery charge is not available by default. To enable it, the AT+WBCNF command must be used (see +WBCNF description).

Unsolicited responses for battery charge are only returned through one port (except +WBCI: 0 and +WBCI: 1). If these responses are already activated on a port and if the activation/deactivation is made on another port, the command will return +CME ERROR: 552 specific error

15.33.2 Syntax

Command syntax:

- For mode = 0 or 1:
AT+WBCM=<Mode>,[<ChargeInd>]
- For mode = 2:
AT+WBCM=<Mode>
- For mode = 3, ChargeMode = 0:
AT+WBCM=<Mode>,[,<ChargeInd>],[,<BattLevelMax>],
[<BattLevelMin>],[<TPulseInChargeN>],
[<TPulseOutCharge>],[<BattIntRes>],[<BattChangeLevel>]]]

AT Commands Interface Guide for 6.57 Release

- For mode = 3, ChargeMode = 1:

AT+WBCM=<Mode>,[<ChargeInd>],[<TimeDeltaTempMeas>],[<BattLevelMax>],[<BattLevelMin>],[<Max_Volt_Pulse>],[<Max_Battery_Temp_Volt>],[<Min_Battery_Temp_Volt>],[<Charging_Current>],[<Start_Charge_Dedicated_Volt>],[<Battery_Pulse_Charging_Timeout>],[<Battery_Fast_Charging_Timeout>],TPulseOutChargeF],[<Battery_Internal_Resistor>],[<BattChangeLevel>]]

- For mode = 4:

AT+WBCM=<Mode>,[<ChargeMode>]

Command	Possible responses
AT+WBCM=?	OK
AT+WBCM?	+WBCM: 0,0,4200,3500,100,5000,0,200 OK <i>Note: Current values (depend on ChargeMode parameter); in this case the charging mode is normal</i>
AT+WBCM=0 <i>Note: Stop the battery charging.</i>	OK
AT+WBCM=4,0 <i>Note: Configure the battery charging in normal mode</i>	OK
AT+WBCM=1,1 <i>Note: Start the battery charging with charge indications.</i>	OK
	+WBCI: 2,4060 <i>Note: Unsolicited charge indication: the current battery voltage is 4.06 V. (See +WBCI description)</i>
AT+WBCM=1,1 <i>Note: Start the battery charging with charge indications on another port</i>	+CME ERROR: 552 <i>Note : the charge indications are already activated on another port.</i>

AT Commands Interface Guide for 6.57 Release

Command	Possible responses
AT+WBCM=1,0 <i>Note: Start the battery charging without charge indications.</i>	OK
AT+WBCM=4,2 <i>Note: Get the charging in mode</i>	+WBCM: 4,0 OK <i>Note: Charging mode is normal</i>
AT+WBCM=2 <i>Note: Get the battery voltage during the charging.</i>	+WBCI: 2,4110 OK <i>Note: See the description of +WBCI unsolicited response. The current battery voltage is 4.11 V.</i>
	+WBCI: 1 <i>Note: The battery voltage has reached the max level. The battery is considered as charged and the charging is stopped.</i>
AT+WBCM=0,1 <i>Note: Enable the battery charge unsolicited indications out of charge.</i>	OK
	+WBCI: 3,4195 <i>Note: The current battery voltage is 4.195 V.</i> <i><u>Caution: This indication only occurs if Battery Change Level has reached parameter or default value: BattChangeLevel</u></i>
AT+WBCM=1,1 <i>Note: Enable the battery charge unsolicited indications out of charge <u>on another port</u></i>	+CME ERROR: 552 <i>Note : the charge indications are already activated on another port.</i>

AT Commands Interface Guide for 6.57 Release

Command	Possible responses
AT+WBCM=3,0,4200,,500,3000,0,500 <i>Note: Configure the battery charging parameters (depends on ChargeMode parameter); in this case the charging mode is normal..</i>	OK
	+WBCI: 0 <i>Note: The battery voltage has reached the minimum level. The battery is considered as discharged. If a charger is not plugged, the product is turned off, with the +CPOF command behavior. Else the charge automatically begins.</i>
AT+WBCM=3,,,3300,,,,	OK <i>Note: Answer for Q24 Family +CME ERROR: 3</i> <i>Note: Answer for Q2501B.Min Battery level for Q2501B is 3.4V</i>

15.33.3 Defined values

<Mode>

- 0: Stop the battery charging (default).
- 1: Start the battery charging.
- 2: Get the current battery voltage.
- 3: Set the battery charge parameters.
- 4: Choose the type of charging.

Notes:

When <Mode> = 0 or 1, only the <ChargeInd> parameter can be set. In those cases, +WBCI indication only occurs if Battery Change Level has reached parameter or default value: BattChangeLevel.

When <Mode> = 2, no additional parameter can be set.

When <Mode> = 3, all others parameters can be set.

When <Mode> = 4, only the <ChargeMode> parameter can be set.

AT Commands Interface Guide for 6.57 Release

- For mode = 0,1 and 3:

<ChargeInd>:

- 0: Disable the battery charge unsolicited indications (default value).
- 1: Enable the battery charge unsolicited indications (see +WBCI description).
- 2: Enable the extended battery charge unsolicited indications (see +WBCI description).

- For mode = 4:

<ChargeMode>:

- 0: NI-CD, NI-MH I charging *algorithm*.
- 1: LI-ION charging *algorithm*
- 2: Get the charging *algorithm*.

Please refer to the battery application note for more information.

- For ChargeMode = 0

<BattLevelMax>: Maximum level for the battery voltage.

When reached, the battery is considered as charged.

The allowed range is [4000 ; 4300] (in mV, default value is 4200).

Note: *Please check charger and battery recommendation ; refer to the battery application note for more information.*

<BattLevelMin>: Minimum level for the battery voltage.

When reached, the battery is considered as discharged and the product is turned off (with the +CPOF command behavior).

The allowed range is [3400 ; 3800] for Q2501B, [3300 ;3800] for Q2406 Family Wireless CPUs and [3200 ; 3800] for Q24 Classic, Q24 Auto, Q24 Extended, and Q24 Plus. (Value in mV, default value is 3400 for any Wireless CPU).

Note: *The <BattLevelMax> and <BattLevelMin> parameters cannot be changed during the battery charging (when <Mode> = 1).*

Please refer to the battery technical specification to check the appropriate value for this parameter.

<TPulseInCharge>: Time between pulses for the pulsed charge.

The pulse duration lasts one second when the battery charging is started with unsolicited charging indications (<ChargeInd> = 1), +WBCI responses are

AT Commands Interface Guide for 6.57 Release

returned by the ME with a period equals to (<Pulse Time> (= 1s.) + <TPulseInCharge>).

The allowed range is [100 ; 10000] (in ms, default value is 100)

<TPulseOutCharge>: Time between +WBCI unsolicited responses (out of charge).

The allowed range is [100 ; 10000] (in ms, default value is 5000)

<BattIntRes>: Battery Internal Resistor.

This parameter must be set to have correct values with +WBCI unsolicited results.

The allowed range is [0 ; 255] (in mΩ, default value is 0).

Note: *When the <BattIntRes> parameter is changed, the product must be reset to take the modification into account.*

Please refer to the battery technical specification to check the appropriate value for this parameter.

<BattChangeLevel>: Battery changed level

The +WBCI (only +WBCI: 3) indication only occurs if battery level has reached this parameter.

The allowed range is [100 ; 500] or 0 (in mV).

The default value is 0: in this case, +WBCI indication is not filtered with battery level changes.

- For ChargeMode = 1

<TimeDeltaTempMeas>: Delta Time (Δt) interval to measure Delta Temperature (ΔT).

The allowed range is [1 ; 5] (in mn, default value is 3).

<BattLevelMax>: Maximum level for the battery voltage.

When reached, the battery is considered as charged.

The allowed range is [4000 ; 4300] (in mV, default value is 4200).

Note: *Please check charger and battery recommendation ; refer to the battery application note for more information.*

AT Commands Interface Guide for 6.57 Release

<BattLevelMin>: Minimum level for the battery voltage.

When reached, the battery is considered as discharged and the product is turned off (with the +CPOF command behavior).

The allowed range is [3400 ; 3800] for Q2501B, [3300 ;3800] for Q2406 Family Wireless CPUs and [3200 ; 3800] for Q24 Classic, Q24 Auto, Q24 Extended, and Q24 Plus. (Value in mV, default value is 3400 for any Wireless CPU).

Note: The **<BattLevelMax>** and **<BattLevelMin>** parameters cannot be changed during the battery charging (when **<Mode>** = 1).

Please refer to the battery technical specification to check the appropriate value for this parameter.

<VoltPulseMax>: Charging pulse maximum voltage.

The allowed range is [4200;4608] (in mV, default value is 4608)

Please refer to the battery technical specification to check the appropriate value for this parameter. It represents the maximum over-voltage supported by the battery PCM (Protection Circuit Module).

<Max_Battery_Temp_Volt>: highest value for battery temperature sensor voltage in mV (lowest temperature with a NTC).

The allowed range is [2256;1816] (in mV, default value is 2171 (~3°C), corresponding allowed temperature range is [0;14]).

Indicative temperature values:

°C	mV	°C	mV	°C	mV
0	2256	5	2111	10	1951
1	2228	6	2080	11	1918
2	2200	7	2048	12	1884
3	2171	8	2016	13	1850
4	2141	9	1984	14	1816

Note: These values are obtained with the CTN equal to the Pull-up (Wavecom recommends 100K). Please refer to the battery application note for more information.

<Min_Battery_Temp_Volt>: lowest value for battery temperature sensor voltage in mV (highest temperature with a NTC).

The allowed range is [1233;831] (in mV, default value is 908 (~42°C), corresponding allowed temperature range is [31;45]).

AT Commands Interface Guide for 6.57 Release

Indicative temperature values:

°C	mV	°C	mV	°C	mV
31	1233	36	1077	41	934
32	1201	37	1048	42	908
33	1169	38	1019	43	881
34	1138	39	990	44	856
35	1107	40	962	45	831

Note: *These values are obtained with the CTN equal to the Pull-up (Wavecom recommends 100K). Please refer to the battery application note for more information*

<ChargingCurrent>: Charging current delivered by the charger.

The allowed range is [500;800] (in mA, default value is 500)

Please refer to the charger and the battery specifications.

<DedicatedVoltStart>: Pulse charging can start above this voltage threshold.

The allowed range is [4000;4199] (in mV, default value is 4000).

<BatteryPulseChargingTimeout>: Maximum duration of the pulse charging.

The allowed range is [60;90] (in mn, default value is 90).

<BatteryFastChargingTimeout>: Maximum duration of the fast charging.

The allowed range is [70;90] (in mn, default value is 90).

<TpulseOutCharge>: Time between +WBCI unsolicited responses (<ChargeInd>=1).

The allowed range is [100;10000] (in ms, default value is 5000).

<BattIntRes>: Battery internal resistor.

This parameter must be set in order to have correct values with +WBCI unsolicited results. The allowed range is [0;255] (in mΩ, default value is 0).

AT Commands Interface Guide for 6.57 Release

Note: When the <BattIntRes> parameter is changed, the device must be reset to take the modification into account.

Please refer to the battery specification for appropriate value.

<BattChangeLevel>: Battery changed level

The +WBCI (only +WBCI: 3) indication only occurs if battery level has reached this parameter.

The allowed range is [100 ; 500] or 0 (in mV).

The default value is 0: in this case, +WBCI indication is not filtered with battery level changes.

Note: The +WBCI responses (+WBCI: 2) frequency returned by the ME depends on the LI-ION charging algorithm.

15.34 Unsolicited result: Wavecom Battery Charge Indication +WBCI

15.34.1 Description

This unsolicited indication returns information about the battery charge (maximum level reached, current battery voltage).

15.34.2 Syntax

Unsolicited response syntax: +WBCI: <Status>[,<BattLevel>]

15.34.3 Defined values

<Status>

0: Minimum battery level reached. The battery is considered as discharged.

The product is turned off (as with the +CPOF command) if a charger is not plugged. Or else the charge automatically begins.

1: Maximum battery level reached (the battery is considered as charged) or charging discontinuation.

The battery charging is stopped.

2: Battery currently in charge.

3: Battery currently out of charge.

4: Battery charger indication when the charger has been plugged.

5: Battery charger indication when the charger has been unplugged.

AT Commands Interface Guide for 6.57 Release

6: This indication is sent in case of unusual voltage or temperature (LI-ION charging algorithm only).

<BattLevel>: Current battery voltage during or out of the charging.

The possible range is [2800 ; 5000]. (in mV)

Notes:

<Status> = 0 and 1 are not dependent on the parameter **<ChargeInd>**.

<Status> = 2 and 3 are solicited, by the AT+WBCM=2 command, or unsolicited when the **<ChargeInd>** parameter of the +WBCM command is set to 1 or 2. With these **<Status>** values, the **<BattLevel>** parameter is also present.

4, 5 and 6 **<Status>** values are unsolicited when the **<ChargeInd>** parameter of the +WBCM command is set to 2.

If the battery charging is started without charger plugged or with an abnormal temperature or voltage, the charging does not start. +WBCI: 3 unsolicited indications are sent (depending on TpulseOutCharge parameter). After that kind of problem, it is necessary to start again the battery charging).

AT Commands Interface Guide for 6.57 Release

15.35 Features Management +WFM

15.35.1 Description

This **specific** command allows some features to be enabled or disabled.

Note:

After a modification, the changes will be taken into account only after a **reset of the product**.

The SIMREMOVE feature is available only if the hardware SIM detect pin is managed (see 3.1).

15.35.2 Syntax

Command syntax AT+WFM=<mode>[,<FtrID>]

Response syntax +WFM: <FtrID>,<status>,<resetFlag>

Command	Possible responses
AT+WFM=2,"BI9001800"	+WFM: "BI9001800",1,0 OK <i>Note: Dual-band mode 900/1800 is enabled</i>
AT+WFM=1,11 <i>Note: Enable the Mono-band 900 mode</i>	+CME ERROR: 3 <i>Note: Band selection are not allowed with AT+WFM command</i>
AT+WFM=0,61	+CME ERROR: 3 <i>Note: <mode>=0 is not allowed on <FtrID> values with 2 digits</i>
AT+WFM=0,"EFR" <i>Note: Disable the Enhanced Full Rate feature</i>	OK

AT Commands Interface Guide for 6.57 Release

Command	Possible responses
AT+WFM=2 <i>Note: Interrogate all <FtrID> status</i>	+WFM: "MONO900",0,0 +WFM: "MONO1800",0,0 +WFM: "MONO1900",0,0 +WFM: "BI9001800",1,0 +WFM: "BI9001900",0,0 +WFM: "MONO850",0,0 +WFM: "BI8501900",0,0 +WFM: "QUADBAND",0,0 +WFM: "EFR",0,1 +WFM: "NOHR_NOECHO",0,0 +WFM: "HR",1,0 +WFM: "ECHO",0,0 +WFM: "HR_ECHO",0,0 +WFM: "DTXDATA",1,0 +WFM: "DATA144",1,0 +WFM: "SIM3VONLY",0,0 +WFM: "SIM5VONLY",0,0 +WFM: "SIM3AND5V",1,0 +WFM: "SIM1V8ONLY",0,0 +WFM: "SIM1V8AND3V",0,0 +WFM: "SIMREMOVE",1,0 +WFM: "NOINTERRUPT",0,0 +WFM: "OFFWHENUNPLUG",0,0 +WFM: "INTERRUPT",1,0 +WFM: "SWITCHATT",1,0 +WFM: "CPHS",1,0 +WFM: "SIMSPEEDENH",0,0 +WFM: "LOCA",0,0 +WFM: "AMR",0,0 +WFM: "NT_6K",1,0 OK <i>Note :For Wireless CPU without SIMHolder integrated</i> <i>Note: The modified features have their <resetFlag> parameter set to 1</i>

AT Commands Interface Guide for 6.57 Release

15.35.3 Defined values

<mode>

- 0: disable feature <FtrID>
- 1: enable feature <FtrID>
- 2: interrogate the status of the <FtrID> feature.

If the <FtrID> parameter is not used, the status of all the features are listed (with several +WFM responses).

<FtrID>

Numeric value	String value	Meaning
11	"MONO900"	Mono-band mode 900 MHz (def. 0)
12	"MONO1800"	Mono-band mode 1800 MHz (def. 0)
13	"MONO1900"	Mono-band mode 1900 MHz (def. 0)
14	"BI9001800"	Dual-band mode 900/1800 MHz (def. 1)
15	"BI9001900"	Dual-band mode 900/1900 MHz (def. 0)
16	"MONO850"	Mono-band mode 850 MHz (def. 0)
17	"BI8501900"	Dual-band mode 850/1900 MHz (def. 0)
18	"QUADBAND"	Quad-band mode 850/900/1800/1900 MHz
2	"EFR":	Enhanced Full Rate feature (def. 1)
31	"NOHR_NOECHO"	HR and ECHO features are disabled
32	"HR"	Half Rate feature (def. 1)
33	"ECHO"	Echo Cancel (def. 0)
34	"HR_ECHO"	HR and ECHO features are enabled
4	"DTXDATA"	Data with DTX feature (def. 1)
5	"DATA144"	Data 14.4 kbits/s feature (def. 1)
61	"SIM3VONLY"	3V SIM voltage mode (def. 0)
62	"SIM5VONLY"	5V SIM voltage mode
63	"SIM3AND5V"	Both 3 and 5V SIM voltage mode (def. 1)
64	"SIM1V8ONLY"	1,8V SIM voltage mode (default 0)
65	"SIM1V8AND3V"	1,8V and 3V SIM voltage mode (default 0)

AT Commands Interface Guide for 6.57 Release

Numeric value	String value	Meaning
7	"SIMREMOVE"	SIM removal feature For WCPU without SimHolder integrated (def. 1) For WCPU with SimHolder integrated (def. 0)
81	"NOINTERRUPT"	No management of interruption (def. 0)
83	"OFFWHENUNPLUG"	Off when unplug mode (def. 0)
84	"INTERRUPT"	interruption for customer (def. 1)
9	"SWITCHATT"	Switch Attenuation feature (def. 1)
A	"CPHS"	CPHS feature (def. 1)
B	"SIMSPEEDENH"	SIM speed enhancement feature (def.1)
C	"LOCA"	Location feature (def. 0)
D	"AMR"	AMR feature
E	"NT_6K"	NIRR bit management for network

Notes:

- The +WFM response only use alphabetical values for the <FtrID> parameter.
- For <FtrID> values with two digits (like 1x, 6x or 8x), the <mode> 0 value is not allowed. When a « xa » feature is enabled, enabling an other « xb » feature will automatically disable the « xa » feature.

For example, if the "MONO900" feature is enabled, if the "BI9001800" feature is activated, the "MONO900" feature gets automatically disabled.

- The HR and ECHO features have a particular behavior, due to historical reasons. The appropriate way to activate or deactivate this pair of features is to use the corresponding <FtrId>:

"HR"	HR only, no ECHO
"ECHO"	ECHO only, no HR
"NOHR_NOECHO"	Neither HR nor ECHO
"HR_ECHO"	Both HR and ECHO

AT Commands Interface Guide for 6.57 Release

- "MONO900", "MONO850", "MONO1800", "MONO1900", "BI9001900", "BI9001800", "BI8501900" and "QUADBAND" features are read-only. In order to change the Band selection use AT+WMBS command, see § 15.51.
- When the SIMREMOVE feature is enabled and if the SIM is removed, an unsolicited response +WIND: 0 is received and if the SIM is inserted an unsolicited response +WIND: 1 is received.
- When the SIMREMOVE feature is disabled and the hardware SIM detect pin is managed then the Wireless CPU behaves as when the hardware SIM detect pin is not managed (see 3.1).
- For WCPU with SimHolder integrated, SIMREMOVE feature is deactivated by default. If the SIM is removed or inserted, no WIND indication is received. Moreover the feature is locked, a +CME ERROR 3 is returned when AT+WFM=1, "SIMREMOVE" is executed.
- When the NOINTERRUPT feature is activated if the pin interrupt is set no action is taken.
- When the OFFWHENUNPLUG feature is activated if the pin interrupt is set an AT+CPOF is executed.
- When the INTERRUPT feature is activated, if the pin interrupt is set, an unsolicited response +WIND: 12 is received and the Open AT® customer application is resumed if it was previously suspended (see AT+WOPEN=5).
- When the SWITCHATT feature is activated the SWITCHATT algorithm is available to the AT+ECHO command.
- If feature SIM1V8ONLY, SIM1V8AND3V, SIM5VONLY or SIM3AND5V is used, the user must take care of **not using GPO0** pin for Q24x6, Q24 Extended, Q24 Plus, Q24 Auto, Q24 Classic products and of **not using GPO1** pin for Q2501 product: it is reserved for SIM level shifter.
- AMR feature is can only be activated for AMR product. If the AMR function is not available, its activation or deactivation has no effect and no ERROR response.

<status>

0: the <FtrID> feature is disabled

1: the <FtrID> feature is enabled

<resetFlag>

0: the feature has not been modified since the last boot of the product.

1: the feature has been modified since the last boot of the product; a reset must be performed to take the modifications into account.

Note: If a feature is reset to its initial value after a modification, the <resetFlag> parameter will be reset to 0.

AT Commands Interface Guide for 6.57 Release

15.36 Commercial Features Management +WCFM

15.36.1 Description

This command enables or disables Wavecom specific features. Disabling a feature can be done with no restriction, but a password is required to enable features.

Note: Once a feature successfully enabled or disabled, the product needs to be reset to take the modification into account.

15.36.2 Syntax

Command syntax AT+WCFM=<mode>,[<FtrMask>[,<Password>]]

Response syntax +WCFM: <FtrMask>,<resetFlag>

Command	Possible responses
AT+WCFM=0,"0A00" <i>Note: Disable some features</i>	OK
AT+WCFM=2 <i>Note: Display of the feature status</i>	+WCFM: 0A00,1 OK <i>Note: <resetFlag> parameter indicates if a reset is necessary</i> <i>A reset must be performed to take the modifications into account.</i>
AT+WCFM=2 <i>Note: Display of the feature status</i>	+WCFM: 0A00,0 OK <i>Note: <resetFlag> parameter indicates if a reset is necessary</i> <i>The feature has not been modified since the last boot of the product.</i>
AT+WCFM=1,"0003","1234567890ABCDEF1234567890ABCDEF1234567890ABCDEF" <i>Note: Enable features</i>	OK <i>Note: The features are enabled (the password is correct)</i>
AT+WCFM=1,"0050","1234567890ABCDEF1234567890ABCDEF1234567890ABCDEF1234567890ABCDEF1234567890ABCDEF" <i>Note: Enable features</i>	+CME ERROR: 3 <i>Note: Incorrect password</i>

AT Commands Interface Guide for 6.57 Release

15.36.3 Defined values

<mode>

- 0: disable some features of <FtrMask>
- 1: enable some features of <FtrMask>
- 2: display the features state

<FtrMask>: features mask

16 bits hexadecimal string (4 characters from 0 (zero) to 'F')

<PassWord>: Password

256 bits hexadecimal string (64 characters from 0 (zero) to 'F')

<resetFlag>

- 0: the feature has not been modified since the last boot of the product.
- 1: the feature has been modified since the last boot of the product; a reset must be performed to take the modifications into account.

Note: If a feature is reset to its initial value after a modification, the <resetFlag> parameter will be reset to 0.

15.37 Wavecom Customer storage mirror +WMIR

15.37.1 Description

This **specific** command allows to make a mirror copy of the current configuration parameters in the EEPROM. In case of memory problem for the storage, if a customer mirror already exists, this one will be restored. Otherwise, the Wavecom default mirrored parameters are restored.

Warning: this command should only be used on special advice from Wavecom support team.

15.37.2 Syntax

Command syntax AT+WMIR

Command	Possible responses
AT+WMIR=?	OK
AT+WMIR <i>Note: Build the Customer Mirror</i>	OK

AT Commands Interface Guide for 6.57 Release

15.37.3 Defined values

No parameter

15.38 Wavecom Change Default Player +WCDP

15.38.1 Description

This specific command allows the default melody player to be selected.

15.38.2 Syntax

Command syntax AT+WCDP = <player>

Command	Possible responses
AT+WCDP=?	+WCDP: (0-1) OK
AT+WCDP=0 <i>Note: Select the buzzer.</i>	OK
AT+WCDP?	+WCDP: 0 OK

15.38.3 Defined values

<player>

- 0: Buzzer
- 1: Speaker

AT Commands Interface Guide for 6.57 Release

15.39 Wavecom CPHS Mail Box Number: +WMBN

15.39.1 Description

This specific command sets the different mailbox numbers in SIM. The +CPHS command can be used to know which mailbox numbers can be updated.

15.39.2 Syntax

Command syntax AT+WMBN = <LineId>,<number>,<type>,<name>

Response syntax (to AT+CPHS=2,2)

+WMBN = <LineId>,<number>,<type>,<name>,<status>

Command	Possible responses
AT+WMBN=?	OK
AT+WMBN?	OK
AT+CPHS=2,2 <i>Note: Get the current Mail Box Numbers in SIM</i>	+WMBN: 1,"0123456789",129,"Maison",1 +WMBN: 2,"9876543210",129,"Travail",1 +WMBN: 3,,,,1 +WMBN: 4,,,,1 OK
AT+WMBN=1,"+33122334455",145 <i>Note: Set mailbox number for line1.</i>	OK <i>Note: Mailbox number for Line1 is set.</i>
AT+WMBN=2 <i>Note: Erase mailbox number & name for line2</i>	OK
AT+CPHS=2,2 <i>Note: Get the current Mail Box Numbers again</i>	+WMBN: 1,"+33122334455",145,,1 +WMBN: 2,,,,1 +WMBN: 3,,,,1 +WMBN: 4,,,,1 OK

AT Commands Interface Guide for 6.57 Release

15.39.3 Defined values

<Lineld>

- 1: Line 1
- 2: Line 2
- 3: Data
- 4: Fax

<number>: Phone number in ASCII format.

<type>: TON/NPI

(Type of address byte in integer format).

<name>: name of mailbox.

Notes:

- For the <name> parameter all strings starting with "80", "81" or "82" are considered in UCS2 format. See the APPENDIX E: Coding of Alpha fields in the SIM for UCS2. If a wrong UCS2 format is entered, the string is considered as an ASCII string.
- The AT command +WPCS affect the format of the Mailbox <name> entry.

<status>

When checked with "AT+CPHS=2,2", it indicates if the number can be updated or not:

- 0: Update is not possible
- 1: Update is possible

15.40 Wavecom Alternate Line Service: +WALS

15.40.1 Description

This specific command allows to set and to get the active line. The +CPHS command can be used to know which line is activated.

15.40.2 Syntax

Command syntax AT+WALS = <CmdType>[,<Lineld>]

Response syntax (to AT+CPHS=2,3)

+WALS = <Lineld>

AT Commands Interface Guide for 6.57 Release

Command	Possible responses
AT+WALS?	+WALS: 1 OK <i>Note: Display the current active line</i>
AT+WALS=?	+WALS: (0-1),(1-2) OK
AT+WALS = 0,1 <i>Note: Activate Line 1</i>	+WALS: 1 OK
AT+WALS = 0,2 <i>Note: Activate Line 2</i>	+CME ERROR: 3 <i>Note: When the ALS feature is not allowed</i>
AT+WALS = 1 <i>Note: Get the current activate Line</i>	+WALS: 1 <i>Note: Display the current active line</i>
AT+WALS = 1,2	+CME ERROR: 3 <i>Note: Syntax error</i>
AT+CPHS=0,3 <i>Note: Deactivation of ALS feature.</i>	OK Note: No effect.
AT+CPHS=2,3 <i>Note: Interrogate of ALS Feature</i>	+WALS: 1 <i>Note: Display the current active line</i> +CME ERROR: 3 <i>Note: in the case where the ALS feature is not allowed</i>

15.40.3 Defined values

<CmdType>

- 0: Set active line
- 1: Get active line

<Lineld>:

Only used for <CmdType> = 0

- 1: Line 1
- 2: Line 2

AT Commands Interface Guide for 6.57 Release

15.41 Wavecom Open AT® control command +WOPEN

15.41.1 Description

This **specific** command allows to start, stop, delete and get information about the current Open AT® embedded application.

This command also allows to erase the Open AT® flash objects storage place, and configure the Application & Data (A&D) storage place size. Please refer to the Open AT® development guides for more information.

15.41.2 Syntax

Command syntax AT+WOPEN=<Mode>[,<A&Dsize>]

Response syntax (according to mode):

+WOPEN: <Mode>[,<IntVersion>[<ExtVersion>]]

or +WOPEN: <Mode>,<A&DSize>,<OatSize>

Command	Possible responses
AT+WOPEN=?	+WOPEN: (0-6),(0-1344) OK
AT+WOPEN?	+WOPEN: 0 OK
AT+WOPEN=2 <i>Note: Get the Open-AT library versions</i>	+WOPEN: 2,"AT v03.01","AT v02.10" OK <i>Note : Open AT® version 2.10 application downloaded.</i>
AT+WOPEN=1	+CME ERROR: 541 <i>Note : since main versions do not match, the Open AT® application can not be started.</i>
AT+WOPEN=2 <i>Note: Get the Open-AT library versions.</i>	+WOPEN: 2, "AT v2.00", "AT v2.00" OK <i>Note: Open AT® v2.00 library version. An embedded application has been downloaded on this product.</i>
AT+WOPEN=3	OK <i>Note: The objects flash are erased</i>

AT Commands Interface Guide for 6.57 Release

Command	Possible responses
AT+WOPEN=1 <i>Note: Start the embedded application.</i>	OK +WIND: 3 <i>Note: Product reset in order to start the embedded application.</i>
AT+WOPEN = 3	+CME ERROR: 532 <i>Note: the embedded application is activated so the objects flash are not erased.</i>
AT+WOPEN = 4	+CME ERROR: 532 <i>Note: the embedded application is activated so it cannot be erased</i>
AT+WOPEN=0 <i>Note: Stop the embedded application.</i>	OK +WIND: 3 <i>Note: Product reset in order to stop the embedded application.</i>
AT+WOPEN=3	OK <i>Note: The objects flash are erased</i>
AT+WOPEN=4	OK <i>Note: the embedded application is erased</i>
AT+WOPEN=6	+WOPEN: 6,768,832 OK <i>Note: 768 Kbytes are reserved for the A&D storage place, and 832 for the Open AT® application.</i>
AT+WOPEN=6,1280	+CME ERROR: 550 <i>Note: The current Open AT® application size is too big to allow this new A&D storage place size.</i>
AT+WOPEN=6,768	+WOPEN: 6,768,832 OK <i>Note: no product reset (same size used)</i>
AT+WOPEN=6,900	+WOPEN: 6,960,640 OK +WIND: 3 <i>Note: Size updated according to the nearest flash sector sub-division ; Product reset in order to set the new A&D storage place size.</i>

AT Commands Interface Guide for 6.57 Release

Command	Possible responses
AT+WOPEN=6	+WOPEN: 6,960,640 OK <i>Note: 960 Kbytes are reserved for the A&D storage place, and 640 for the Open AT® application.</i>
AT+WOPEN=5 <i>Note: Suspend Open AT® tasks</i>	+CME ERROR: 3 <i>Note: The Open AT® application is not running</i>
AT+WOPEN=1 <i>Note: Start the embedded application.</i>	OK +WIND: 3 <i>Note: Product reset in order to start the embedded application.</i>
AT+WOPEN=5 <i>Note: Suspend Open AT® tasks</i>	OK
AT+WOPEN?	+WOPEN:5 OK

15.41.3 Defined values

<Mode>

0: Stop the Open AT® embedded application.

If the product was running, it resets.

1: Start the Open AT® embedded application.

If the product was stopped, it resets.

2: Get the Open AT® library versions.

3: Erase the objects flash of the Open-AT® embedded application.

4: Erase the Open AT® embedded application.

5: Suspend (in Wavecom software kernel) the Open AT® embedded application tasks.

6: If the <A&Dsize> parameter is used, configure the Application & Data storage size. Otherwise, display the current A&D storage place size and Open AT® application space size.

If the A&D storage place size has changed, the product resets.

AT Commands Interface Guide for 6.57 Release

Notes:

- For mode = 1: if the main version numbers returned by the AT+WOPEN=2 command do not match, the command will reply +CME ERROR: 541
- Mode = 3 and 4 are only available if Open AT[®] embedded application is stopped (AT+WOPEN=0).
- Open AT[®] embedded applications can be resumed with AT+WOPENRES command or the INTERRUPT feature (see +WCFM command).
- **Warning:** With Mode 6, any A&D size change will lead to this area format process (this process will take some seconds on start-up, before the "+WIND: 3" indication display (up to 1.5 second per 64 Kbytes flash sector size can be considered as a maximum) ; all A&D cells data will be erased).

<IntVersion>

ASCII string giving the internal Open AT[®] library version.

<ExtVersion>

ASCII string giving the external Open AT[®] library version.

Note: If no embedded application is loaded, the <ExtVersion> parameter does not appear.

<A&DSize> *usable only with <Mode> = 6*

[0 – 1344]: Kbytes size allocated for the Application & Data storage place (default value : 768 Kbytes).

Provided parameter value will be updated with the nearest flash sector sub-division (64 Kbytes). For example : if a 100 Kbytes size is required, a 128 Kbytes size will effectively be set.

<OATSize> *returned with <Mode> = 6*

Open AT[®] application reserved size (in Kbytes). This size is deducted from the <A&Dsize> one, since the whole available size for Open AT[®] and A&D storage places is 1600 Kbytes (<OATSize> + <A&Dsize> = 1600).

AT Commands Interface Guide for 6.57 Release

15.42 Wavecom Reset +WRST

15.42.1 Description

This **specific** command resets the Wireless CPU after the time specified by the <delay> parameter.

15.42.2 Syntax

Command syntax: AT+WRST = <Mode>,<Delay>

Response syntax: +WRST: <Mode>,<Delay>,<RemainTime>

Command	Possible responses
AT+WRST=?	OK
AT+WRST=0 <i>Note: Disable timer</i>	OK
AT+WRST=1,"001:03" <i>Note: Enable timer and set delay at 1 hour 3 minutes</i>	OK
AT+WRST?	+WRST: 1,"001:03","001:01" OK <i>Note: Timer activated to reset after 1 hour and 3 minutes. At this point, 1 hour and 1 minute remain before next reset.</i>

15.42.3 Defined values

<val1>:

0: timer reset is disabled

1: timer reset is enabled

<Delay>: sets the time before reset

Range "000:01"- "168:59" (format hhh:mm)

<RemainTime>: time before next reset

Range "000:01"- "168:59" (format hhh:mm)

AT Commands Interface Guide for 6.57 Release

15.43 Set Standard Tone +WSST

15.43.1 Description

This **specific** command allows to set/get the sound level of the Standard Tones.

15.43.2 Syntax

Command syntax: AT+WSST=[<sound level>][,<ring tone level>]

Command	Possible responses
AT+WSST=0 <i>Note: Set volume to Max.</i>	OK
AT+WSST=15 <i>Note: Set volume to Min.</i>	OK
AT+WSST=,5 <i>Note: Set ring tone level to 5</i>	OK
AT+WSST? <i>Note: get current standard tones sound level</i>	+WSST: 15,5 OK <i>Note: current standard tones level is 15 (mini.), and ring tone level is 5.</i>
AT+WSST=? <i>Note: supported parameters</i>	+WSST: (0-15),(0-15) OK

15.43.3 Defined values

<sound level>

Range [0 ; 15]

0: Maximum volume (default)

15: Minimum volume

<ring tone level>

Range [0 ; 15]

0: Maximum volume (default)

15: Minimum volume

AT Commands Interface Guide for 6.57 Release

15.44 Wavecom Location +WLOC

15.44.1 Description

This specific command can be used by the application to retrieve the following local information: MCC-MNC, LAC, CI, Network measurement, BCCH channel list, Timing Advance, Date and Time.

Two ways exist for the external application to get these information: on request of the application, or automatically by the Wireless CPU every x seconds (x has to be a multiple of 5 different from 0).

The location feature has to be activated to get information.

if the feature is not activated, "ERROR" is sent.

If the data are not valid at the requested time, the network measurement, BCCH list and Timing Advance cannot be displayed ("," is displayed instead).

15.44.2 Syntax

Command syntax: AT+WLOC =< mode > [,< time period/dump >]

AT+WLOC?

+WLOC: <mode>,<timeperiod>,<dump>

with <mode>:

0: no automatic mode

1: automatic mode

<timeperiod>, <dump>: See below.

Command	Possible responses
AT+WLOC=0 <i>Note: stops the display of local information</i>	OK
AT+WLOC=3,255 <i>Note: set the wished information to display (255 -> complete information)</i>	OK
AT+WLOC=1 <i>Note: displays once the local information</i>	+WLOC: 02f802,0006,7772,f13101b04cf51278 91138e95a846d160,8b49d08d0797c419e 272e10889a000009302170399020403c1 020a03c5020a03,00,010121111349ff OK

AT Commands Interface Guide for 6.57 Release

Command	Possible responses
AT+WLOC=2,6 <i>Note: 6 is not a multiple of 5</i>	+CME ERROR:3
AT+WLOC=2,10 <i>Note: displays OK then the current local information immediately for the first time and then every 10 seconds.</i>	OK +WLOC: 02f802,0006,7772,ed3001af4cf492780 b040889c74acc23,8b49d08d0797c419e272e1 0889a000009302160399020503c1020a03c5020 a03,00,010121111354ff +WLOC: 02f802,0006,7772,f02d01ae4cf41278 4b03c889c846dba5,8b49d08d0797c419e272e10889a000009302170399020403c1020a03c5020903,00,010121111404ff ...
AT+WLOC=? <i>Note: The feature "loca" is not activated</i>	+CME ERROR:3
AT+WLOC? <i>Note: The feature "loca" is not activated</i>	+CME ERROR:3
AT+WLOC=? <i>Note: The feature "loca" is activated</i>	OK
AT+WLOC? <i>Note: The location is not in mode automatic, the period value is set to 5 seconds, the configuration value is set to 255</i>	+WLOC: 0,5,255 OK
AT+WLOC? <i>Note: The location is in mode automatic, the period value is set to 10 seconds, the configuration value is set to 20</i>	+WLOC: 1,10,20 OK

AT Commands Interface Guide for 6.57 Release

15.44.3 Defined values

<mode>

- 0: Stop automatic shots
- 1: One shot requested
- 2: Automatic shots requested (every x seconds)
- 3: Configuration of the wished information

for <mode> = 2:

<time period> optional parameter –

Range: [5 - 255] – in seconds

It has to be a multiple of 5.

Default value of time period: 5 seconds

The automatic mode for location is saved in EEPROM, so will be taken into account after an Init (+WLOC:... will be displayed).

Fields of the response to AT+WLOC=1 or AT+WLOC=2:

The format of these fields are as specified in 04.08:

Parameter	Type
MCC-MNC	3 bytes
LAC	2 bytes
CI	2 bytes
Network measurement	16 bytes
BCCH channel list	Maximum 48 bytes (if version V0 of GSM Rec 11.14-800) Or 129 bytes (if version V1 of GSM Rec 11.14-800). The version number in indicated in TERMINAL PROFILE information in EEPROM. It is not user-customizable. It is configured at production-time.
Timing Advance	1 byte
Date and Time	7 bytes: Date, time and time zone at STLK Format

AT Commands Interface Guide for 6.57 Release

For mode = 3:

<dump> optional parameter

Range: [1-255] (at least 1 bit set to 1).

if bit 0 set to 1 (value 1): DaT will be returned in the response

if bit 1 set to 1 (value 2): TA will be returned in the response

if bit 2 set to 1 (value 4): BCCH will be returned in the response

if bit 3 set to 1 (value 8): NetMeas will be returned in the response

if bit 4 set to 1 (value 16): CI will be returned in the response

if bit 5 set to 1 (value 32): LAC will be returned in the response

if bit 6 set to 1 (value 64): MNC-MCC will be returned in the response

Notes:

- After having downloaded the EEPROM configuration: default value of <dump> is 0xFF (all information returned).
- The <dump> value set with the command "at+wloc= 3,xx" is saved in EEPROM, so it will be taken into account after an Init.
- See Appendix C for details on BCCH channel list.

15.45 Wavecom Bus Read +WBR

15.45.1 Description

This **specific** command allows to read a buffer from a specific bus (SPI, I2C Soft or Parallel).

Note: Bus configuration is set by the +WBM command.

15.45.2 Syntax

Command syntax: AT+WBR=<BusId>,<Size>[,<Address>[,<Opcode>]]

Response syntax: +WBR: <Data><CR><LF>

OK

AT Commands Interface Guide for 6.57 Release

Command	Possible responses
AT+WBR=0,9,"ABFF","C9" <i>Note: Read 9 bytes from the SPI bus, after having sent the 0xC9 Opcode byte and ABFF Address.</i>	+WBR: 0A5F98231012345678 OK
AT+WBR=1,5,"2A" <i>Note: Read 5 bytes from the I2C Soft bus, at the 0x2A slave address.</i>	+WBR: 0102030405 OK
AT+WBR=2,2,0 <i>Note: Read 2 bytes from the Parallel bus with the A2 pin set to 0.</i>	+WBR: A000 OK

15.45.3 Defined values

< BusId >

0: SPI bus.

1: I2C Soft bus.

2: Parallel bus.

<Size>: Size of data to read, in bytes (max 256 bytes).

<Address>

- For SPI bus:

On Q24X3 and P32X3 products:

Up to 2 address bytes as an ASCII hexadecimal string, usable only if the <opcode> byte is set.

If the address field is not used, the parameter must not be set (default).

On Q24X6, Q24 Classic, Q24 Extended, Q24 Auto, Q24 Plus and P32X6 products:

Up to 4 address bytes as an ASCII hexadecimal string.

If the <address> field is not used, the parameter must not be set (default).

- For Parallel bus:

0: set the A2 pin to 0 (default)

1: set the A2 pin to 1

- For I2C Soft bus:

Slave address byte, in hexadecimal format (default is 0x00).

This is a 7-bits address, shifted to left from 1 bit, padded with the LSB set to 1 (to read), and sent first on the I2C bus before performing the read operation.

AT Commands Interface Guide for 6.57 Release

<Opcode> (for SPI bus only)

On Q24X3 and P32X3 products:

Up to 1 opcode byte as an ASCII hexadecimal string.

If the <opcode> field is not used, the parameter must not be set (**default**).

On Q24X6, Q24 Classic, Q24 Extended, Q24 Auto, Q24 Plus and P32X6 products:

Up to 4 opcode bytes as an ASCII hexadecimal string.

If the <opcode> field is not used, the parameter must not be set (**default**).

15.46 Wavecom Bus Write +WBW

15.46.1 Description

This **specific** command allows to write a buffer on a specific bus (SPI, I2C soft or parallel).

Note: Bus configuration is set by the +WBM command.

15.46.2 Syntax

Command syntax: AT+WBW=<BusId>,<Size>[,<Address>]<CR>
<Data Buffer> <ctrl-Z >

Command	Possible responses
AT+WBW=0,10<CR> 0123456789ABCDEF0123<ctrl-Z> <i>Note: Write 10 bytes on the SPI bus.</i>	OK <i>Note: Data buffer is written on SPI bus.</i>
AT+WBW=1,5<CR> 0246801234<ctrl-Z> <i>Note: Write 5 bytes on the I2C Soft bus.</i>	OK <i>Note: Data buffer is written on I2C Soft bus.</i>
AT+WBW=2,2,0<CR> 434F<ctrl-Z> <i>Note: Write 2 bytes on the Parallel bus with the A2 pin set to 0.</i>	OK <i>Note: Data buffer is written on PARALLEL bus.</i>

AT Commands Interface Guide for 6.57 Release

15.46.3 Defined values

<BusId>

- 0: SPI bus.
- 1: I2C Soft bus.
- 2: Parallel bus.

<Size>: Size of data buffer, in bytes. (max. 256 bytes)

<Address>

- *For SPI bus:*
Not Used
- *For Parallel bus:*
0: set the A2 pin to 0 (**default**)
1: set the A2 pin to 1
- *For I2C Soft bus:*
Slave address byte, in hexadecimal format (**default "00"**).

This is a 7-bits address, shifted to left from 1 bit, padded with the LSB set to 0 (to write), and sent first on the I2C bus before performing the writing operation.

<Data Buffer>: Data buffer to write on the specific bus.

This parameter must only contain hexadecimal characters (0-9, A-F) **Its length must be twice the <Size> parameter.**

AT Commands Interface Guide for 6.57 Release

15.47 Wavecom Bus Management +WBM

15.47.1 Description

This **specific** command allows to manage specific buses (SPI, I2C Soft, Parallel) with a given configuration.

15.47.2 Syntax

- Command Syntax for SPI bus

AT+WBM=<BusId>,<Mode>,[<Clock_Speed>],[<Clock_Mode>],
[<ChipSelect>],[<ChipSelectPolarity>],[<LsbFirst>],
[<Gpio ChipSelect>],[<Gpio Handling>]

- Command Syntax for I2C bus

AT+WBM=<BusId>,<Mode>,[<Scl_Gpio>],[<Sda_Gpio>]

- Command Syntax for parallel

The parameters depend on ChipSelect configuration:

if CS is Gpio 5:

AT+WBM=<BusId>,<Mode>,[<Chip_Select>],[<Order>],[<Gpio_NbWaitState>]

if CS is LCD_EN

AT+WBM=<BusId>,<Mode>,[<Chip_Select>],[<Order>],
[<LCDEN_AddressSetupTime>],
[<LCDEN_SignalPulseDuration>],
[<LCDEN_PolarityControl>]

AT Commands Interface Guide for 6.57 Release

Command	Possible responses
AT+WBM=0,1,1,3,1,0,1 <i>Note: Open SPI bus with configuration: (on Q24X3 product) Clock Speed: 812 kHz Clock Mode: 3 ChipSelect: LCDEN ChipSelectPolarity: LOW LsbFirst: MSB</i>	OK
AT+WBM=1,1,0,4 <i>Note: Open I2C Soft bus with configuration: Scl Gpio: 0 Sda Gpio: 4</i>	OK
AT+WBM=2,1,0,1,10, 31,0 <i>Note: Open PARALLEL bus with configuration: (on P32X3 product) ChipSelect: LCDEN Order: Direct LcdenAddressSetUpTime: 10 LcdenSignalPulseDuration: 31 PolarityControl: low</i>	OK
AT+WBM=0,2	+WBM: 0,1,1,3,1,0,1,0,0 OK
AT+WBM=1,0 <i>Note: Close I2C bus.</i>	OK
AT+WBM=1,2	+WBM: 0,0,0,4 OK
AT+WBM=1,1 <i>Note: Open I2C Soft bus with the last configuration: Scl Gpio: 0 Sda Gpio: 4</i>	OK
AT+WBM = 1,2	+WBM: 1,1,0,4 OK

AT Commands Interface Guide for 6.57 Release

15.47.3 Defined values

<BusId>

- 0: SPI bus.
- 1: I2C bus.
- 2: Parallel bus. *(Only on Wireless CPU Pac products)*

<Mode>

- 0: close bus.
- 1: open bus.
- 2: get bus status.

15.47.3.1 for SPI bus

<Clock Speed>

Q24X3 and P32X3 products		Q24X6, Q24 Extended, Q24 Classic, Q24 Auto, Q24 Plus and P32X6 products	
Value	Frequency	Value	Frequency
0 (default)	101 kHz	0 (default)	13 MHz
1	812 kHz	1	6,5 MHz
2	1,625 MHz	2	4,33 MHz
3	3,25 MHz	3	3,25 MHz
		4	2,6 MHz
		5	2,167 MHz
		6	1,857 MHz
		7	1,625 MHz
		8	1,44 MHz
		9	1,3 MHz
		10	1,181 MHz
		11	1,083 MHz
		12	1 MHz
		13	926 kHz
		14	867 kHz
		15	812 kHz

AT Commands Interface Guide for 6.57 Release

<Clock Mode>

- 0: rest state is 0, the data is valid on rising edge (**default value**).
- 1: rest state is 0, the data is valid on falling edge.
- 2: rest state is 1, the data is valid on falling edge.
- 3: rest state is 1, the data is valid on rising edge.

<ChipSelect> (default 0)

0: GPIO (**default value**)

Note: See <GpioChipSelect> and <GpioHandling> parameters.

1: SPI_EN on Q24X3 and P32X3 products

Note:

on Q24X6, Q24 Extended, Q24 Classic, Q24 Auto and Q24 Plus products,

the SPI_EN pin is replaced by the GPO 3 output

(Gpio ChipSelect = 7, refer to +WIOM command)

on P32X6 product, the SPI_EN pin is replaced by the GPIO 8 output

(Gpio ChipSelect = 7, refer to +WIOM command)

2: SPI_AUX on Q24X3 and P32X3 products

Note: on Q24X6, Q24 Extended, Q24 Classic, Q24 Auto, Q24 Plus and

P32X6 products, the SPI_AUX pin is replaced by the GPO 0 output (Gpio ChipSelect = 6, please refer to the +WIOM command)

<ChipSelectPolarity>

- 0: LOW (Chip select signal is valid on low state). (**Default value**).
- 1: HIGH (Chip select signal is valid on high state)

<LsbFirst>

- 0: LSB (Data are sent with LSB first)
- 1: MSB (Data are sent with MSB first) (**default value**)

<Gpio ChipSelect > if ChipSelect = GPIO (default GPIO 0, see § 15.11.3)

The GPIO value is between 0 and 7.

It must be a GPIO or a GPO (**not a GPI**), and not allocated by any Open-AT embedded application.

Please refer to +WIOM command

<Gpio Handling > if ChipSelect = GPIO

- 0: SPI BYTE (GPIO signal pulse on each written or read byte)
- 1: SPI FRAME (GPIO signal works as a standard Chip Select signal) (**default value**)

AT Commands Interface Guide for 6.57 Release

15.47.3.2 for I2C bus:

<Scl Gpio> (default value: see table below)

The Scl GPIO value is between **0** and **7**.

It must be a GPIO (not a GPI or GPO) and not allocated by an Open-AT embedded application.

<Sda Gpio> (default value: see table below)

The Sda GPIO value is between **0** and **7**.

It must be a GPIO (not a GPI or GPO) and not allocated by an Open-AT embedded application.

AT Commands Interface Guide for 6.57 Release

Table of correspondence between Wireless CPU GPIO Pin Names and parameters values (<index>) for AT commands

Parameter value for AT Commands	Wireless CPU Quik Q2xx3 Pin Names	Wireless CPU Pac P3xx3 Pin Names	Wireless CPU Quik Q24X6 Pin Names	Wireless CPU Pac P32X6 Pin Names	Wireless CPU Pac P51x6 Pin Names	Wireless CPU Quik Q31x6 Pin Names	Wireless CPU Quik Q25xx Pin Names
0	GPIO 0 Used for Bluetooth MUX audio if activated	GPIO 0	GPIO 0	GPIO 0	GPIO 0	GPI	GPI
1	GPO 1 Used for Bluetooth if activated	GPI	GPO 1	GPI	GPIO 4	GPO 1	GPO 0
2	GPO 2	GPIO 2	GPO 2	GPIO 2	GPIO 5	GPO 2	GPO 1
3	GPI	GPIO 3	GPI	GPIO 3	GPIO 8	GPIO 3	GPO 2
4	GPIO 4 Used for Bluetooth MUX audio if activated	GPIO 4	GPIO 4	GPIO 4	GPIO 9	GPIO 4	GPO 3
5	GPIO 5	GPIO 5	GPIO 5	GPIO 5	GPIO 10	GPIO 5	GPIO 0
6	(no GPIO affected)	(no GPIO affected)	GPO 0	GPO 0	GPIO 11	GPIO 6	GPIO 1 Used for Bluetooth If Bluetooth activated
7	(no GPIO affected)	(no GPIO affected)	GPO 3	GPIO 8	GPIO 12	GPIO 7	GPIO 2 Used for Bluetooth MUX audio
8	(no GPIO affected)	(no GPIO affected)	(no GPIO affected)	(no GPIO affected)	GPO 0	(no GPIO affected)	GPIO 3 used for battery if at+whcnf=1,3 has been taped
9	(no GPIO affected)	(no GPIO affected)	(no GPIO affected)	(no GPIO affected)	GPO 1	(no GPIO affected)	GPIO 4 Used for Bluetooth MUX audio
10	(no GPIO affected)	(no GPIO affected)	(no GPIO affected)	(no GPIO affected)	(no GPIO affected)	(no GPIO affected)	GPIO 5
Allowed range	0,4-5	0,2,4-5	0,4-5	0,2-5,8	0-7	3-7	5-10
Scl GPIO default value	0	0	0	0	0	3	5
Sda GPIO default value	4	4	4	4	4	4	9

AT Commands Interface Guide for 6.57 Release

Parameter value for AT Commands	Wireless CPU Q24 Extended Pin Names	Wireless CPU Q24 Auto Pin Names	Wireless CPU Q24 Plus Pin Names	Wireless CPU Q24 Classic Pin Names
0	GPIO 0	GPIO 0	GPIO 0	GPIO 0
1	GPO 1	GPO 1	GPO 1	GPO 1
2	GPO 2	GPO 2	GPO 2	GPO 2
3	GPI	GPI	GPI	GPI
4	GPIO 4	GPIO 4	GPIO 4	GPIO 4
5	GPIO 5	GPIO 5	GPIO 5	GPIO 5
6	GPO 0	GPO 0	GPO 0	GPO 0
7	GPO 3	GPO 3	GPO 3	GPO 3
8	(no GPIO affected)	(no GPIO affected)	(no GPIO affected)	(no GPIO affected)
9	(no GPIO affected)	(no GPIO affected)	(no GPIO affected)	(no GPIO affected)
10	(no GPIO affected)	(no GPIO affected)	(no GPIO affected)	(no GPIO affected)
Allowed range	0,4-5	0,4-5	0,4-5	0,4-5
Scl GPIO default value	0	0	0	0
Sda GPIO default value	4	4	4	4

15.47.3.3 for Parallel bus (only on Pac products):

<ChipSelect> (default value is 1)

0: GPIO 5 (it must not be allocated by any Open-AT application)

1: LCDEN (same pin as SPI_EN, and Gpio 8 on P32X6 products (it must not be allocated by any Open-AT application))

<Order> (default value is 0)

0: DIRECT

1: REVERSE

<LCDEN AddressSetupTime> if ChipSelect = LCDEN (default value is 0)

The <Lcd AddressSetupTime> value is between 0 and 31.

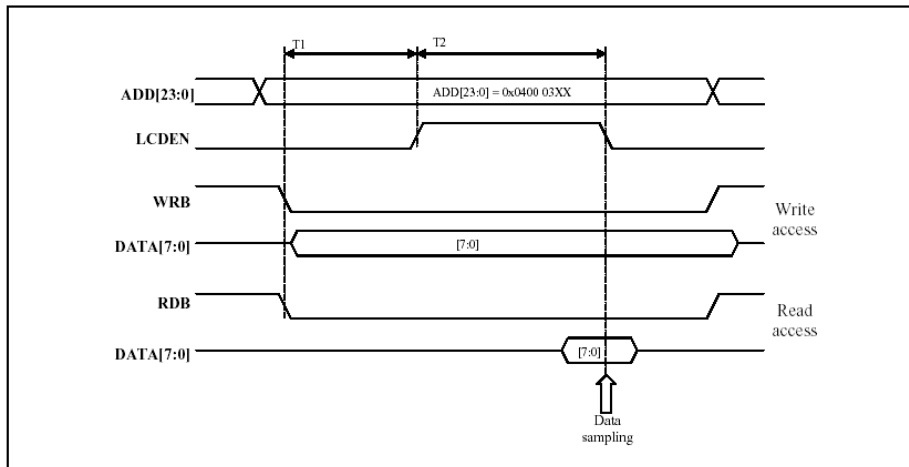
The resulting time is:

*For P32X3 product: (X * 38.5) ns ;*

*For P32X6 product: (1 + 2 X) * 19 ns.*

This is the time between the setting of an address on the bus, and the activation of the LCD_EN pin (T1 on the figure bellow).

AT Commands Interface Guide for 6.57 Release



<LCDEN SignalPulseDuration> if ChipSelect = LCDEN (default value is 0)

The **<Lcd LcdenSignalPulseDuration>** value is between **0** and **31**.

The resulting time is:

*For P32X3 product: $(X + 1.5) * 38.5$ ns ;*

*For P32X6 product: $(1 + 2 * (X + 1)) * 19$ ns*

(Warning, for this product, the 0 value is considered as 32).

This is the time during which the LCD_EN signal is valid (T2 on the figure above).

<LCDEN PolarityControl> if ChipSelect = LCDEN (default value is 0)

0: LOW (LCD_EN signal is valid on low state)

1: HIGH (LCD_EN signal is valid on high state)

<GPIO NbWaitState> if ChipSelect = GPIO (default value is 1)

This is the time during which the data is valid on the bus.

0: 62 ns

1: 100 ns

2: 138 ns

3: 176 ns

AT Commands Interface Guide for 6.57 Release

Notes:

- If one or two IOs are needed by a bus, they are not available any more for the +WIOR , +WIOW, +WIOM commands. When the corresponding bus is closed, these commands resume the control of the IOs.
- A bus may not be available for an open operation if an Open AT® embedded application has opened it before with the same parameters. In this case, the +WBM command will return +CME ERROR: 3.

15.48 Wavecom Hang-up +WATH

15.48.1 Description

This **specific** command is used by the application to disconnect the remote user, specifying a release cause and the location. In the case of multiple calls, all calls are released (active, on-hold and waiting calls).

15.48.2 Syntax

Command Syntax AT+WATH=<RelCause>,<location>

Command	Possible responses
AT+WATH=31 <i>Note: Ask for disconnection with release cause=normal and location=USER</i>	OK <i>Note: Every call, if any, are released</i>
AT+WATH=?	+WATH: (1-127),(0-5,7,10) OK
AT+WATH=17,2 <i>Note: Ask for disconnection with release cause=user busy and location= public network serving the local user</i>	OK <i>Note: Every call, if any, are released</i>

AT Commands Interface Guide for 6.57 Release

15.48.3 Defined values

<RelCause>: decimal value from 1 to 127 (see the table in appendix 18.4 "Failure Cause from GSM 04.08 recommendation)

<location>: optional parameter (default value =0). values as defined in 04.08

0: user

1: private network serving the local user

2: public network serving the local user

3: transit network

4: public network serving the remote user

5: private network serving the remote user

7: international network

10: network beyond inter-working point

Note: In order to have a "Normal Release", use ATH command (see paragraph 15.48)

15.49 Write IMEI +WIMEI

15.49.1 Description

The download of the IMEI is available through this **specific** command. This operation is possible only if the Wireless CPU contains the default IMEI.

The IMEI can only be downloaded once.

No password is needed. If the download is not correct, only Wavecom can reset the IMEI.

AT Commands Interface Guide for 6.57 Release

15.49.2 Syntax

Command syntax AT+WIMEI=<IMEI>

Command	Possible responses
AT+WIMEI? <i>Note: Request IMEI</i>	+WIMEI: 123456789012345 OK <i>Note: Default IMEI present in EEPROM</i>
AT+WIMEI=123456789099998 <i>Note: First Download on 15 digits</i>	OK
AT+CGSN Get stored IMEI	123456789099998 OK
AT+WIMEI=35282000000005 <i>First Download on 14 digits</i>	OK
AT+CGSN <i>Get stored IMEI</i>	352820000000054 OK
AT+WIMEI=12345 <i>Note: First Download with wrong length of the string: length too short.</i>	+CME ERROR: 3
AT+WIMEI=123456789999996111151 <i>Note: First Download with wrong length of the string: length too long</i>	+CME ERROR: 24
AT+WIMEI=123456789999996 <i>Note: Try to overwrite a correct IMEI already downloaded</i>	+CME ERROR: 3
AT+WIMEI=123456789999996 <i>First Download on 15 digits</i> Bad CD (Check Digit) for IMEI on 15 digits	+CME ERROR: 3
AT+WIMEI? <i>Note: Request IMEI</i>	+WIMEI: 123456789099995 OK <i>Note: IMEI present in EEPROM</i>
AT+WIMEI=?	OK <i>Note: Command valid</i>

AT Commands Interface Guide for 6.57 Release

15.49.3 Defined values

<IMEI>: 14 or 15 digits as defined by GSM 03.03.

15.50 Write IMEI SVN: +WSVN

15.50.1 Description

The update of the IMEI SVN is available through this **specific** command.

15.50.2 Syntax

Command syntax: AT+WSVN=<IMEISVN>

Command	Possible responses
AT+WSVN? <i>Note: Request IMEI SVN</i>	+WSVN: 10 OK <i>Note: IMEI SVN present in EEPROM</i>
AT+WSVN=11 <i>Note: Update the IMEI SVN</i>	OK
AT+WSVN=99	+CME ERROR: 24 <i>Note: wrong length of the string.</i> <i>1 <= IMEI SVN <= 98</i>
AT+WSVN=?	+WSVN: (1-98) OK

15.50.3 Defined values

<IMEI SVN> IMEI SVN value between 1 and 98
integer type

AT Commands Interface Guide for 6.57 Release

15.51 Wavecom multi-band selection command: +WMBS

15.51.1 Description

This command allows to select the GSM bands on which the Wireless CPU has to work. This command is allowed only if the selected bands are supported.

The user can choose if the change is immediate or not:

- either the Wireless CPU has to be reset to take this change into account (this is the default case)
- or the GSM stack restarts immediately on the specified band(s). In this mode, the command +WMBS is forbidden during the initialization phase of the modem and during calls.

15.51.2 Syntax

Command syntax: AT+WMBS=<Band>[,<param>]

Response syntax: +WMBS: <Band>,<ResetFlag>

Command	Possible responses
AT+WMBS=<Band>	OK <i>Note: Wireless CPU has to be reset for change to be effective.</i>
AT+WMBS=<Band>,0	OK <i>Note: Wireless CPU has to be reset for change to be effective.</i>
AT+WMBS=<Band>,1	OK <i>Note: Band mode selected and GSM stack restarted.</i>
AT+WMBS=<Band>	+CME ERROR: 3 <i>Note: Band not allowed</i>
AT+WMBS?	+WMBS: <Band>,<ResetFlag> OK <i>Note: current selected band mode is returned</i>
AT+WMBS=?	+WMBS: (0,3,4),(0-1) OK <i>Note: Only 850 mono-band or 850-1900 bi-band are available</i>
AT+WMBS=?	+WMBS: (0,1,2,3,4,5,6),(0-1) OK <i>Note: all bands are available</i>

AT Commands Interface Guide for 6.57 Release

15.51.3 Defined values

<Band>: frequency band configuration to be supported

- 0: mono-band mode 850 MHz
- 1: mono-band mode 900 extended MHz (900E)
- 2: mono-band mode 1800 MHz
- 3: mono-band mode 1900 MHz
- 4: dual-band mode 850/1900 MHz
- 5: dual-band mode 900E (extended) / 1800 MHz
- 6: dual-band mode 900E (extended) / 1900 MHz

<Param>: indicates the type of change

- 0: The Wireless CPU will have to be reset to start on specified band(s). <ResetFlag> is set to 1.
- 1: The change is effective immediately: the GSM stack is restarted with specified band(s). <ResetFlag> stays at 0. This mode is forbidden while in communication and during modem initialization.

Note: If <Param> is not given, the Wireless CPU has to be reset to start on specified band(s), as for <param>=0.

<ResetFlag>

- 0: the feature was not modified since the last boot of the product.
- 1: the feature has been modified since the last boot of the product: it has to be reset in order to take the modification into account. This is the case when the band was changed with "AT+WMBS=<band>" or "AT+WMBS=<band>,0".

15.52 Wireless CPU Serial Number +WMSN

15.52.1 Description

This specific command returns the serial number of the Wireless CPU.

15.52.2 Syntax

Command syntax: AT+WMSN

AT Commands Interface Guide for 6.57 Release

Command	Possible responses
AT+WMSN	Serial Number 123456789012345 OK <i>Note: Serial number present in Non Volatile Memory is 123456789012345 (On 15 digits)</i>
AT+WMSN	Serial Number ----- OK <i>Note: No serial number present in Non Volatile Memory</i>
AT+WMSN=?	OK

15.52.3 Defined values

No parameters.

15.53 Cellular Text telephone Modem +WCTM

15.53.1 Description

This command allows to activate and deactivate Cellular Text telephone Modem (CTM) capability for outgoing voice call as specified in GSM 04.08 (3GPP 24.008).

CTM mode is used to send audio signals from an external text terminal (ex: a TTY typewriter) within a voice call made by the ME. The text terminal must have a special mobile phone input/output to work correctly.

When the ME indicates support of CTM text telephony for an outgoing voice call, the network shall select a speech CODEC and additionally CTM text telephony detection and conversion functions.

To guaranty optimal audio management of CTM signals, it is mandatory to deactivate Acoustic Echo Cancellation (see Echo Cancellation +ECHO command) and Side Tone (see Side Tone modification +SIDET command).

Voice gain of transmitter and receiver (see Gain control +VGR, +VGT commands) have to be calibrated according to the external text terminal audio characteristics.

AT Commands Interface Guide for 6.57 Release

15.53.2 Syntax

Command Syntax: AT+WCTM=<mode>

Command	Possible responses
AT+WCTM=1	OK +CME ERROR: <error>
AT+ WCTM?	+WCTM:1 OK
AT+WCTM=?	+WCTM: (0-1) OK

15.53.3 Defined values

<mode>: integer type

- 0 Deactivate CTM mode
- 1 Activate CTM mode

Note: If <mode> is set to 0, all incoming CTM calls will be rejected. Caller will receive a « No carrier » indication.

15.54 Modem Behavior Configuration +WBHV

15.54.1 Description

This command allows the user to configure the behavior of Wavecom modem.

If first parameter value is 0, the command configures the way the modem responds on outgoing voice calls: when the call is established (default mode), or when the audio path is opened.

If first parameter value is 1, the command configures the modem init mode : normal, powerless (airplane mode) or low consumption. In the powerless case, no calls (even emergency calls) are available.

If parameter1 = 2, the Wireless CPU will respond immediately OK after a dial (ATD command).

If first parameter value is 3, the command is used to activate/deactivate ENS feature.

Note: If parameter 1=3 new setting will be taken into account only after a Wireless CPU reset. To be able to activate ENS Feature, a STK session must be open (at+stsf=1), otherwise +CME ERROR: 3 occurs.

AT Commands Interface Guide for 6.57 Release

15.54.2 Syntax

Command syntax: AT+WBHV = <parameter1>[,<parameter2>]

Response syntax:

If there is no parameter2 in the command:

+WBHV:<parameter1>,<parameter2>[,<resetFlag>]

Command	Possible responses
AT+WBHV=0,0 <i>Note: Set modem response to default mode</i>	OK <i>Note: modem response is sent on call establishment</i>
AT+WBHV=0,1 <i>Note: Set modem response when audio path is opened</i>	OK <i>Note: modem response is sent on audio path opened</i>
AT+WBHV=0 <i>Note: interrogate modem respond mode</i>	+WBHV : 0,1 OK
AT+WBHV=1,0 <i>Note: Modem normal (and default) mode</i>	OK
AT+WBHV=1,1 <i>Note: Modem powerless mode</i>	OK
AT+WBHV=1,2 <i>Note: Low consumption mode</i>	OK
AT+WBHV=1 <i>Note: interrogate modem init mode</i>	+WBHV: 1,2 OK
AT+WBHV=2,0 <i>Note: normal modem respond mode on a call</i>	OK
AT+WBHV=2,1 <i>Note: modem responds mode on a call : OK just after +WIND : 5,x indication</i>	OK
AT+WBHV=2 <i>Note: interrogate modem call respond mode</i>	+WBHV: 2,1 OK
AT+WBHV=3,0 <i>Note: Deactivate ENS feature. The feature will be deactivated after reset</i>	OK
AT+WBHV=3,1 <i>Note: Activate ENS feature. The feature will be activated after reset</i>	OK <i>Note: OK if STK session already open, else +CME ERROR: 3</i>

AT Commands Interface Guide for 6.57 Release

Command	Possible responses
AT+WBHV=3 <i>Note: interrogate ENS feature mode</i>	+WBHV : 3,1,1 <i>Note: third parameter <1> indicates a Wireless CPU reset is needed</i>
AT+WBHV?	+WBHV: 0,0 +WBHV: 1,0 +WBHV: 2,0 +WBHV: 3,1,1 OK <i>Note: third parameter <1> indicates a Wireless CPU reset is needed</i>
AT+CFUN=1	OK
AT+WBHV=3	+WBHV: 3,1,0 OK <i>Note: third parameter <0> indicates a Wireless CPU reset is not needed</i>
AT+WBHV?	+WBHV: 0,0 +WBHV: 1,0 +WBHV: 2,0 +WBHV: 3,1,0 OK <i>Note: third parameter <0> indicates a Wireless CPU reset is not needed</i>
AT&F <i>Note: Restore factory settings</i>	OK
AT+WBHV=3	+WBHV: 3,0,1 OK <i>Note: third parameter <1> indicates a Wireless CPU reset is needed since ENS feature before AT&F was 1</i>

AT Commands Interface Guide for 6.57 Release

Command	Possible responses
AT+WBHV=?	+WBHV: 0,(0-1) +WBHV: 1,(0-2) +WBHV: 2,(0-1) +WBHV: 3,(0-1),(0-1) OK
AT+WBHV=2,3 <i>Note: Illegal parameters</i>	+CME ERROR:3 <i>Note: Wrong parameters</i>

15.54.3 Defined values

<parameter1>: mode, [0 ; 1]

0: configure modem response on outgoing voice calls (default value)

<parameter2>: modem response sending

0: modem response is sent on call establishment (default value)

1: modem response is sent when audio path is opened

1: configure modem mode

<parameter2>: modem init mode

0: modem init mode is normal (default value)

1: modem init mode is powerless (airplane mode: start the Wireless CPU without the GSM stack, no calls are available, even emergency)

2: modem init mode is low consumption

2: configure the response delay for a call

<parameter2>: modem response mode on a call

0: response when the remote part hangs up (default value)

1: OK will be displayed immediately after the ATD command

3: configure ENS feature

<parameter2>: activate/deactivate ENS feature

0: deactivate ENS feature

1: activate ENS feature

Note: A reset must be done to take into account the modification. A STK session must be open before activate ENS feature otherwise a +CME ERROR: 3 occurs.

AT Commands Interface Guide for 6.57 Release

<resetFlag>: only used if parameter1=3

0: ENS feature has not been modified since the last boot of the product.

1: ENS feature has been modified since the last boot of the product; a reset must be performed to take the modifications into account.

Note: If a feature is set back to its initial value between two resets, the <resetFlag> is equal to 0 (see more examples in Appendixes to AT Commands Interface Guide for 6.57 release (WM_ASW_OAT_UGD_00044.), paragraph 2.10.

Parameter1 value	Parameter2 value	Meaning
0	0	Modem response is sent on call establishment (default)
0	1	Modem response is sent when audio path is opened
0	none	Interrogate modem respond mode
1	0	Modem normal mode (default)
1	1	Modem powerless mode (Airplane Mode)
1	2	Low Consumption mode
1	none	Interrogate modem init mode
2	0	Call response (default)
2	1	Quick call response
2	none	Interrogate modem call respond mode
3	0	Deactivate ENS feature
3	1	Activate ENS feature
3	none	Interrogate ENS feature mode

AT Commands Interface Guide for 6.57 Release

15.55 Hardware Configuration AT+WHCNF

15.55.1 Description

This command allows to change some hardware configuration.

This command allows to change configuration of v24 (V24-RI & v24-DCD) to SPI (SPI-CLOCK & SPI-IO). **This feature is available only on P5186 product.**

Note: At start-up, the Wireless CPU uses the last configuration. There is no need to perform an explicit saving of this parameter. Default configuration is V24.

This command allows to set off or switch off the battery charge on Q2501B Wireless CPU.

15.55.2 Syntax

Command syntax: AT+WHCNF = <type>,<mode>[,<param1>]

Command	Possible responses
AT+ WHCNF=0,0 <i>Note: Read info about V24-RI & v24-DCD and SPI-CLOCK & SPI-IO</i>	+WHCNF: 0 OK <i>Note: V24-RI & v24-DCD are available</i>
AT+ WHCNF=0,1,1 <i>Note: Change state to SPI-CLOCK & SPI-IO</i>	OK <i>Note: SPI-CLOCK & SPI-IO are available</i>
AT+ WHCNF=3,0 <i>Note: The Battery charge on Q25 is not allowed</i>	OK
AT+ WHCNF=3,1 <i>Note: The Battery charge on Q25 is allowed</i>	OK
AT+ WHCNF?	OK
AT+ WHCNF=?	OK

AT Commands Interface Guide for 6.57 Release

15.55.3 Defined values

<type>

- 0: V24-RI & v24-DCD or SPI-CLOCK & SPI-IO
- 1: Reserved for internal use.
- 2: Reserved for internal use.
- 3: Battery charge on Q25

<mode>

For Type = 0

- 0: read information about V24-RI & v24-DCD and SPI-CLOCK & SPI-IO
- 1: change state between (V24-RI & v24-DCD) and (SPI-CLOCK & SPI-IO)

For Type = 3 :

- 0: disable the Battery charge on Q2501B Wireless CPU
- 1: enable the Battery charge on Q2501B Wireless CPU

Note: A reset must be done to take into account the modification.

<param1>

For Type = 0

- 0: V24-RI & v24-DCD active (*default value*)
- 1: SPI-CLOCK & SPI-IO active
- 1: Open USB port

AT Commands Interface Guide for 6.57 Release

15.56 Multi-flow Management +WMFM

15.56.1 Description

This command manages Multi-Flows: activating or deactivating ports and associating (or attaching, redirecting) incoming data to ports. By default, only UART1 is active, and GSM and GPRS (if applicable) data direction is dynamic.

Notes:

- Since the UART2 port does not provide all the serial signals (only RX/TX/RTS/CTS ones), it is not recommended to use this port for GSM or GPRS data mode.
- On Q2501 Wireless CPU, UART2 port is not available when GPS mode is active.
- The response to AT+WMFM=? is dynamic according to the different uart states for <type_of_action>=1 (depending on which port number is opened when the command is sent to the Wireless CPU).
- The UART2 port is not available when the Bluetooth stack is started

15.56.2 Syntax

Command syntax:

AT+WMFM = <type_of_action>,<mode>[,<port_id>[,<data>]]

AT+WMFM = 0,<mode>[,<port_id>]

AT+WMFM = 1,<mode>[,<port_id>[,<data>]]

Response syntax:

+WMFM: 0,<mode>[,<port_id>,<state>]

+WMFM: 1,<mode>[,<port_id>[,<data>]]

Command	Possible responses
AT+WMFM=0,2 <i>Note: read state of all ports</i>	+WMFM:0,2,1,0 +WMFM:0,2,2,1 OK <i>Note: UART2 is activated ; all ports are listed</i>
AT+WMFM=0,0,2 <i>Note: deactivate UART2</i>	OK <i>Note: UART2 is deactivated</i>
AT+WMFM=0,1,1 <i>Note: activate UART1</i>	OK <i>Note: UART1 is activated</i>

AT Commands Interface Guide for 6.57 Release

Command	Possible responses
AT+WMFM=0,2,1 <i>Note: read UART1's state</i>	+WMFM:0,2,1,1 OK <i>Note: UART1 is activated</i>
AT+WMFM=1,2 <i>Note: read attachments of ports to which data are redirected</i>	+WMFM:1,2,2,0 +WMFM:1,2,2,1 OK <i>Note: GSM and GPRS data are attached to UART2 ; only ports with attachments are displayed</i>
AT+WMFM=1,0,,0 <i>Note: set GSM data dynamic mode</i>	OK <i>Note: GSM data are directed dynamically on call setup</i>
AT+WMFM=1,0,,1 <i>Note: set GPRS data dynamic mode</i>	OK <i>Note: GPRS data are directed dynamically on session setup</i>
AT+WMFM=1,1,1,0 <i>Note: attach GSM data to UART1</i>	OK <i>Note: GSM data are redirected to UART1</i>
AT+WMFM=1,1,1,1 <i>Note: attach GPRS data to UART1</i>	OK <i>Note: GPRS data are redirected to UART1</i>
AT+WMFM=1,1,80,0 <i>Note: attach GSM data to UART1</i>	+CME ERROR: 3 <i>Note: only possible from Open AT application</i>
AT+WMFM=1,1,80,1 <i>Note: attach GPRS data to UART1</i>	+CME ERROR: 3 <i>Note: only possible from Open AT application</i>
AT+WMFM=1,2,1 <i>Note: read attachments of UART1</i>	+WMFM:1,2,1,0 +WMFM:1,2,1,1 OK <i>Note: GSM and GPRS data are redirected to UART1</i>

AT Commands Interface Guide for 6.57 Release

Command	Possible responses
AT+WMFM? <i>Note: read all states and attachments</i>	+WMFM:0,2,1,1 +WMFM:0,2,2,0 +WMFM:1,2,1,0 +WMFM:1,2,1,1 OK <i>Note: UART1 is activated and GSM and GPRS data are redirected to it</i>
AT+WMFM=?	+WMFM: 0,(0-2),(1-2) +WMFM: 1,(0-2),(1,2),(0,1) OK <i>Note: To manage incoming data, only uart 1 and 2 are available</i>
AT+WMFM=?	+WMFM: 0,(0-2),(1-2) +WMFM: 1,(0-2),(1,21,22,23,24),(0,1) OK <i>Note: To manage incoming data, uart 1 and DLC 1, 2, 3, 4 on uart 2 are available (27.010 MUX mode)</i>
AT+WMFM=1,1,21,0 <i>Note: attach GSM data to DLC 1 on uart 2 (27.010 MUX mode)</i>	OK

AT Commands Interface Guide for 6.57 Release

15.56.3 Defined values

<type_of_action>	0: managing actives physical ports 1: managing incoming data
<mode>	According to <type_of_action> 0: deactivates or sets dynamic mode (data direction is set on ATD / ATA commands for GSM, or ATD / AT+CGDATA commands for GPRS) 1: activates or attach 2: read state
< port_id >	1: UART1 (default value with type_of_action=0) 1x : Dlc x on UART 1 (x : from 1 to 4) 2: UART2 2x : Dlc x on UART 2 (x : from 1 to 4) 3 : USB (if USB is supported) 4: Dynamic port (only in read mode, default value with type_of_action=1) 80: Open AT® application
< data >	0: GSM data 1: GPRS data
< state >	0: deactivated (default value for other <port id> values) 1: activated (default value for default <port id> value)

Note: You can only open or close the remote UART (you can't close the UART 1 sending the WMFM command through UART 1)

Note: When a port Id allocated for incoming data is closed, the management returns to dynamic mode!

AT Commands Interface Guide for 6.57 Release

Example:

Open UART 2 :	AT+WMFM=0,1,2 OK
Attach GSM data on uart 2 :	AT+WMFM=1,1,2,0 OK
Ask the current values :	AT+WMFM? +WMFM: 0,2,1,1 +WMFM: 0,2,2,1 +WMFM: 1,2,2,0 → data on uart 2 +WMFM: 1,2,4,1 OK
Close UART 2 :	AT+WMFM=0,0,2 OK
Ask the current values :	AT+WMFM? +WMFM: 0,2,1,1 +WMFM: 0,2,2,1 +WMFM: 1,2,4,0 → dynamic mode +WMFM: 1,2,4,1 OK

15.57 Open AT® tasks resume command +WOPENRES

15.57.1 Description

This **specific** command allows to resume the suspended Open AT® embedded application.

Note: This command is only available if the Open AT® feature is enabled (see +WCFM command).

AT Commands Interface Guide for 6.57 Release

15.57.2 Syntax

Command syntax AT+WOPENRES

Command	Possible responses
AT+WOPENRES	OK <i>Note: The Open AT® embedded application is suspended</i>
AT+ WOPENRES =?	OK

15.58 Wavecom Autodiag +WDIAG

15.58.1 Description

This **specific** command is the principal command for the Wireless CPU auto diagnostic. Type of diagnostic can be specified and all associated parameters. In first time, only ADC diagnostic is available.

Important note: Unsolicited responses for self diagnostic are only returned through one port. If these responses are already activated on a port and if the activation is made on another port, the command will return +CME ERROR: 552 specific error.

15.58.2 Syntax

Command syntax:

With type = 0

AT+WDIAG=<type>,<mode>,[<freq>,<trig1>,<trig2>,<trig3>,<trig3_freq>]

Response syntax: OK or +CME ERROR: <err>

AT Commands Interface Guide for 6.57 Release

Command	Possible responses
AT+WDIAG=0,1,0,3000,4000,0 <i>Note: ADC autodiag start in "best effort" for a min and a max trig.</i>	OK <i>Note: Done</i>
AT+WDIAG? <i>Note: current value</i>	+WDIAG: 0,1,0,3000,4000,0,0 OK <i>Note: Done</i>
AT+WDIAG=0,1,60,0,0,50,0 <i>Note: ADC autodiag start with a 60s frequency for a delta trig.</i>	OK <i>Note: Done</i>
AT+WDIAG? <i>Note: current values</i>	+WDIAG: 0,1,60,0,0,50,0 OK <i>Note: Done</i>
AT+WDIAG=0,0 <i>Note: ADC autodiag stop</i>	OK <i>Note: Done</i>
AT+WDIAG? <i>Note: current values</i>	+WDIAG: 0,0,60,0,0,50,0 OK <i>Note: Done</i>
AT+WDIAG=? <i>Note: possible values</i>	+WDIAG: (0-1),(0-1),(0-3600),(0-8000),(0-8000),(0-8000),(0-2) OK <i>Note: Done</i>
AT+WDIAG=0,1,60,0,0,0,0 <i>Note: No trig action</i>	+CME ERROR: 3
AT+WDIAG=0,1,10,9000,0,0,0 <i>Note: out of range</i>	+CME ERROR: 3
AT+WDIAG=0,1,0,3000,4000,0 <i>Note: ADC autodiag start in "best effort" for a min and a max trig.</i>	OK <i>Note: Done</i>
AT+WDIAG=0,1,0,3000,4000,0 <i>Note: Unsolicited responses for autodiag are already activated <u>on</u> another port.</i>	+CME ERROR: 552

AT Commands Interface Guide for 6.57 Release

15.58.3 Defined values

<type>

- 0: Battery Voltage autodiag
- 1: ADC Auxiliary autodiag

<mode>

- 0: Stop autodiag
- 1: Start autodiag

With type = 0 or 1

<freq> : Number of ADC reading

- 0: Best effort (approximately 50 value per second) (default)
- 1: n (multiple of 1 second, 3600 (1 hour) maximum)

<trig1> : Min value for trigger action in mV (0 = no min value trig, 8000 is maximum)

<trig2> : Max value for trigger action in mV (0 = no max value trig, 8000 is maximum)

<trig3> : Delta value for trigger action in mV (0 = no delta value trig, 8000 is maximum)

<trig3_freq> : The delta value is calculated on n last value

- 0: 5 last values (default)
- 1: 10 last values
- 2: 20 last values

Note:

Values upper 4650 mV are not used

After a +WBCI=0 indication (minimum battery level reached), the autodiag is stopped.

15.59 Unsolicited result : Wavecom Autodiag +WDIAGI

15.59.1 Description

This unsolicited indication returns information about auto diagnostic. In first time, only ADC diagnostic is available.

AT Commands Interface Guide for 6.57 Release

15.59.2 Syntax

Unsolicited response syntax: +WDIAGI: <type>,<indication>,[<value>]

15.59.3 Defined values

<type>

0: ADC autodiag

With type = 0

<indication>

0: value (no available in best effort mode)

1: ADC value is under the minimum trigger value (trig1)

2: ADC value is upper the minimum trigger value (trig1) (only after a minimum under indication)

3: ADC value is upper the maximum trigger value (trig2)

4: ADC value is under the minimum trigger value (trig2) (only after a maximum upper indication)

5: The delta between two value is more important than delta trigger value (trig3)

<value> :

For <indication> = 0 <value> is equal to ADC value in mV

For <indication> = 2 and 4 <value> is equal to the minimum or maximum ADC value in mV

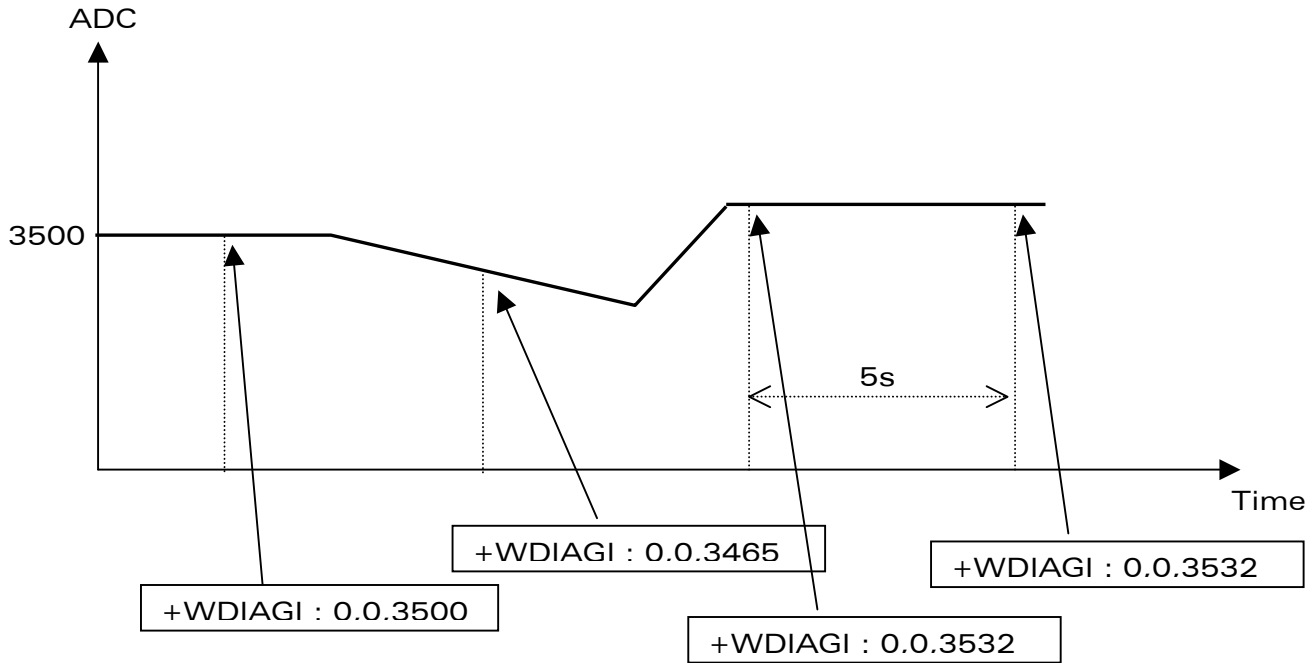
For <indication> = 5 <value> is equal to the ADC delta in mV

AT Commands Interface Guide for 6.57 Release

Examples:

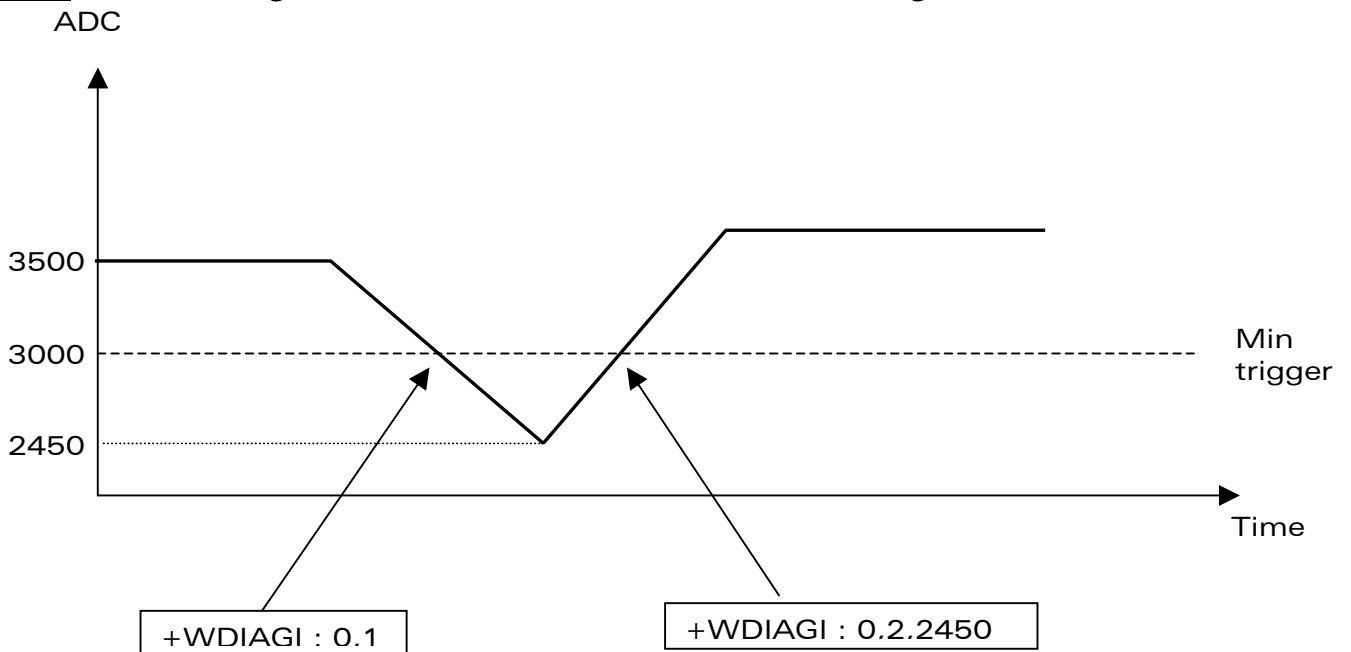
AT+WDIAG=0,1,5,0,0,0,0

Note: ADC autodiag start with a 5s frequency.



AT+WDIAG=0,1,0,3000,0,0,0

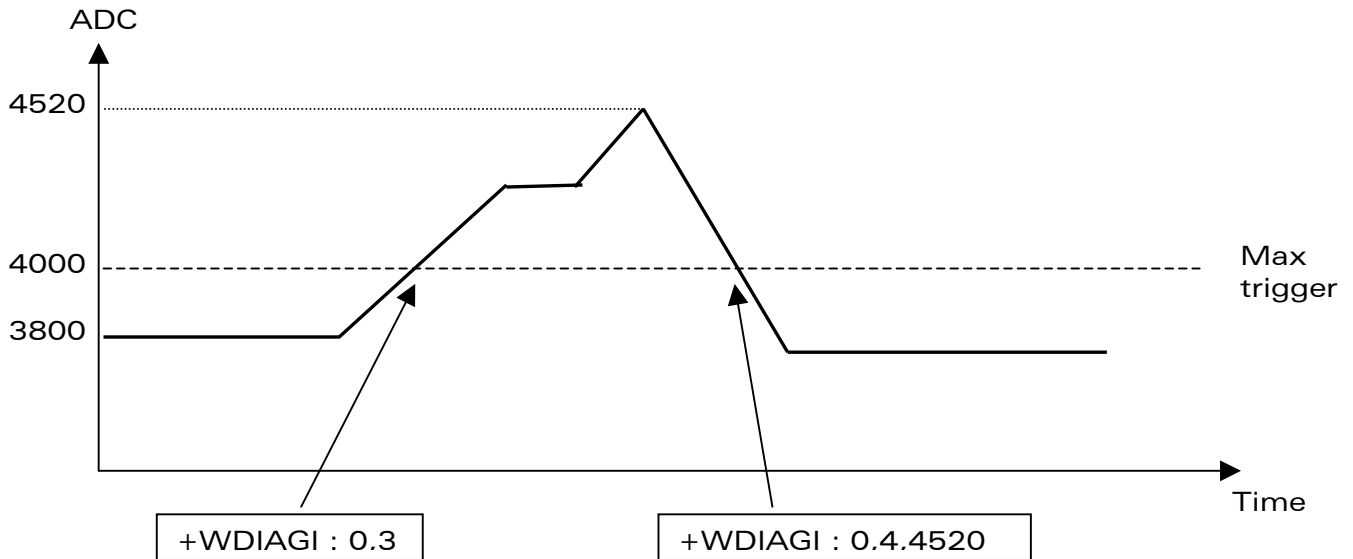
Note: ADC autodiag start in "best effort" for a 3000 mV min trig.



AT Commands Interface Guide for 6.57 Release

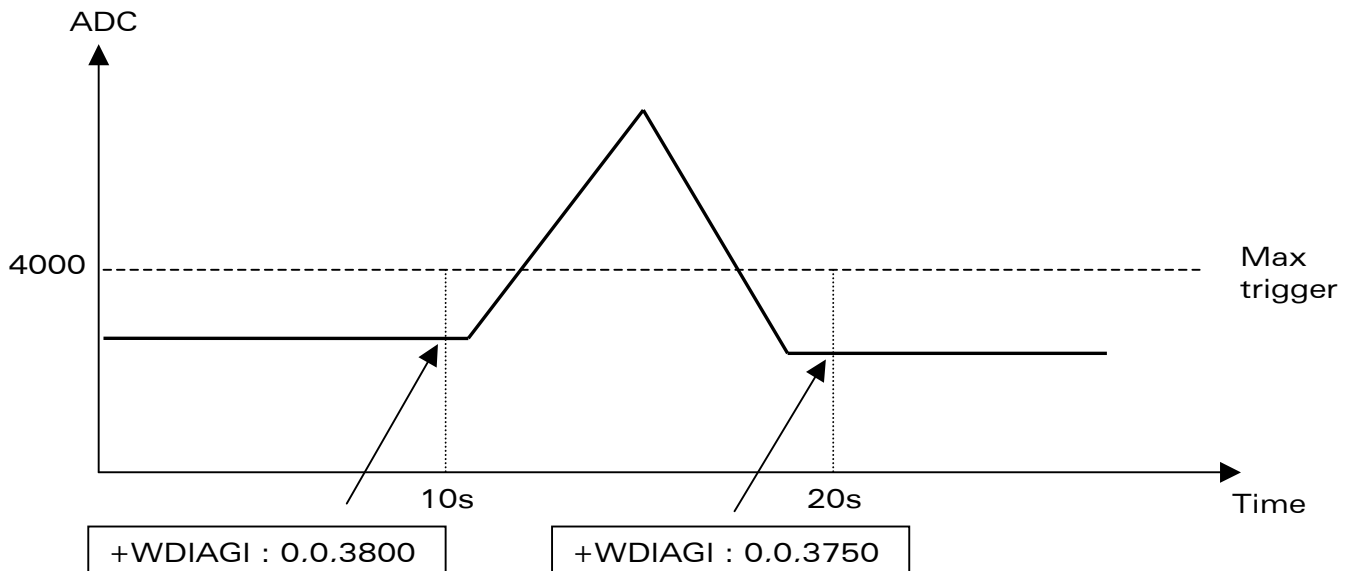
AT+WDIAG=0,1,0,0,4000,0,0

Note: ADC autodiag start in "best effort" for a 4000 mV max trig.



AT+WDIAG=0,1,10,0,4000,0,0

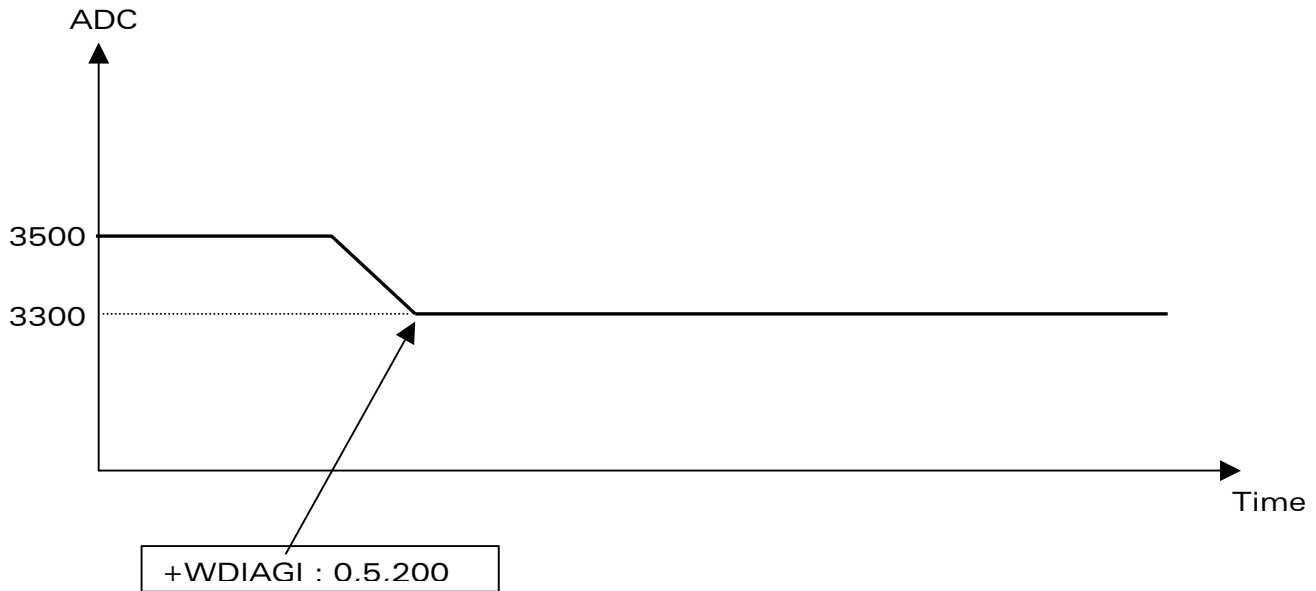
Note: ADC autodiag start with a 10s frequency for a 4000 mV max trig.



AT Commands Interface Guide for 6.57 Release

AT+WDIAG=0,1,0,0,0,100,1

Note: ADC autodiag start in "best effort" for a 100 mV delta trig.



AT Commands Interface Guide for 6.57 Release

15.60 +WSHS command

15.60.1 Description

This **specific** command allows to check at any time the status e.g. presence or absence of SIM card holder.

15.60.2 Syntax

Command syntax: AT+WSHS

Response syntax: +WSHS: <ReturnCode>

Command	Possible responses
AT+WSHS <i>Note : Ask for the current Sim Holder state</i>	+WSHS: 0 OK <i>Note : the Sim Holder is opened</i>
AT+WSHS=?	+WSHS: (0-1) OK
AT+WSHS?	ERROR

15.60.3 Defined values

< ReturnCode >: Current state of the Sim Holder

0: The Sim Holder is open

1: The Sim Holder is closed

AT Commands Interface Guide for 6.57 Release

16 SIM TOOLKIT

Important notice about SIM Toolkit

SIM Toolkit can be activated and used with two different sets of commands.

- RIL (Radio Interface Layer): +CRSM (§4.21), +CSIM(§4.20), +STRIL(§16.3.2)
- Wavecom commands, described in the following paragraphs.

These two behaviors are exclusive.

16.1 Overview of SIM Application Toolkit

16.1.1 Summary

SIM ToolKit, also known as "SIM Application ToolKit" introduces functionalities, which open the way to a broad range of value added services.

The principle is to allow service providers to develop new applications (*e.g. for banking, travel, ticket booking, etc.*) for subscribers and to download them into the SIM.

This solution allows new services to be accessible to the user by adding new SIM-based applications without modifying the handset.

16.1.2 Functionality

SIM Toolkit refers to the functionalities described in the GSM Technical specification 11.14.

It introduces twenty five commands for the SIM. Three classes of increasing ToolKit functionalities have been defined, with class 1 offering a subset of commands and class 3 offering the full range of commands (*See table 1 in APPENDIX B*).

The SIM Application Toolkit supports:

- profile download,
- proactive SIM,
- data download into SIM.
- menu selection,
- call control by SIM.

AT Commands Interface Guide for 6.57 Release

16.1.3 Profile download

The Profile Download instruction is sent by the customer application to the SIM as part of the initialization. It is used to indicate which SIM Application Toolkit features is supported by the customer application.

The AT command used for this operation is **+STSF** (*SIM ToolKit Set Facilities*).

16.1.4 Proactive SIM

A proactive SIM provides a mechanism whereby the SIM can ask the customer application to perform certain actions.

These actions include:

- display menu,
- display given text,
- get user input,
- send a short message,
- play the requested tone,
- set up a call,
- provide location information.

This mechanism allows SIM applications to generate powerful menu-driven sequences on the customer application and to use services available in the network.

The commands used for this operation are:

- +STIN** (*SIM Toolkit Indication*),
- +STGI** (*SIM Toolkit Get Information*),
- +STGR** (*SIM Toolkit Give Response*).

16.1.5 Data Download to SIM

Data downloading to the SIM (*SMS, phonebook...*) allows data or programs (*Java applets*) received by SMS or by Cell Broadcast to be transferred directly to the SIM Application.

This feature does not need any AT command. It is transparent to the customer application.

16.1.6 Menu Selection

A set of menu items is supplied by the SIM Application ToolKit. The menu selection command can then be used to signal to the SIM Application which menu item is selected.

The commands used for this operation are **+STIN**, **+STGI** and **+STGR**.

AT Commands Interface Guide for 6.57 Release

16.1.7 Call control by SIM

The call control mechanism allows the SIM to check all dialed numbers, supplementary service control strings and USSD strings before connecting to the network. This gives the SIM the ability to allow, bar or modify the string before the operation starts.

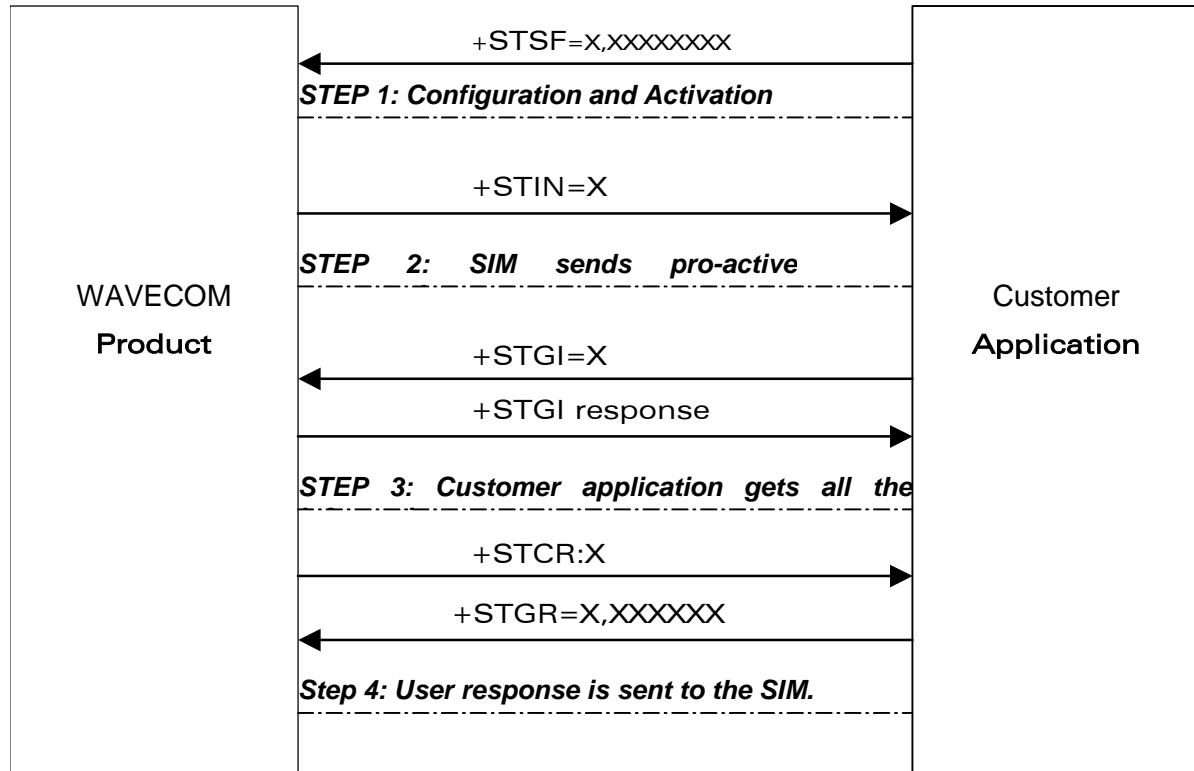
The commands used for this operation are:

- +STCR (*SIM Toolkit Control Response*),
- +STGR (*SIM Toolkit Give Response*).

AT Commands Interface Guide for 6.57 Release

16.2 Messages exchanged during a SIM ToolKit operation.

The following scheme shows the SIM Toolkit commands and unsolicited results that are exchanged.



On the first step, the customer application informs the Wavecom product which facilities are supported. This operation is performed with the `+STSF` (*SIM ToolKit Set Facilities*) command, which also allows to activate or deactivate the SIM Toolkit functionality.

On the second step, an unsolicited result `+STIN` (*SIM ToolKit indication*) is sent by the product, indicating to the customer application which command type the SIM Application Toolkit is running on the SIM card. The last SIM Toolkit indication can be requested by the `+STIN?` command.

On the third step, the customer application uses the `+STGI` (*SIM ToolKit Get Information*) command to get all the information about the SIM Toolkit command, returned by a `+STIN` message.

On the fourth step, the customer application uses the `+STGR` (*SIM ToolKit Give Response*) to send its response (if any) to the SIM Toolkit Application.

The `+STCR` (*SIM Toolkit Control response*) indication is an unsolicited result sent by the SIM when Call control functionality is activated and before the customer application has performed any outgoing call, SMS, SS, or USSD.

AT Commands Interface Guide for 6.57 Release

16.3 SIM TOOLKIT COMMANDS

16.3.1 SIM ToolKit Set Facilities (+STSF)

16.3.1.1 Description

This command allows SIM ToolKit facilities to be activated, deactivated or configured.

16.3.1.2 Syntax

Command syntax:

+STSF=<mode>[,<config>][,<Timeout>][,<AutoResponse>]

Command	Possible responses
AT+STSF=<Mode>[,<Config>] [,<Timeout>][,<AutoResponse>]	OK +CME ERROR: <err>
AT+STSF?	+STSF: <Mode>, <Config>, <Timeout>, <Autoresponse>
AT+STSF=?	+STSF: (0-2), (160060C01F - 5FFFFFFF7F),(1- 255),(0-1) OK

16.3.1.3 Defined values

<mode>

- 0: Deactivates the SIM Toolkit functionalities.
- 1: Activates the SIM Toolkit functionalities.
- 2: Configures the SIM Toolkit functionalities.

<Config>

(160060C01F – 5FFFFFFF7F) (*hex format*)

Default value: 1F6BFFFF1F

<Timeout>

Range 1 to 255: Timeout for user responses (multiple of 10 seconds).

Default value: 3

AT Commands Interface Guide for 6.57 Release

<Autoresponse>

0: Automatic response is not activated

1: Automatic response is activated

Default value: 1

Notes:

- The activation or deactivation of the SIM Toolkit functionalities requires the use of the +CFUN (*Set phone functionality*) command to reset the product. This operation is not necessary if PIN is not entered yet.
- The <Config> parameter gives the coding of the TERMINAL PROFILE, precisely the list of SIM Application Toolkit facilities that are supported by the customer application.
- The <Timeout> parameter (multiple of 10 seconds) sets the maximum time for the user action (to select an item, to input a text, etc).
- When <Autoresponse> is activated, the +STIN indication for Play Tone (5), Refresh (7), Send SS (8), Send SMS (9) or Send USSD (10) is automatically followed by the corresponding +STGI response.

Note: Some bits are related to the product only and not to the customer application. The product automatically sets these bits to either 0 or 1 whatever the user enters with the +STSF command. Those values are given in Technical Appendixes chapter (refer to Appendixes to AT Commands Interface Guide).

Each facility is coded on 1 bit:

- bit = 1: facility is supported by the customer application.
- bit = 0: facility is not supported by the customer application.

Only the first five bytes of the TERMINAL PROFILE (Class 2) can be configured, the other are set to 0. Refer to § 3.4 Structure of TERMINAL PROFILE in APPENDIX Technical Appendixes (see Appendixes to AT Commands Interface Guide).

16.3.1.4 Error codes

+CME ERROR: 3 **Operation not allowed.** This error is returned when a wrong parameter is entered.

AT Commands Interface Guide for 6.57 Release

16.3.1.5 Example

```
AT+CMEE=1           Enable the reporting of mobile equipment errors
                    OK
AT+WIND=15          Set Wavecom indications
                    OK
AT+CPAS             Query ME Status
                    +CPAS: 0           ME is ready.
                    OK
AT+STSF=?           Test command SIM ToolKit Set Facilities
                    +STSF: (0-2), (160060C01F - 5FFFFFFF7F),(1-255)
                    OK
AT+STSF?            Test command SIM ToolKit Set Facilities
                    +STSF: 0,"160060C000",3       No activation of SIM ToolKit functionality
                    OK
AT+STSF=2,"5FFFFFFF7F" Set all SIM ToolKit facilities (class 3).
                    OK
AT+STSF=3           Syntax Error
                    +CME ERROR: 3
AT+STSF=1           Activation of SIM ToolKit functionality
                    OK
AT+CFUN=1           Reboot Software.
                    OK
AT+CPIN?            Is the ME requiring a password?
                    +CPIN: SIM PIN       Yes, SIM PIN required
AT+CPIN=0000
                    OK           PIN Ok
                    +WIND: 4           Init phase is complete
AT+STSF?            Test command SIM ToolKit Set Facilities
                    +STSF: 1,"5FFFFFFF7F",3   SIM ToolKit functionality activated with all facilities
                    OK
```

AT Commands Interface Guide for 6.57 Release

16.3.2 SIM ToolKit Indication (+STIN +STRIL)

16.3.2.1 Unsolicited result

In order to allow the customer application to identify the pro-active command sent via SIM ToolKit, a mechanism of unsolicited SIM ToolKit indications (**+STIN**) is implemented.

Syntax: +STIN: <CmdType>

<CmdType>

- 0 a 'Setup Menu' pro-active command has been sent from the SIM.
- 1 a 'Display Text' pro-active command has been sent from the SIM.
- 2 a 'Get Inkey' pro-active command has been sent from the SIM.
- 3 a 'Get Input' pro-active command has been sent from the SIM.
- 4 a 'Setup Call' pro-active command has been sent from the SIM.
- 5 a 'Play Tone' pro-active command has been sent from the SIM. (*)
- 6 a 'Sel Item' pro-active command has been sent from the SIM.
- 7 a 'Refresh' pro-active command has been sent from the SIM. (*)
- 8 a 'Send SS' pro-active command has been sent from the SIM. (*)
- 9 a 'Send SMS' pro-active command has been sent from the SIM. (*)
- 10 a 'Send USSD' pro-active command has been sent from the SIM. (*)
- 11 a 'SETUP EVENT LIST' pro-active command has been sent from the SIM.
- 93 a 'SMS-PP Data Download' failed due to SIM BUSY
- 94 a 'SMS-PP Data Download' failed due to SIM ERROR
- 98 timeout when no response from user.
- 99 a "End Session" has been sent from the SIM.

(*) if the automatic response parameter is activated, this indication is followed by the corresponding +STGI response.

AT Commands Interface Guide for 6.57 Release

If the customer application needs to exchange SIM Toolkit message directly with the SIM card, the second indication (+STRIL) give the full command string given by the SIM.

Syntax: +STRIL: <CmdTreated>,<Command string>

< CmdTreated >

0: The command must be treated by the application.

1: The command is already treated by the Wireless CPU,

<Command string> string type; SIM command string in hexadecimal format.

16.3.2.2 Last SIM toolkit indication

The last SIM toolkit indication sent by the SIM can be requested by the **AT+STIN?** command. This command is only usable between the sending of the STIN indication by the SIM (step 2: see section 16.2) and the response of the user with the +STGI command (step 3).

Command syntax: +STIN?

Command	Possible responses
AT+STIN? <i>Note: Ask for the last SIM toolkit indication sent by the SIM</i>	+STIN: 0 OK <i>Note: the last SIM toolkit indication was a Setup Menu</i>
AT+STGI=0	<i>Note: Display the SIM toolkit application menu</i>
AT+STIN? <i>Note: Ask for the last SIM toolkit indication sent by the SIM</i>	+CME ERROR: 4 <i>Note: operation not supported, the +STGI command has been already used</i>

AT Commands Interface Guide for 6.57 Release

16.3.3 SIM ToolKit Get Information (+STGI)

16.3.3.1 Description

This command allows to get the information (*text to display, Menu information, priorities...*) of a pro-active command sent from the SIM.

The information is returned only after receiving a SIM Toolkit indication (*+STIN*).

16.3.3.2 Syntax

Command syntax: +STGI=<CmdType>

Command	Possible responses
AT+STGI=<CmdType>	<i>Note: See Table 1</i> +CME ERROR: <err>
AT+STGI=?	+STGI: (0-11) OK

Table 1

Cmd Type	Description	Possible responses
0	Get information about 'Setup Menu' pro-active command.	+STGI: <Alpha Identifier menu> +STGI: <Id1>,<NbItems>,<Alpha Id1 Label>,<Help Info>[,<NextActionId>]<CR><LF> +STGI: <Id2>,<NbItems>,<Alpha Id2 Label>,<Help Info>[,<NextActionId>]<CR><LF> [...] No action expected from SIM.
1	Get information about 'Display text' pro-active command.	+STGI: <Prior>,<Text>,<ClearMode> No action expected from SIM.
2	Get information about 'Get Inkey' pro-active command.	+STGI: <Format>,<HelpInfo>[,<TextInfo>] SIM expects key pressed (+STGR).
3	Get information about 'Get Input' pro-active command.	+STGI: <Format>,<EchoMode>,<SizeMin>,<SizeMax>,<HelpInfo>[,<TextInfo>] SIM expects key input (+STGR).

AT Commands Interface Guide for 6.57 Release

Cmd Type	Description	Possible responses
4	Get information about 'Setup call' pro-active command.	+STGI: <Type>,<CalledNb>,<SubAddress>,<Class>,<Alpha Id> SIM expects user authorization (+STGR). Note: if <Class> is omitted, call is processed as a voice call.
5	Get information about 'Play Tone' pro-active command.	+STGI: <ToneType>[,<TimeUnit>,<TimeInterval>,<TextInfo>] No action.
6	Get information about 'Sel Item' pro-active command.	+STGI: <DefaultItem>, <Alpha Identifier menu><CR><LF> +STGI: <Id1>,<NbItems>,<Alpha Id1 Label>,<Help Info>[,<NextActionId>]<CR><LF> +STGI: <Id2>,<NbItems>,<Alpha Id2 Label>,<Help Info>[,<NextActionId>]<CR><LF> [...] SIM expects an item choice (+STGR).
7	Get information about 'Refresh' pro-active command.	+STGI: <RefreshType> No action (Refresh done automatically by product).
8	Get information about 'Send SS' pro-active command.	+STGI:<TextInfo> No action (Send SS done automatically by product).
9	Get information about 'Send SMS' pro-active command.	+STGI: <TextInfo> No action (Send SMS done automatically by product).
10	Get information about 'Send USSD' pro-active command.	+STGI: <TextInfo> No action (Send USSD done automatically by product).
11	Get information about 'SETUP EVENT LIST' pro-active command.	+STGI: <Evt>

AT Commands Interface Guide for 6.57 Release

16.3.3.3 Defined values

Values when CmdType=0 (Setup menu)

<Alpha Identifier menu>	Alpha identifier of the main menu.
<Idx> (1-255)	Menu item Identifier.
<NbItems> (1-255)	Number of items in the main menu.
<Alpha Idx Label>	Alpha identifier label of items in ASCII format.
<HelpInfo>	
0:	No help information available.
1:	Help information available.
<NextActionId>	Contains a pro-active command identifier. <i>(see the table in APPENDIX D)</i>

Compared to other commands the customer application can always get information about setup menu after having received the +STIN:0 indication.

Values when CmdType=1 (Display text)

<Prior>	
0	Normal priority of display.
1	High priority of display.
<Text>	Text to display in ASCII format.
<ClearMode>	
0	Clear message after a delay <i>(3 seconds)</i>
1	Wait for user to clear message.

Values when CmdType=2 (Get Inkey)

<Format>	
0	Digit <i>(0-9, *, #, and +)</i>
1	SMS alphabet default.
2	UCS2
<HelpInfo>	
0	No help information available.
1	Help information available.
<TextInfo>	Text information in ASCII format.

AT Commands Interface Guide for 6.57 Release

Values when CmdType=3 (Get Input)

<Format>

- 0 Digit (0-9, *, #, and +)
- 1 SMS alphabet default.
- 2 UCS2
- 3 Unpacked format.
- 4 Packed format.

<EchoMode>

- 0 Echo off.
- 1 Echo on.

<SizeMin> (1-255) Minimum length of input.

<SizeMax> (1-255) Maximum length of input.

<HelpInfo>

- 0 No help information available.
- 1 Help information available.

<TextInfo> Text information in ASCII format.

Values when CmdType=4 (Setup Call)

<Type>

- 0 Set up call but only if not currently busy on another call.
- 1 Set up call, putting all other calls (*if any*) on hold.
- 2 Set up call, disconnecting all other calls (*if any*).

<CalledNb> Called party number in ASCII format.

<SubAddress> Called party sub-address in ASCII format.

<Class>

- 0 Voice call.
- 1 Data call.
- 2 Fax call

<Alpha Id>

AT Commands Interface Guide for 6.57 Release

Values when CmdType=5 (Play tone)

<ToneType>

- 0 Tone Dial.
- 1 Tone Busy.
- 2 Tone Congestion.
- 3 Tone Radio ack
- 4 Tone Dropped.
- 5 Tone Error.
- 6 Tone Call waiting.
- 7 Tone Ringing.
- 8 Tone General beep.
- 9 Tone Positive beep.
- 10 Tone Negative beep.

<TimeUnit>

- 0 Time unit used is minutes.
- 1 Time unit used is seconds.
- 2 Time unit used is tenths of seconds.

<TimeInterval> (1-255) Time required expressed in units.

<TextInfo> Text information in ASCII format.

Values when CmdType=6 (Sel Item)

<DefaultItem> (1-255) Default Item Identifier.

<Alpha Identifier menu> Alpha identifier of the main menu.

<Idx> (1-255) Identifier items.

<NbItems> (1-255) Number of items in the menu.

<Alpha Idx Label> Alpha identifier label of items in ASCII format.

<HelpInfo>

- 0 No help information available.
- 1 Help information available.

<NextActionId> Contains a pro-active command identifier. (*see the table in APPENDIX D*)

AT Commands Interface Guide for 6.57 Release

Values when CmdType=7 (Refresh)

<RefreshType>

- 0 SIM initialization and full file change notification.
- 1 File change notification.
- 2 SIM initialization and file change notification.
- 3 SIM initialization.
- 4 SIM reset.

Values when CmdType=8 (Send SS)

<TextInfo> Text information in ASCII format.

Values when CmdType=9 (Send SMS)

<TextInfo> Text information in ASCII format.

Values when CmdType=10 (Send USSD)

<TextInfo> Text information in ASCII format.

Values when CmdType=11 (Setup Event List)

<Evt>

- 1 Reporting asked for an 'Idle Screen' event.
- 2 Reporting asked for an 'User Activity' event.
- 3 Reporting asked for 'Idle Screen' and 'User Activity' events.
- 4 Cancellation of reporting event.

Note: For the UCS2 format texts are displayed in Hexa ASCII format. Example: When the SIM sends a TextString containing 0x00 0x41 the text displayed is "0041".

16.3.3.4 Error codes

- +CME ERROR: 3 **Operation not allowed.** This error is returned when a wrong parameter is detected.
- +CME ERROR: 4 **Operation not supported.** This error is returned when the user wants to get information about a SIM Toolkit pro-active command (with SIM Toolkit functionality not activated.)
- +CME ERROR: 518 **SIM Toolkit indication not received.** This error is returned when the SIM Toolkit indication (*+STIN*) has not been received.

AT Commands Interface Guide for 6.57 Release

16.3.3.5 Example

Initially, all facilities are activated, the PIN is not required and SIM toolkit functionality is activated.

AT+CMEE=1 *Enable the reporting of mobile equipment errors*

OK

AT+WIND=15 *Set Wavecom indications*

OK

AT+STSF?

+STSF: 1,"5FFFFFFF7F",3 *SIM ToolKit functionality activated with all facilities.*

OK

+STIN: 0 *The main menu has been sent from the SIM.*

AT+STIN?

+STIN: 0

OK

AT+STGI=0 *Get information about the main menu*

+STGI: "SIM TOOLKIT MAIN MENU" *Main menu contains 3 items.*

+STGI: 1,3,"BANK",0

+STGI: 2,3,"QUIZ",0

+STGI: 3,3,"WEATHER",0

OK

AT+STIN?

+CME ERROR: 4

16.3.4 Unsolicited Result: SIM ToolKit Control Response (+STCR)

When the customer application makes an outgoing call or an outgoing SMS and if the call control facility is activated, CALL CONTROL and SMS CONTROL responses can be identified. This is also applicable to SS calls.

Syntax: +STCR: <Result>[,<Number>,<MODestAddr>,<TextInfo>]

Option:

<Result>

0: Control response not allowed.

1: Control response with modification.

<Number> Called number, Service Center Address or SS String in ASCII format.

<MODestAddr> MO destination address in ASCII format.

<TextInfo> Text information in ASCII format.

AT Commands Interface Guide for 6.57 Release

16.3.5 SIM ToolKit Give Response (+STGR)

16.3.5.1 Description

This command allows the application/user to select an item in the main menu, or to answer the following proactive commands:

- GET INKEY Key pressed by the user.
- GET INPUT Message entered by the user.
- SELECT ITEM Selected item.
- SETUP CALL User confirmation.
- DISPLAY TEXT User confirmation to clear the message.
- SETUP EVENT LIST Reporting events.

It is also possible to terminate the current proactive command session by sending a Terminal Response to the SIM, with the following parameters:

- BACKWARD MOVE Process a backward move
- BEYOND CAPABILITIES Command beyond ME capabilities
- UNABLE TO PROCESS ME is currently unable to process command
- NO RESPONSE No response from the user
- END SESSION User abort.

16.3.5.2 Syntax

Command syntax: +STGR=<CmdType>[,<Result>,<Data>]

Command	Possible responses
AT+STGR=<CmdType>[,<Result>,<Data>]	OK +CME ERROR: <err>
<i>For GetInput with <Result>=1:</i> AT+STGR=3,1<CR> <Data><Ctrl Z>	OK +CME ERROR: <err>
<i>For GetInkey with <Result>=1</i> AT+STGR=2,1,"<Data>"	OK +CME ERROR: <err>
AT+STGR=?	OK

AT Commands Interface Guide for 6.57 Release

16.3.5.3 Defined values

<CmdType>

- 0 Item selection in the main menu.
- 1 User confirmation to clear a 'Disp Text'.
- 2 Response for a 'Get Inkey'.
- 3 Response for a 'Get Input'.
- 4 Response for a 'Setup call'.
- 6 Response for a 'Sel Item'.
- 11 Response for a 'Setup event list'.
- 95 Backward move
- 96 Command beyond ME capabilities
- 97 ME currently unable to process command
- 98 No response from the user.
- 99 User abort.

Values when CmdType=0 (Select an item from the main menu)

<Result>

- 1 Item selected by the user.
- 2 Help information required by user.

<Data> Contains the item identifier of the item selected by the user.

Values when CmdType=1 (Confirm the display text clearing)

No values.

Values when CmdType=2 (Get Inkey)

<Result>

- 0 Session ended by user.
- 1 Response given by the user.
- 2 Help information required by user.

<Data> Contains the key pressed by the user.

AT Commands Interface Guide for 6.57 Release

Values when CmdType=3 (Get Input)

<Result>

- 0** Session ended by user.
- 1** Response given by the user.
- 2** Help information required by user.

<Data> Contains the string of characters entered by the user.

Note:

For Inputs in UCS2 format, the data are entered in ASCII format. Example: For "8000410042FFFF" entered, the SIM receives 0x00 0x41 0x00 0x42 with UCS2 DCS. (See the Appendix E about the different UCS2 syntaxes).

Values when CmdType=4 (Setup call)

<Result>

- 0** User refuses the call.
- 1** User accepts call.

Values when CmdType=6 (Select Item)

<Result>

- 0** Session terminated by the user
- 1** Item selected by the user
- 2** Help information required by the user
- 3** Return to the back item

<Data> Contains the item identifier selected by the user

Values when CmdType=11 (Setup Event List)

<Result>

- 1** Idle screen available.
- 2** User activity event.

AT Commands Interface Guide for 6.57 Release

Sending a Terminal Response to the SIM:

Values when CmdType=95 (**Backward Move**)

Values when CmdType=96 (**Command beyond ME capabilities**)

Values when CmdType=97 (**ME currently unable to process command**)

Values when CmdType=98 (**No response from the user**)

Values when CmdType=99 (**SIM Toolkit Session aborting by the user**)

No values.

It is possible to send a Terminal Response after the **+STIN** indication (step 2, cf. §16.2), or after the **+STGI** command (step 3).

Note:

For the SETUP MENU Proactive Command, it is only possible to send a Terminal Response after the **+STIN: 0** indication, not after a **+STGI=0** request.

All of the Terminal Responses are not possible with all of the Proactive Commands. Compatibility between available Terminal Responses and Proactive Commands is given in Appendix B, Table 2. If a Terminal Response is attempted during a incompatible Proactive Command session, a **+CME ERROR: 3** will be returned.

16.3.5.4 Possible error codes

- +CME ERROR: 3** **Operation not allowed.** This error is returned when a wrong parameter is detected.
- +CME ERROR: 4** **Operation not supported.** This error is returned when the user gives a response with SIM ToolKit functionality not activated. Or if the SIM Toolkit indication (**+STIN**) has not been received.

AT Commands Interface Guide for 6.57 Release

16.3.5.5 Example

Initially, all facilities are activated, the PIN is not required and the SIM toolkit functionality is activated.

```
+STIN: 0 The main menu has been sent from the SIM.
AT+STGI=0 Get information about the main menu
+STGI: 1,3,"BANK",0 The main menu contains 3 items.
+STGI: 2,3,"QUIZ",0
+STGI: 3,3,"WEATHER",0
OK
AT+STGR=0,1,1 The item 2 of the main menu has been selected.
OK
+STIN: 6 The Sel item menu has been sent from the SIM.
AT+STGI=6 Get information about the BANK menu
+STGI: 1,"BANK" The BANK menu contains two items.
+STGI: 1,2,"PERSONAL ACCOUNT ENQUIRY",1
+STGI: 2,2,"NEWS",0
OK
AT+STGR=6,1,1 Select Item 1.
OK
+STIN: 3 User request to enter Password sent.
AT+STGI=3 Get information about this request.
+STGI: 0,0,4,4,0,"Enter Account Password:"
OK
AT+STGR=3,1<CR> The user enters the Password.
>0000<Ctrl Z>
OK
+STIN:1 A text info has been sent from the SIM.
AT+STGI=1 Get information about this text.
+STGI: 0,"Password correct, please wait for response",0
OK
+STIN: 9 SIM requests a bank account update from bank server via the network (SEND SMS)
AT+STGI=9 Get all information about the SEND SMS
+STGI: "Send account balance of user, authorization ok"
OK
```

AT Commands Interface Guide for 6.57 Release

***** After a short period of time. *****

+STIN: 5 *Transaction is complete: BEEP*
+STGI=5 *Get information about the Tone*
+STGI: 9,1,1
+STIN: 1 *Display text indication*
AT+STGI=1
+STGI: 0,"Your account balance is 1000 \$",0
OK

AT Commands Interface Guide for 6.57 Release

17 GPRS commands

GPRS commands are not available under GSM-only software.

17.1 Define PDP Context +CGDCONT

17.1.1 Description

This command specifies PDP context parameter values for a PDP context identified by the local context identification parameter, <cid>.

Four PDP contexts can be defined through Wavecom software.

A special form of the set command, +CGDCONT= <cid> causes the values for context number <cid> to become undefined.

The test command returns values supported as a compound value. If the MT supports several PDP types, <PDP_type>, the parameter value ranges for each <PDP_type> are returned on a separate line.

The read command returns the current settings for each defined context.

The test command returns values supported as a compound value. If the MT supports several PDP types, <PDP_type>, the parameter value ranges for each <PDP_type> are returned on a separate line.

AT Commands Interface Guide for 6.57 Release

17.1.2 Syntax

Command	Possible response(s)
AT+CGDCONT=[<cid> [,<PDP_type> [,<APN> [,<PDP_addr> [,<d_comp> [,<h_comp>]]]]]]	OK ERROR
AT+CGDCONT?	+CGDCONT: <cid>, <PDP_type>, <APN>, <PDP_addr>, <data_comp>, <head_comp> [<CR><LF>+CGDCONT: <cid>, <PDP_type>, <APN>, <PDP_addr>, <data_comp>, <head_comp> [...]] OK
AT+CGDCONT=?	+CGDCONT: (range of supported <cid>s), <PDP_type>,,,(list of supported <d_comp>s), (list of supported <h_comp>s) [<CR><LF>+CGDCONT: (range of supported <cid>s), <PDP_type>,,,(list of supported <d_comp>s),(list of supported <h_comp>s) [...]] OK
AT+CGDCONT: 1, "IP", "internet"; +CGDCONT=2, "IP", "abc.com"	OK
AT+CGDCONT=?	+CGDCONT: (1-4),"IP",,,(0-1),(0-1) +CGDCONT: (1-4),"PPP",,,0,0 OK
AT+CGDCONT?	+CGDCONT: 1, "IP", "internet",,0,0 +CGDCONT: 2, "IP", "abc.com",,0,0 OK

AT Commands Interface Guide for 6.57 Release

17.1.3 Defined values

<cid>: (PDP Context Identifier) a numeric parameter which specifies a particular PDP context definition. The parameter is local to the TE-MT interface and is used in other PDP context-related commands. Range of values is 1 to 4.

<PDP_type>: (Packet Data Protocol type) a string parameter which specifies the type of packet data protocol

- IP: Internet Protocol
- PPP: Point to Point Protocol

<APN>: (Access Point Name) a string parameter, which is a logical name that is used to select the GGSN or the external packet data network.

If the value is null or omitted, then the subscription value will be requested.

<PDP_address>: a string parameter that identifies the MT in the address space applicable to the PDP.

If the value is null or omitted, then a value may be provided by the TE during the PDP startup procedure or, a dynamic address will be requested. The read form of the command will return the null string even if an address has been allocated during the PDP startup procedure. The allocated address may be read using the **+CGPADDR** command.

<d_comp>: a numeric parameter that controls PDP data compression

- 0: OFF (default if value is omitted)
- 1: ON
- Other values are reserved.

<h_comp>: a numeric parameter that controls PDP header compression

- 0: OFF (default if value is omitted)
- 1: ON
- Other values are reserved.

Notes:

- The data compression algorithm provided in SNDTCP is V.42bis.
- 4 CIDs are available to specify 4 PDP contexts but only 11 NSAPI are available for PDP activation. Due to Wavecom Choice, 4 PDP contexts can be specified with only one activated at the same time.

AT Commands Interface Guide for 6.57 Release

17.2 Quality of Service Profile (Requested) +CGQREQ

17.2.1 Description

This command allows the TE to specify a Quality of Service Profile that is used when the MT sends an Activate PDP Context Request message to the network.

The set command specifies a profile for the context identified by the local context identification parameter, <cid>. Since this is the same parameter that is used in the +CGDCONT command, the +CGQREQ command is effectively an extension to the +CGDCONT command. The QoS profile consists of a number of parameters, each of which may be set to a separate value.

A special form of the set command, +CGQREQ= <cid> causes the requested profile for context number <cid> to become undefined.

The read command returns the current settings for each defined context.

The test command returns values supported as a compound value. If the MT supports several PDP types, the parameter value ranges for each PDP type are returned on a separate line.

17.2.2 Syntax

Command	Possible Response(s)
AT+CGQREQ=[<cid> [,<precedence > [,<delay> [,<reliability.> [,<peak> [,<mean>]]]]]]	OK ERROR
AT+CGQREQ?	+CGQREQ: <cid>, <precedence >, <delay>, <reliability>, <peak>, <mean> [<CR><LF>+CGQREQ: <cid>, <precedence >, <delay>, <reliability.>, <peak>, <mean> [...]] OK
AT+CGQREQ=?	+CGQREQ: <PDP_type>, (list of supported <precedence>s), (list of supported <delay>s), (list of supported <reliability>s) , (list of supported <peak>s), (list of supported <mean>s) [<CR><LF>+CGQREQ: <PDP_type>, (list of supported <precedence>s), (list of supported <delay>s), (list of supported <reliability>s) , (list of supported <peak>s), (list of supported <mean>s) [...]] OK
AT +CGQREQ=1,1,4,5,2,14	OK

AT Commands Interface Guide for 6.57 Release

Command	Possible Response(s)
AT+CGQREQ=?	+CGQREG:"IP",(1-3),(1-4),(1-5),(1-9),(1-31) +CGQREQ:"PPP",(1-3),(1-4),(1-5),(1-9),(1-31) OK
AT+CGQREQ?	+CGQREQ: 1,1,4,5,2,14 OK

17.2.3 Defined values

<cid>: numeric parameter which specifies a particular PDP context definition.

Range of values is 1 to 3

<precedence>: numeric parameter which specifies the precedence class

0: Subscribed precedence (Subscribed by the Network by default if value is omitted)

1: High priority (Service commitments shall be maintained ahead of precedence classes 2 and 3)

2: Normal priority (Service commitments shall be maintained ahead of precedence class 3.)

3: Low priority (Service commitments shall be maintained after precedence classes 1 and 2)

<delay>: numeric parameter which specifies the delay class

0: Subscribed

1: Delay class 1

2: Delay class 2

3: Delay class 3

4: Delay class 4

Delay Class	Delay (maximum values)			
	SDU size: 128 bytes		SDU size: 1024 bytes	
	Mean Transfer Delay (sec)	95 percentile Delay (sec)	Mean Transfer Delay (sec)	95 percentile Delay (sec)
0	Subscribed	Subscribed by the Nwk / default if value is omitted		
1. (Predictive)	< 0.5	< 1.5	< 2	< 7
2. (Predictive)	< 5	< 25	< 15	< 75
3. (Predictive)	< 50	< 250	< 75	< 375
4. (Best Effort)	Unspecified			

AT Commands Interface Guide for 6.57 Release

<reliability>: numeric parameter which specifies the reliability class

- 0**: Subscribed
- 1**: Up to 1 000 (8 kbits/s).
- 2**: Up to 2 000 (16 kbits/s).
- 3**: Up to 4 000 (32 kbits/s).
- 4**: Up to 8 000 (64 kbits/s).
- 5**: Up to 16 000 (128 kbits/s).
- 6**: Up to 32 000 (256 kbits/s).
- 7**: Up to 64 000 (512 kbits/s).
- 8**: Up to 128 000 (1 024 kbits/s).
- 9**: Up to 256 000 (2 048 kbits/s).

Reliability Class	GTP Mode	LLC Mode	Frame Protection	LLC Data Protection	RLC Block Mode	Traffic Type
0	Subscribed	Subscribed by the Nwk / default if value is omitted				
1	Acknowledged	Acknowledged	Protected	Protected	Acknowledged	Non real-time traffic, error-sensitive application that cannot cope with data loss.
2	Unacknowledged	Acknowledged	Protected	Protected	Acknowledged	Non real-time traffic, error-sensitive application that can cope with infrequent data loss.
3	Unacknowledged	Unacknowledged	Protected	Protected	Acknowledged	Non real-time traffic, error-sensitive application that can cope with data loss, GMM/SM, and SMS.
4	Unacknowledged	Unacknowledged	Protected	Protected	Unacknowledged	Real-time traffic, error-sensitive application that can cope with data loss.
5	Unacknowledged	Unacknowledged	Unprotected	Unprotected	Unacknowledged	Real-time traffic, error non-sensitive application that can cope with data loss.

NOTE: For real-time traffic, the QoS profile also requires appropriate settings for delay and throughput.

AT Commands Interface Guide for 6.57 Release

<peak>: numeric parameter which specifies the peak throughput class

- 0: Subscribed
- 1: Up to 1 000 (8 kbits/s).
- 2: Up to 2 000 (16 kbits/s).
- 3: Up to 4 000 (32 kbits/s).
- 4: Up to 8 000 (64 kbits/s).
- 5: Up to 16 000 (128 kbits/s).
- 6: Up to 32 000 (256 kbits/s).
- 7: Up to 64 000 (512 kbits/s).
- 8: Up to 128 000 (1 024 kbits/s).
- 9: Up to 256 000 (2 048 kbits/s).

<mean>: numeric parameter which specifies the mean throughput class

- 0: Subscribed by the Nwk / default if value is omitted
- 1: 100 (~0.22 bit/s).
- 2: 200 (~0.44 bit/s).
- 3: 500 (~1.11 bit/s).
- 4: 1 000 (~2.2 bit/s).
- 5: 2 000 (~4.4 bit/s).
- 6: 5 000 (~11.1 bit/s).
- 7: 10 000 (~22 bit/s).
- 8: 20 000 (~44 bit/s).
- 9: 50 000 (~111 bit/s).
- 10: 100 000 (~0.22 kbits/s).
- 11: 200 000 (~0.44 kbits/s).
- 12: 500 000 (~1.11 kbits/s).
- 13: 1 000 000 (~2.2 kbits/s).
- 14: 2 000 000 (~4.4 kbits/s).
- 15: 5 000 000 (~11.1 kbits/s).
- 16: 10 000 000 (~22 kbits/s).
- 17: 20 000 000 (~44 kbits/s).
- 18: 50 000 000 (~111 kbits/s).
- 31: Best effort.

If a value is omitted for a particular class, then it is considered to be unspecified.

AT Commands Interface Guide for 6.57 Release

17.3 Quality of Service Profile (Minimum acceptable) +CGQMIN

17.3.1 Description

This command allows the TE to specify a minimum acceptable profile which is checked by the MT against the negotiated profile returned in the Activate PDP Context Accept message.

The set command specifies a profile for the context identified by the local context identification parameter, <cid>. Since this is the same parameter that is used in the +CGDCONT command, the +CGQMIN command is an extension to the +CGDCONT command. The QoS profile consists of a number of parameters, each of which may be set to a separate value.

A special form of the set command, +CGQMIN= <cid> causes the minimum acceptable profile for context number <cid> to become undefined. In this case no check is made against the negotiated profile.

The read command returns the current settings for each defined context.

The test command returns values supported as a compound value. If the MT supports several PDP types, the parameter value ranges for each PDP type are returned on a separate line.

17.3.2 Syntax

Command	Possible Response(s)
AT+CGQMIN=[<cid> [,<precedence > [,<delay> [,<reliability.> [,<peak> [,<mean>]]]]]]	OK ERROR
AT+CGQMIN?	+CGQMIN: <cid>, <precedence >, <delay>, <reliability>, <peak>, <mean> [<cr><LF>+CGQMIN: <cid>, <precedence >, <delay>, <reliability.>, <peak>, <mean>[...]] OK</cr>
AT+CGQMIN=?	+CGQMIN: <PDP type>, (list of supported <precedence>s), (list of supported <delay>s), (list of supported <reliability>s) , (list of supported <peak>s), (list of supported <mean>s) [<cr><LF>+CGQMIN: <PDP_type>, (list of supported <precedence>s), (list of supported <delay>s), (list of supported <reliability>s) , (list of supported <peak>s), (list of supported <mean>s) [...]] OK</cr>

AT Commands Interface Guide for 6.57 Release

Command	Possible Response(s)
AT +CGQMIN=1,1,4,5,2,31	OK
AT+CGQMIN=?	+CGQMIN:"IP",(1-3),(1-4),(1-5),(1-9),(1-31) +CGQMIN:"PPP",(1-3),(1-4),(1-5),(1-9),(1-31) OK
AT+CGQMIN?	+CGQMIN: 1,1,4,5,2,14 OK

17.3.3 Defined values

<cid>: a numeric parameter which specifies a particular PDP context .

<precedence>: a numeric parameter which specifies the precedence class.

<delay>: a numeric parameter which specifies the delay class.

<reliability>: a numeric parameter which specifies the reliability class.

<peak>: a numeric parameter which specifies the peak throughput class.

<mean>: a numeric parameter which specifies the mean throughput class.

If a value is omitted for a particular class then this class is not checked.

AT Commands Interface Guide for 6.57 Release

17.4 GPRS attach or detach +CGATT

17.4.1 Description

The execution command is used to attach the MT to, or detach the MT from the GPRS service. After the command has completed, the MT remains in V.25ter command state. If the MT is already in the requested state, the command is ignored and the OK response is returned. If the requested state cannot be achieved because the GPRS is not supported by the MT, an ERROR or +CME ERROR response is returned. Extended error responses are enabled by the +CMEE command.

Any active PDP contexts will be automatically deactivated when the attachment state changes to detached.

The read command returns the current GPRS service state.

The test command is used for requesting information on the supported GPRS service states.

17.4.2 Syntax

Command	Possible Response(s)
AT+CGATT= [<state>]	OK ERROR
AT+CGATT?	+CGATT: <state> OK
AT+CGATT=?	+CGATT: (list of supported <state>s) OK
AT +CGATT=1	OK

17.4.3 Defined Values

<state>: indicates the state of GPRS attachment

- 0: detached
- 1: attached
- 2: combined detach (GPRS and GSM detach in the same network request)
- Other values are reserved and will result in an ERROR response to the execution command.

AT Commands Interface Guide for 6.57 Release

17.5 PDP context activate or deactivate +CGACT

17.5.1 Description

The execution command is used to activate or deactivate the specified PDP context(s). After the command has completed, the MT remains in V.25ter command state. If any PDP context is already in the requested state, the state for that context remains unchanged.

If the requested state for any specified context cannot be achieved, an ERROR or +CME ERROR response is returned. Extended error responses are enabled by the +CMEE command.

If the MT is not GPRS attached when the activation form of the command is executed, the MT first performs a GPRS attach and then attempts to activate the specified contexts. If the attach fails then the MT responds with ERROR or, if extended error responses are enabled, with the appropriate failure-to-attach error message.

If no <cid>s are specified the activation form of the command activates the first possible within the defined contexts.

If no <cid>s are specified the deactivation form of the command deactivates all active contexts.

One PDP contexts can be activated through Wavecom software at the same time.

The read command returns the current activation states for all the defined PDP contexts.

The test command is used for requesting information on the supported PDP context activation states.

AT Commands Interface Guide for 6.57 Release

17.5.2 Syntax

Command	Possible Response(s)
AT+CGACT=[<state> [,<cid>[,<cid>[,...]]]]	OK ERROR
AT+CGACT?	+CGACT: <cid>, <state> [<CR><LF>+CGACT: <cid>, <state> [...]] OK
AT+CGACT=?	+CGACT: (list of supported <state>s) OK
AT +CGACT=1,1	OK
AT+CGACT?	+CGACT: 1, 1 OK
AT+CGACT=?	+CGACT: (0-1) OK

17.5.3 Defined Values

<state>: indicates the state of PDP context activation

- 0: deactivated
- 1: activated
- Other values are reserved and will result in an ERROR response to the execution command.

<cid>: a numeric parameter which specifies a particular PDP context.

Before the activation of the context, the MT has to attach itself to the GPRS network if necessary.

Note: If a GPRS PPP session is already running, the setting of a CSD (GSM data call) is not supported.

AT Commands Interface Guide for 6.57 Release

17.6 Enter data state +CGDATA

17.6.1 Description

This command causes the MT to perform the necessary actions to set up communication between the TE and the network. This may include performing a GPRS attach and one PDP context activation.

If the <cid> value is not defined to the MT, it will return an ERROR or +CME ERROR response. Otherwise, the MT issues the intermediate result code CONNECT and enters V.25ter online data state.

GPRS attachment and PDP context activation procedures may take place prior to or during the PDP startup if they have not already been performed using the +CGATT and +CGACT commands.

If no <cid> is given, the MT attempts to activate the context with available information. The other context parameters are set to their default values (No APN, default QOS parameters, dynamic IP address requested).

If the activation is successful, data transfer may proceed.

After data transfer and layer 2 protocol termination procedure completion, the V.25ter command state is re-entered and the MT returns the final result code OK.

In case of abnormal termination or start up, the V.25ter command state is re-entered and the MT returns the final result code NO CARRIER or, if enabled, +CME ERROR. Attach, activate and other errors may be reported.

This command may be used in both normal and modem compatibility modes.

Notes:

- This command has the same effects than ATD*99***.
- If a GPRS PPP session is already running, the setting of a CSD (GSM data call) is not supported.

17.6.2 Syntax

Command	Possible Response(s)
AT+CGDATA=[<cid>]	CONNECT ERROR
AT+CGDATA=?	+CGDATA: OK
AT+CGDATA=?	+CGDATA: OK
AT +CGDATA=1	CONNECT

AT Commands Interface Guide for 6.57 Release

17.6.3 Defined Values

<cid>: a numeric parameter which specifies a particular PDP context definition.

17.7 GPRS mobile station class +CGCLASS

17.7.1 Description

The set command is used to set the MT to operate according to the specified GPRS mobile class. If the requested class is not supported, an ERROR or +CME ERROR response is returned.

The read command returns the current GPRS mobile class.

The test command is used for requesting information on the supported GPRS mobile classes.

17.7.2 Syntax

Command	Possible Response(s)
AT+CGCLASS= [<class>]	OK ERROR
AT+CGCLASS?	+CGCLASS: <class> OK
AT+CGCLASS=?	+CGCLASS: (list of supported <class>s) OK
AT +CGCLASS="CG" <i>Note: Enter GPRS class C mode</i>	OK
AT +CGCLASS="CC" <i>Note: Enter GSM mode</i>	OK
AT +CGCLASS="A" <i>Note: Chosen class not supported.</i>	+CME ERROR: 150
AT+CGCLASS=?	+CGCLASS: ("CG","CC") OK
AT+CGCLASS?	+CGCLASS: "CC" OK

AT Commands Interface Guide for 6.57 Release

17.7.3 Defined Values

<class>: a string parameter which indicates the GPRS mobile class (in descending order of functionality)

- A class A (highest)
- B class B
- CG class C in GPRS only mode
- CC class C in circuit switched only mode (lowest)

Other values are reserved and will result in an ERROR response to the set command.

If the MT is GPRS attached when the set command is issued with a **<class>** = CC specified, a GPRS detach request is sent to the network.

If the MT is GSM attached when the set command is issued with a **<class>** = CG specified, a GSM detach request is sent to the network.

Class A is not supported by Wavecom GPRS software.

Remark: During switch-On in CG class, the MS always performs an automatic GPRS attach (the ATTACH-STATUS parameter of +WGPRS is ignored).

But, if the MS is not already GPRS attached when switching from B/CC class to CG class then no automatic GPRS attach is performed.

AT Commands Interface Guide for 6.57 Release

Example about automatic attachment (see remark above):

```
AT+CGCLASS?  
+CGCLASS: "B"  
OK  
AT+CGATT?  
+CGATT: 0  
OK  
AT+CGCLASS="CG"  
OK  
AT+CGATT?  
+CGATT: 0  
OK  
AT+CGATT=1  
OK  
AT+CPOF  
OK  
AT+CFUN=1  
OK  
AT+CGCLASS?  
+CGCLASS: "CG"  
OK  
AT+CGATT?  
+CGATT: 1  
OK
```

AT Commands Interface Guide for 6.57 Release

17.8 Select service for MO SMS messages +CGSMS

17.8.1 Description

The set command is used to specify the service or service preference that the MT will use to send MO SMS messages.

The read command returns the currently selected service or service preference.

The test command is used for requesting information on the currently available services and service preferences.

17.8.2 Syntax

Command	Possible Response(s)
+CGSMS= [<service>]	OK ERROR
+CGSMS?	+CGSMS: <service> OK
+CGSMS=?	+CGSMS: (list of currently available <service>s) OK
AT +CGSMS=0	OK
AT+CGSMS=?	+CGSMS: (0-3) OK

17.8.3 Defined Values

<service>: a numeric parameter which indicates the service or service preference to be used

- 0: GPRS
- 1: Circuit switched
- 2: GPRS preferred (use circuit switched if GPRS is not available)
- 3: Circuit switched preferred (use GPRS if circuit switched not available)
- Other values are reserved and will result in an ERROR response to the set command.

AT Commands Interface Guide for 6.57 Release

17.9 GPRS event reporting +CGEREP

17.9.1 Description

Set command enables or disables sending of unsolicited result codes, +CGEV: XXX from MT to TE in the case of certain events occurring in the GPRS MT or the network.

<mode> controls the processing of unsolicited result codes specified within this command.

Read command returns the current mode and buffer settings

Test command returns the modes and buffer settings supported by the MT as compound values.

17.9.2 Syntax

Command	Possible response(s)
+CGEREP=[<mode>]	OK ERROR
+CGEREP?	+CGEREP: <mode>,<bfr> OK
+CGEREP=?	+CGEREP: (list of supported <mode>s), (list of supported <bfr>s) OK

17.9.3 Defined values

<mode>:

- **0**: buffer unsolicited result codes in the MT; if MT result code buffer is full, the oldest ones can be discarded. No codes are forwarded to the TE.
- **2**: buffer unsolicited result codes in the MT when MT-TE link is reserved (e.g. in on-line data mode) and flush them to the TE when MT-TE link becomes available; otherwise forward them directly to the TE

<bfr>

- **0**: MT buffer of unsolicited result codes defined within this command is cleared when <mode> 1 or 2 entered. Only this case is supported by Wavecom.
- **1**: MT buffer of unsolicited result codes defined within this command is flushed to the TE when <mode> 2 is entered. This case is not supported by Wavecom.

With Wavecom's software, a combination of all modes is implemented. When serial link is available, indications are forwarded directly to the TE. If serial link is reserved

AT Commands Interface Guide for 6.57 Release

(e.g. in on-line data mode), if MT result code buffer is full, the oldest ones can be discarded.

Defined events

The following unsolicited result codes and the corresponding events are defined:

+CGEV: REJECT <PDP_type>, <PDP_addr>

A network request for PDP context activation occurred when the MT was unable to report it to the TE with a +CRING unsolicited result code and was automatically rejected.

+CGEV: NW REACT <PDP_type>, <PDP_addr>, [<cid>]

The network has requested a context reactivation. The <cid> that was used to reactivate the context is provided if known to the MT.

+CGEV: NW DEACT <PDP_type>, <PDP_addr>, [<cid>]

The network has forced a context deactivation. The <cid> that was used to activate the context is provided if known to the MT.

+CGEV: ME DEACT <PDP_type>, <PDP_addr>, [<cid>]

The mobile equipment has forced a context deactivation. The <cid> that was used to activate the context is provided if known to the MT.

+CGEV: NW DETACH

The network has forced a GPRS detach. This implies that all active contexts have been deactivated. These are not reported separately.

+CGEV: ME DETACH

The mobile equipment has forced a GPRS detach. This implies that all active contexts have been deactivated. These are not reported separately.

+CGEV: NW CLASS <class>

The network has forced a change of MS class. The highest available class is reported.

+CGEV: ME CLASS <class>

The mobile equipment has forced a change of MS class. The highest available class is reported.

AT Commands Interface Guide for 6.57 Release

17.10 GPRS network registration status +CGREG

17.10.1 Description

The set command controls the presentation of an unsolicited result code +CGREG: <stat> when <n>=1 and there is a change in the MT's GPRS network registration status, or code +CGREG: <stat>[,<lac>,<ci>] when <n>=2 and there is a change of the network cell.

The read command returns the status of result code presentation and an integer <stat> which shows whether the network has currently indicated the registration of the MT. Location information elements <lac> and <ci> are returned only when <n>=2 and MT is registered in the network.

17.10.2 Syntax

Command	Possible response(s)
AT+CGREG=[<n>]	OK +CGREG: stat>[,<lac>,<ci>]
AT+CGREG?	+CGREG: <n>,<stat>[,<lac>,<ci>] OK <i>+CME ERROR: <err></i>
AT+CGREG=?	+CGREG: (list of supported <n>s) OK

AT Commands Interface Guide for 6.57 Release

17.10.3 Defined values

<n>:

- 0: disable network registration unsolicited result code
- 1: enable network registration unsolicited result code +CGREG: <stat>
- 2: enable network registration and location information unsolicited result code +CGREG: <stat>[,<lac>,<ci>]

<stat>:

- 0: not registered, ME is not currently searching a new operator to register to
- 1: registered, home network
- 2: not registered, but ME is currently searching a new operator to register to
- 3: registration denied
- 4: unknown
- 5: registered, roaming

<lac>:

string type; two byte location area code in hexadecimal format.

<ci>:

string type; two byte cell ID in hexadecimal format

17.11 Request GPRS IP service 'D'

17.11.1 Description

This command causes the MT to perform whatever actions are necessary to establish communication between the TE and the external PDN.

The V.25ter 'D' (Dial) command causes the MT to enter the V.25ter online data state and, with the TE, to start the specified layer 2 protocol. The MT return CONNECT to confirm acceptance of the command prior to entering the V.25ter online data state. No further commands may follow on the AT command line.

The detailed behavior after the online data state has been entered is described briefly in clause 9, for IP, of GSM 07.60. GPRS attachment and PDP context activation procedures may take place prior to or during the PDP startup if they have not already been performed using the +CGATT and +CGACT commands.

If <cid> is supported, its usage is the same as in the +CGDATA command. The +CGDCONT, +CGQREQ, etc. commands may then be used in the modem initialization AT command string to set values for PDP type, APN, QoS etc...

If <cid> is not supported or is supported but omitted, the MT attempt to activate the context using the 'Empty PDP type' (GSM 04.08). (No PDP address or APN is sent in

AT Commands Interface Guide for 6.57 Release

this case and only one PDP context subscription record is present in the HLR for this subscriber.)

Note: If a GPRS PPP session is already running, the setting of a CSD (GSM data call) is not supported.

17.11.2 Syntax

Command	Possible Response(s)
D*<GPRS_SC_IP>[***<cid>]#	CONNECT ERROR

17.11.3 Defined Values

<GPRS_SC_IP>: (GPRS Service Code for IP) a digit string (value 99), which identifies a request to use the GPRS with IP (PDP types IP and PPP)

<cid>: a digit string which specifies a particular PDP context definition.

Example

```
ATD*99***1#
CONNECT
ATD*99***2#
ERROR
```

17.12 Network requested PDP context activation

In this mode of operation, the MT behaves like an answering modem and accepts the normal V.25ter commands associated with answering a call. If GPRS-specific configuration commands are required, they may be sent to the MT as part of the modem initialization commands.

The +CGAUTO command is used to select modem compatibility mode.

17.12.1 Automatic response to a network request for PDP context activation 'S0'

The V.25ter 'S0=n' (Automatic answer) command may be used to turn off (n=0) and on (n>0) the automatic response to a network request for a PDP context activation.

When the 'S0=n' (n>0) command is received, the MT attempt to perform a GPRS attach if it is not already attached. Failure will result in ERROR being returned to the TE. Subsequently, the MT will announce a network request for PDP context activation by issuing the unsolicited result code RING to the TE, followed by the intermediate result code CONNECT. The MT then enters V.25ter online data state and follows the

AT Commands Interface Guide for 6.57 Release

same procedure as it would after having received a +CGANS=1 with no <L2P> or <cid> values specified.

Note: The 'S0=n' (n=0) command does not perform an automatic GPRS detach.

17.12.2 Manual acceptance of a network request for PDP context activation 'A'

The V.25ter 'A' (Answer) command may be used to accept a network request for a PDP context activation announced by the unsolicited result code RING. The MT responds with CONNECT, enters V.25ter online data state and follows the same procedure as it would after having received a +CGANS=1 with no <cid> value specified. It is an error to issue the 'A' command when there is no outstanding network request.

17.12.3 Manual rejection of a network request for PDP context activation 'H'

The V.25ter 'H' or 'H0' (On-hook) command may be used to reject a network request for PDP context activation announced by the unsolicited result code RING. The MT responds with OK. It is an error to issue the 'H' command when there is no outstanding network request.

Note: This is an extension to the usage of the 'H' command that is described in ITU-T V.25ter.

17.13 Automatic response to a network request for PDP context activation +CGAUTO

17.13.1 Description

The set command disables or enables an automatic positive response (auto-answer) to the receipt of a Request PDP Context Activation message from the network. It also provides control over the use of the V.25ter basic commands 'S0', 'A' and 'H' for handling network requests for PDP context activation. The setting does not affect the issuing of the unsolicited result code RING or +CRING.

The test command returns values of <n> supported by the MT as a compound value.

When the +CGAUTO=0 command is received, the MT will not perform a GPRS detach if it is attached. Subsequently, when the MT announces a network request for PDP context activation by issuing the unsolicited result code RING or +CRING, the TE may manually accept or reject the request by issuing the +CGANS command or may simply ignore the network request.

When the +CGAUTO=1 command is received, the MT will attempt to perform a GPRS attach if it is not already attached. Failure will result in ERROR or, if enabled, +CME ERROR being returned to the TE. Subsequently, when the MT announces a network

AT Commands Interface Guide for 6.57 Release

request for PDP context activation by issuing the unsolicited result code RING or +CRING to the TE, this is followed by the intermediate result code CONNECT. The MT then enters V.25ter online data state and follows the same procedure as it would after having received a +CGANS=1 with <cid> values specified.

17.13.2 Syntax

Command	Possible response(s)
+CGAUTO=[<n>]	OK ERROR
+CGAUTO?	+CGAUTO: <n> OK
+CGAUTO=?	+CGAUTO: (0-3) OK

17.13.3 Defined values

<n>:

- 0 turn off automatic response for GPRS only
- 1 turn on automatic response for GPRS only
- 2 modem compatibility mode, GPRS only
- 3 modem compatibility mode, GPRS and circuit switched calls (default)

For <n> = 0 GPRS network requests are manually accepted or rejected by the +CGANS command.

For <n> = 1 GPRS network requests are automatically accepted according to the description above.

For <n> = 2, automatic acceptance of GPRS network requests is controlled by the 'S0' command. Manual control uses the 'A' and 'H' commands, respectively, to accept and reject GPRS requests. (+CGANS may also be used.) Incoming circuit switched calls can be neither manually nor automatically answered.

For <n> = 3, automatic acceptance of both GPRS network requests and incoming circuit switched calls is controlled by the 'S0' command. Manual control uses the 'A' and 'H' commands, respectively, to accept and reject GPRS requests. (+CGANS may also be used.) Circuit switched calls are handled as described elsewhere in this specification.

Note: In class C GPRS the modem can't receive simultaneously GPRS and GSM incoming calls.

AT Commands Interface Guide for 6.57 Release

Example

```
AT+CGAUTO=?  
+CGAUTO: (0-2)  
OK
```

```
AT+CGAUTO?  
+CGAUTO: 2  
OK
```

```
AT+CGAUTO=0  
OK
```

17.14 Manual response to a network request for PDP context activation +CGANS

17.14.1 Description

The execution command requests the MT to respond to a network request for GPRS PDP context activation which has been signaled to the TE by the RING or +CRING: unsolicited result code. The <response> parameter allows the TE to accept or reject the request.

If <response> is 0, the request is rejected and the MT returns OK to the TE.

If <response> is 1, the following procedure is followed by the MT.

PDP context activation procedures take place prior to or during the PDP startup.

One <cid> may be specified in order to provide the values needed for the context activation request.

During the PDP startup procedure the MT has the PDP type and the PDP address provided by the network in the Request PDP Context Activation message.

If a <cid> is given his information must matching with the PDP type and PDP address in the network request as follows -

The PDP type must match exactly.

The PDP addresses are considered to match if they are identical or if the address in the context definition is unspecified.

If any of this information is in conflict, the command will fail.

The context is activated using the values for PDP type and PDP address provided by the network, together with the other information found in the PDP context definition. An APN may or may not be required, depending on the application.

AT Commands Interface Guide for 6.57 Release

If no <cid> is given, the MT will attempt to activate the context using the values for PDP type and PDP address provided by the network, together with any other relevant information known to the MT. The other context parameters will be set to their default values.

If the activation is successful, data transfer may proceed.

After data transfer is complete, and the layer 2 protocol termination procedure has completed successfully, the V.25ter command state is re-entered and the MT returns the final result code OK

In the event of an erroneous termination or a failure to startup, the V.25ter command state is re-entered and the MT returns the final result code NO CARRIER or, if enabled, +CME ERROR. Attach, activate and other errors may be reported. It is also an error to issue the +CGANS command when there is no outstanding network request.

This command may be used in both normal and modem compatibility modes.

17.14.2 Syntax

Command	Possible response(s)
+CGANS=[<response>, [<cid>]]	OK ERROR
+CGANS=?	+CGANS: (list of supported <response>s), (list of supported <L2P>s) OK

17.14.3 Defined values

<response>: is a numeric parameter which specifies how the request should be responded to.

- 0 reject the request
- 1 accept and request that the PDP context be activated

If <response> is omitted it is assumed to be 0. Other values are reserved and will result in the ERROR response.

<cid>: a numeric parameter which specifies a particular PDP context definition.

Example

```
+CRING: GPRS "IP", "122.41.74.238"
```


AT Commands Interface Guide for 6.57 Release

AT+CGANS=1
CONNECT
AT+CGANS=?
+CGANS: (0-1)
OK

17.15 Show PDP address +CGPADDR

17.15.1 Description

The execution command returns a list of PDP addresses for the specified context identifiers. The test command returns a list of defined <cid>s

17.15.2 Syntax

Command	Possible response(s)
+CGPADDR=[<cid> [,<cid> [...]]]	+CGPADDR: <cid>,<PDP_addr> [<CR><LF>+CGPADDR: <cid>,<PDP_addr> [...]] OK
+CGPADDR=?	+CGPADDR: (list of defined <cid>s) OK

17.15.3 Defined values

<cid>: a numeric parameter which specifies a particular PDP context definition. If no <cid> is specified, the addresses for all defined contexts are returned.

<PDP_address>: a string that identifies the MT in the address space applicable to the PDP. The address may be static or dynamic. For a static address, it will be the one set by the +CGDCONT command when the context was defined. For a dynamic address it will be the one assigned during the last PDP context activation that used the context definition referred to by <cid>. <PDP_address> is omitted if none is available.

AT Commands Interface Guide for 6.57 Release

Example

In this example 3 CIDs are defined.

```
AT+CGPADDR=1
+CGPADDR=1,"107.210.5.4"
OK
AT+CGPADDR=?
+CGPADDR: (1,2,4)
OK
AT+CGPADDR
+CGPADDR: 1,
+CGPADDR: 2,"10.3.73.151"
+CGPADDR: 4,
```

AT Commands Interface Guide for 6.57 Release

17.16 Cellular result codes +CRC

17.16.1 Description

This command enables a more detailed ring indication, in case of incoming call (voice or data). Instead of the string "RING", an extended string is used to indicate which type of call is ringing (e.g. +CRING: VOICE).

These extended indications are:

+CRING: ASYNC	for asynchronous transparent
+CRING: REL ASYNC	for asynchronous non-transparent
+CRING: VOICE	for normal speech.
+CRING: FAX	for fax calls
+CRING: GPRS	GPRS network request for PDP context activation

If the MT is unable to announce to the TE the network's request (for example it is in V.25ter online data state) the MT rejects the request. No corresponding unsolicited result code is issued when the MT returns to a command state.

17.16.2 Syntax

See 11.5

17.16.3 Defined values

No parameter.

AT Commands Interface Guide for 6.57 Release

17.17 Service reporting control +CR

17.17.1 Description

This command enables a more detailed service reporting, in case of data **incoming or outgoing call**. Before sending the CONNECT response to the application, the GSM Wireless CPU will precise the type of data connection that have been established.

These report types are:

+CR: ASYNC	For asynchronous transparent
+CR: REL ASYNC	For asynchronous non-transparent
+CR: GPRS	For GPRS

17.17.2 Syntax

Command syntax: AT+CR

Command	Possible responses
AT+CR=0 <i>Note: Extended reports disabled</i>	OK <i>Note: Command valid</i>
AT+CR=1 <i>Note: Extended reports enabled</i>	OK <i>Note: Command valid</i>

17.17.3 Defined values

No parameter.

AT Commands Interface Guide for 6.57 Release

17.18 Extended error report +CEER

17.18.1 Description

This command gives the reason of the call release when the last call setup (originating or answering) failed.

New indication for GPRS is the reason of the last unsuccessful PDP context activation and the last GPRS detach or PDP context activation.

17.18.2 Syntax

Command syntax: AT+CEER

Command	Possible responses
ATD123456789 ; <i>Note: Outgoing voice call</i>	NO CARRIER <i>Note: Call setup failure</i>
AT+CEER <i>Note: Ask for reason of release</i>	+CEER: Error <xxx> OK <i>Note: <xxx>is the cause information element values form GSM recommendation 04.08 or specific Call accepted</i>

The cause information element from GSM 04.08 is given below in §19 Codes and values for specific GPRS failure causes (values 224 to 238).

The "NO CARRIER" indicates that the AT+CEER information is available for a failure diagnostic.

17.18.3 Defined values

No parameters.

AT Commands Interface Guide for 6.57 Release

17.19 GPRS parameters customization: +WGPRS

17.19.1 Description

This command modifies some Wavecom GPRS parameters:

- the ATTACH-STATUS (the ME does or not perform automatically a GPRS attachment after initialization),
- the PDP-INIT-STATUS (activates automatically or not some defined PDP contexts after initialization) and
- the user-defined multislot class. This parameter represents the GPRS class chosen by the user to perform power saving (by reducing TX (or uplink) time slots).

In addition, this command allows to

- set automatically "ACTIVABLE" some defined PDP contexts after initialization
- set some parameters for PALM® OS software: PPP Silent Mode (PPP waits for PPP Client to start the dialog) and Slow CONNECT (due to the delay of the processing of PALM® OK, the CONNECT is sent one second after the dialing command request)

IMPORTANT NOTE: The Wireless CPU must be rebooted to activate the new setup except for <mode> 3, 5, 6 and 7 (please refer to Defined Values paragraph).

17.19.2 Syntax

Command syntax: AT+WGPRS=<mode>,<parameter>,[<cid>],[<class>]

Command	Possible responses
AT+WGPRS=?	+WGPRS: <mode>, <parameter1>,[<cid>] [<CR><LF>+WGPRS: <mode>, <parameter>,[<cid>] [...]] OK

AT Commands Interface Guide for 6.57 Release

Command	Possible responses
AT+WGPRS?	+WGPRS:<mode>(list of supported <parameter>),[(list of supported <cid>)]<CR><LF>+WGPRS:<mode>(list of supported <parameter>),[(list of supported <cid>)] [...] OK
AT+WGPRS=2,1,3 <i>Note: set ACTIVABLE to ON on PDP context 3</i>	OK
AT+WGPRS=7,1 <i>Note: set automatic re-attachment to the network and reactivation of PDP context in case of change of operator for MCC/MNC</i>	OK
AT+WGPRS=4,,8 <i>Note: choose GPRS multislots class 8</i>	OK
AT+WGPRS=? <i>Note: Request ranges of values</i>	+WGPRS: (0-7),(0-1),(0-4),(2,8,10, 12) OK

AT Commands Interface Guide for 6.57 Release

Command	Possible responses
AT+WGPRS?	
<u>Note:</u>	
- <u>Automatic re-attachment at init not activated</u>	+WGPRS: 0,0
- <u>Automatic reactivation of PDP context at init not activated</u>	+WGPRS: 1,0
- <u>3 PDP contexts, and automatic reactivation only for Cid 1</u>	+WGPRS: 2,1,1 +WGPRS: 2,0,2 +WGPRS: 2,0,3 +WGPRS: 2,0,4
- <u>PPP silent mode activated</u>	+WGPRS: 3,1
- <u>GPRS class is 8</u>	+WGPRS:4,8
- <u>GPRS slow connect activated</u>	+WGPRS:5,1
- <u>PPP filtering activated</u>	+WGPRS:6,1
- <u>Automatic re-attachment and PDP reactivation at operator border areas</u>	+WGPRS:7,1
	OK

AT Commands Interface Guide for 6.57 Release

17.19.3 Defined Values

<mode>: a numeric parameter which specifies a Wavecom GPRS parameter.

- 0 ATTACH-STATUS (the ME don't make automatically a GPRS attachment after init)
- 1 PDP-INIT-STATUS (declare some PDP contexts liable to be activated automatically after initialization by <mode>=2)
- 2 Set ACTIVABLE automatically after init a define PDP context
- 3 PPP silent mode
- 4 definition of the GPRS multislot class.
- 5 Slow CONNECT for PALM® OS
- 6 PPP Filtering
- 7 Automatic GPRS roaming inter-operator: if activated, ME automatically re-attaches itself to the network and reactivates its PDP context by changing of operator when reaching border areas

Notes:

If **<mode>**=0, 1, 3, 4, 5, 6 or 7 **<cid>** and **<class>** values will be ignored.

If **<mode>**=0, 1, 2, 3, 5 or 6, **<class>** value will be ignored.

If **<mode>**=4, **<parameter>** and **<cid>** values will be ignored. Wireless CPU must be restarted to take the modification into account.

PPP Filtering is a test-purpose functionality. It avoids sending on the radio link some OS-specific frames, for accurate transfer rate measurements.

<parameter>: a numeric parameter that controls the operation defined by **<mode>** if it is equal to 0, 1, 2 or 3.

- 0 operation OFF (disabled)
- 1 operation ON (enabled)

<cid>: (PDP Context Identifier) a numeric parameter which specifies a particular PDP context definition. The parameter is local to the TE-MT interface and is used in other PDP context-related commands. Range of values is 0 to 4.

AT Commands Interface Guide for 6.57 Release

<class>

GPRS multislot class number. It may be lower than the maximum possible class. Possible values are 2, 8, 10, 12. Refer to doc ref [6] for more information about GPRS multislot classes. Note that the range of values is also Wireless CPU dependant.

Multislot class	Maximum number of slots			Minimum number of slots				Type of MS
	Rx	Tx	Sum	T _{ta}	T _{tb}	T _{ra}	T _{rb}	
2	2	1	3	3	2	3	1	1
8	4	1	5	3	1	2	1	1
10	4	2	5	3	1	2	1	1
12	4	4	5	2	1	2	1	1

NB: Type 1 MS are not required to transmit and receive at the same time.

Remark

When the Wireless CPU is set in "CG" class, the ME always make automatically a GPRS attachment after init, so AT+WGPRS? always give +WGPRS: 0,0 for the parameter 0.

***Note:** Default value for mode 7 is 0; in this case, no automatic GPRS reconnection to new operator is done when reaching border areas.*

AT Commands Interface Guide for 6.57 Release

17.20 Full AT GPRS commands examples

17.20.1 Activation of an IP PDP context

Example 1:

```
AT +CGDCONT=1, "IP", "internet"; +CGDCONT=2, "IP", "abc.com"  
OK  
ATD*99***1#  
CONNECT
```

Example 2:

```
AT +CGCLASS="CG"  
OK  
+CGREG: 1  
AT +CGDCONT=1, "IP", "internet"  
OK  
AT +CGQREQ=1,1,4,5,2,14  
OK  
AT +CGQMIN=1,1,4,5,2,14  
OK  
AT +CGATT=1  
OK  
AT +CGACT=1,1  
OK
```

*Remark about +CGDATA: the goal of this command is the same than ATD*99****

```
AT +CGDATA=1  
CONNECT
```

.....

Data transfer

.....

```
+CGEV: NW DETACH
```

AT Commands Interface Guide for 6.57 Release

17.20.2 Network request

AT+CGAUTO=0

OK

+CRING: GPRS "IP", "211.45.89.152"

AT+CGANS=1

CONNECT

.....*Data transfer*

18 Other AT commands

18.1 V.25 ter recommendation

The commands not listed in this document are not supported. For these commands, the product will then answer with "ERROR".

All modulation control, error control and data compression commands are not recognized. An "ERROR" string will be returned.

18.2 GSM 07.05 recommendation

All the 07.05 commands not described in this manual are not implemented. The product will then answer "ERROR" to these commands.

18.3 GSM 07.07 recommendation

All the 07.07 commands not described in this manual are not implemented. The product will then answer "ERROR" to these commands.

AT Commands Interface Guide for 6.57 Release

19 Codes and values

See appendixes document.

AT Commands Interface Guide for 6.57 Release

20 Examples

See appendixes document.

21 Technical appendixes

See appendixes document.

22 Command execution and dependence to SIM

See appendixes document.

23 Interoperability

See appendixes document.

AT Commands Interface Guide for 6.57 Release

24 Alphabetical Index for AT commands and responses

AT command / response	Type of Command	Paragraph Nb
\N	Data	11.12
%C	Data	11.9
%D	Call Control	5.8
&C	V24-V25	14.4
&D	V24-V25	14.5
&F	V24-V25	14.14
&S	V24-V25	14.6
&T	V24-V25	14.12
&V	V24-V25	14.15
&W	V24-V25	14.11
+ADC	Specific	15.3
+CACM	Supplementary services	10.9
+CALA	General	4.17
+CAMM	Supplementary services	10.10
+CAOC	Supplementary services	10.8
+CBST	Data	11.2
+CCED	Specific	15.1
+CCFC	Supplementary services	10.1
+CCID	General	4.8
+CCLK	General	4.16
+CCUG	Supplementary services	10.16
+CCWA	Supplementary services	10.4
+CEER	Call Control, GPRS	5.5, 19.18
+CIEV	Specific	15.4
+CFUN	General	4.12
+CGACT	GPRS	19.5
+CGANS	GPRS	19.14
+CGATT	GPRS	19.4
+CGAUTO	GPRS	19.13
+CGCLASS	GPRS	19.7
+CGDATA	GPRS	19.6

AT Commands Interface Guide for 6.57 Release

AT command / response	Type of Command	Paragraph Nb
+CGDCONT	GPRS	19.1
+CGEREP	GPRS	19.9
+CGMI	General	4.1
+CGMM	General	4.2
+CGMR	General	4.3
+CGPADDR	GPRS	19.15
+CGQMIN	GPRS	19.3
+CGQREQ	GPRS	19.2
+CGREG	GPRS	19.10
+CGSMS	GPRS	19.8
+CGSN	General	4.4
+CHLD	Supplementary services	10.12
+CICB	Call Control	5.10
+CIMI	General	4.7
+CIND	General	4.23
+CKEV	Specific	15.4
+CKPD	General	4.15
+CLCC	Supplementary services	10.13
+CLCK	Security, Supplementary services	7.4, 10.2
+CLIP	Supplementary services	10.6
+CLIR	Supplementary services	10.5
+CMEC	General	4.22
+CMEE	General	4.14
+CMER	Specific	15.4
+CMGD	Short Messages	9.16
+CMGF	Short Messages	9.5
+CMGL	Short Messages	9.11
+CMGR	Short Messages	9.10
+CMGS	Short Messages	9.12
+CMGW	Short Messages	9.13
+CMSS	Short Messages	9.14
+CMUT	Call Control	5.13
+CMUX	General	4.x.x.
+CNMA	Short Messages	9.3
+CNMI	Short Messages	9.9

AT Commands Interface Guide for 6.57 Release

AT command / response	Type of Command	Paragraph Nb
+CNUM	Phonebook	8.8
+COLP	Supplementary services	10.7
+COPN	Network services	6.7
+COPS	Network services	6.2
+CPAS	General	4.13
+CPBF	Phonebook	8.5
+CPBN	Phonebook	8.7
+CPBP	Phonebook	8.5
+CPBR	Phonebook	8.3
+CPBS	Phonebook	8.2
+CPBW	Phonebook	8.4
+CPHS	Specific	15.27
+CPIN	Security	7.1
+CPIN2	Security	7.2
+CPINC	Security	7.3
+CPLS	Network services	6.5
+CPMS	Short Messages	9.4
+CPOF	General	4.11
+CPOL	Network services	6.6
+CPUC	Supplementary services	10.11
+CPWD	Security	7.5
	Supplementary services	10.3
+CR	Data	11.4
	GPRS	19.17
+CRC	Data	11.5
	GPRS	19.16
+CREG	Network services	6.3
+CRES	Short Messages	9.7
+CRLP	Data	11.7
+CRMP	General	4.18
+CRSL	General	4.19
+CRSM	General (RIL)	4.21
+CSAS	Short Messages	9.6
+CSCA	Short Messages	9.17
+CSCB	Short Messages	9.18
+CSCS	General	4.5

AT Commands Interface Guide for 6.57 Release

AT command / response	Type of Command	Paragraph Nb
+CSDH	Short Messages	9.8
+CSIM	General (RIL)	4.20
+CSMP	Short Messages	9.15
+CSMS	Short Messages	9.2
+CSNS	Call Control	5.11
+CSQ	Network services	6.1
+CSSN	Supplementary services	10.14
+CSVM	Phonebook	8.11
+CUSD	Supplementary services	10.15
+DOPT	Data	11.8
+DR	Data	11.11
+DS	Data	11.10
+ECHO	Call Control	5.15
+FBOR	Class 2	13.6
+FBUF	Class 2	13.7
+FCLASS	Data	11.3
+FCFR	Class 2	13.14
+FCON	Class 2	13.14
+FCQ	Class 2	13.8
+FCR	Class 2	13.9
+FCSI	Class 2	13.14
+FDCC	Class 2	13.11
+FDCS	Class 2	13.14
+FDIS	Class 2	13.10, 13.14
+FDR	Class 2	13.2
+FDT	Class 2	13.1
+FET	Class 2	13.3, 13.14
+FHNG	Class 2	13.14
+FPTS	Class 2	13.4, 13.14
+FTSI	Class 2	13.14
+FK	Class 2	13.5
+FLID	Class 2	13.12
+FPHCTO	Class 2	13.13
+FRH	Fax	12.4
+FRM	Fax	12.2

AT Commands Interface Guide for 6.57 Release

AT command / response	Type of Command	Paragraph Nb
+FRS	Fax	12.6
+FTH	Fax	12.3
+FTM	Fax	12.1
+FTS	Fax	12.5
+GCAP	General	4.9
+ICF	V24-V25	14.2
+IFC	V24-V25	14.3
+ILRR	Data	11.6
+IPR	V24-V25	14.1
+SIDET	Call Control	5.16
+SPEAKER	Call Control	5.14
+STCR	SIM toolkit (unsolicited response)	18.3.4
+STGI	SIM Toolkit	18.3.3
+STGR	SIM Toolkit	18.3.5
+STIN	SIM Toolkit	18.3.2
+STSF	SIM Toolkit	18.3.1
+VGR	Call Control	5.12
+VGT	Call Control	5.12
+VIP	Call Control	5.17
+VTD	Call Control	5.6
+VTS	Call Control	5.6
+W32K	Specific	15.22
+WAC	Specific	15.10
+WAIP	Phonebook	8.9
+WALS	Specific	15.40
+WATH	Specific	15.48
+WBCI	Specific	15.36
+WBCM	Specific	15.33
+WBHV	Specific	15.54
+WBM	Specific	15.47
+WBR	Specific	15.45
+WBW	Specific	15.46
+WCCS	Specific	15.25
+WCBM	Short Messages	9.19
+WCDM	Specific	15.23

AT Commands Interface Guide for 6.57 Release

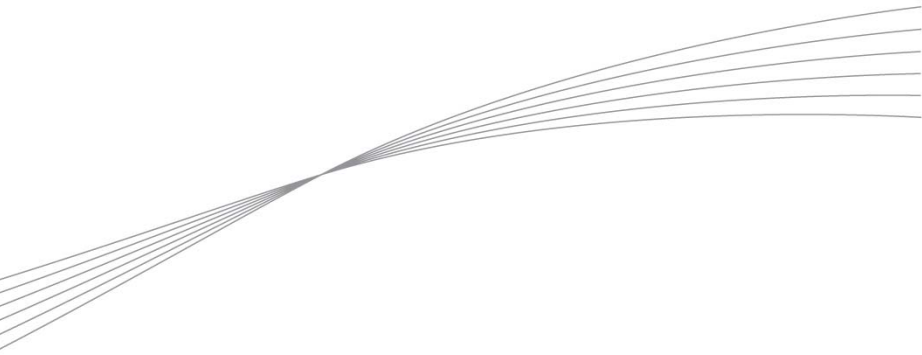
AT command / response	Type of Command	Paragraph Nb
+WCDP	Specific	15.38
+WCFM	Specific	15.36
+WCPI	Specific	15.31
+WCSP	Specific	15.32
+WCTM	Specific	15.53
+WDCI	Specific	15.29
+WDCP	Phonebook	8.10
+WDIAG	Specific	15.58
+WDIAGI	Specific	15.59
+WDOP	Specific	15.17
+WDR	Specific	15.15
+WDTMF	Specific	15.12
+WDWL	Specific	15.13
+WFM	Specific	15.35
+WGPRS	GPRS	17.19
+WHWV	Specific	15.16
+WIMEI	Specific	15.49
+WIND	Specific	15.2
+WIOM	Specific	15.9
+WIOR	Specific	15.7
+WIOW	Specific	15.8
+WLCK	Specific	15.26
+WLOC	Specific	15.44
+WLPR	Specific	15.5
+WLPW	Specific	15.6
+WMBN	Specific	15.39
+WMBS	Specific	15.51
+WMGO	Short Messages	9.21
+WMIR	Specific	0
+WMSC	Short Messages	9.20
+WMSN	Specific	15.52
+WMUX	V24-V25	14.17
+WNON	Specific	15.30
+WOPEN	Specific	15.41
+WOLM	Specific	6.4

AT Commands Interface Guide for 6.57 Release

AT command / response	Type of Command	Paragraph Nb
+WOPN	Network services	6.5
+WPCS	General	4.6
+WRIM	Specific	15.21
+WRST	Specific	15.42
+WSCAN	Specific	15.20
+WSST	Specific	15.43
+WSSW	Specific	15.24
+WSTR	Specific	15.19
+WSVG	Specific	15.18
+WSVN	Specific	15.50
+WTONE	Specific	15.11
+WUSS	Short Messages	9.22
+WVMI	Specific	15.28
+WVR	Specific	15.14
A	Call Control GPRS	5.3 17.12.2
A/	General	4.10
D	Call Control GPRS	5.1 17.11
DL	Call Control	5.7
E	V24-V25	14.13
H	Call Control GPRS	5.2 17.12.3
I	V24-V25	14.16
O	V24-V25	14.7
Q	V24-V25	14.8
S0	Call Control GPRS	5.9 17.12.1
V	V24-V25	14.9
Z	V24-V25	14.10
+WMFM	Specific	15.56
+WOPENRES	Specific	15.57
+WMCP	Short messages	9.23
+WPGW	Phonebook groups	8.13
+WPGR	Phonebook groups	8.14
+WPGS	Phonebook groups	8.15

AT Commands Interface Guide for 6.57 Release

AT command / response	Type of Command	Paragraph Nb
+WCOS	Phonebook	8.12



wavecom 

Make it wireless

WAVECOM S.A. - 3 esplanade du Foncet - 92442 Issy-les-Moulineaux Cedex - France - Tel: +33(0)1 46 29 08 00 - Fax: +33(0)1 46 29 08 08
Wavecom, Inc. - 4810 Eastgate Mall - Second Floor - San Diego, CA 92121 - USA - Tel: +1 858 362 0101 - Fax: +1 858 558 5485
WAVECOM Asia Pacific Ltd. - Unit 201-207, 2nd Floor, Bio-Informatics Centre - No.2 Science Park West Avenue - Hong Kong Science Park, Shatin
- New Territories, Hong Kong

www.wavecom.com